

GARMIN

CRADLE K6

P11186 | OCT 2025

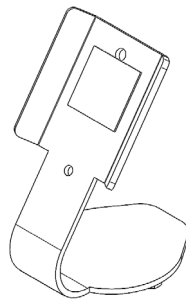
ASSEMBLY DIAGRAM

Tools Required



Parts

(A) x1



(B) x1

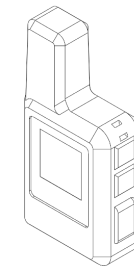
T20 BUTTON HEAD
M4X6MM



(C) x1

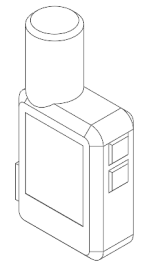
T10 BUTTON HEAD
M3X6MM

Product



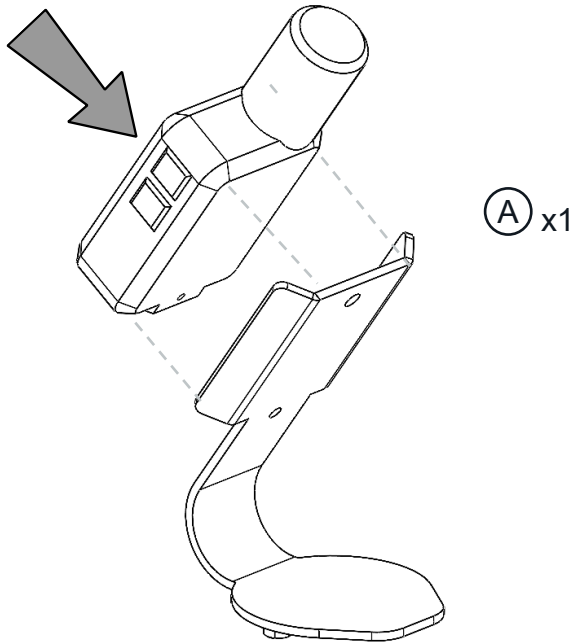
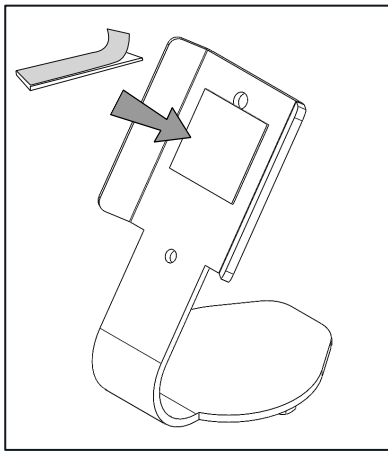
INREACH MINI

OR



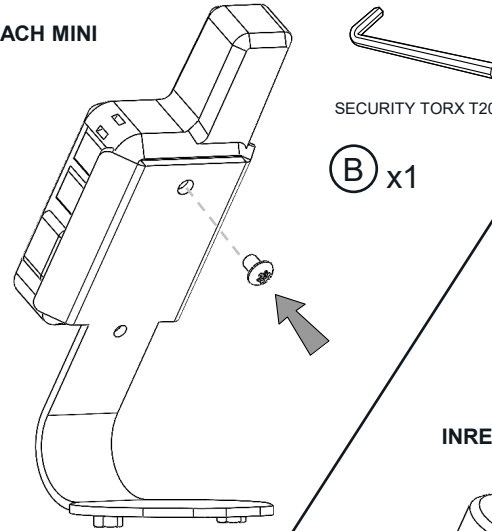
INREACH MINI 3

1



2

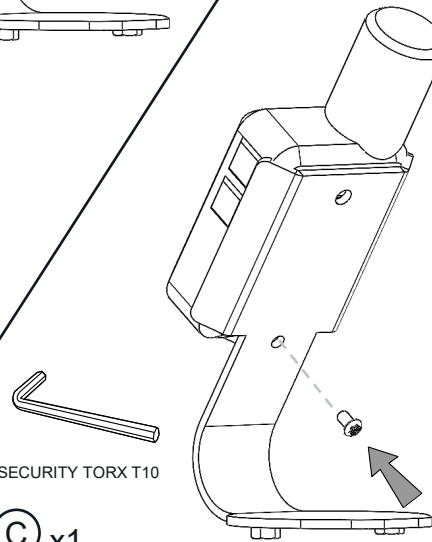
INREACH MINI



SECURITY TORX T20

(B) x1

INREACH MINI 3



SECURITY TORX T10

(C) x1

3

