

GARMIN

CRADLE O3 – MID 2 CTU

P11186

27/10/2025

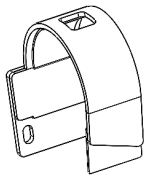
### INSTALL GUIDE

#### TOOLS REQUIRED – SUPPLIED

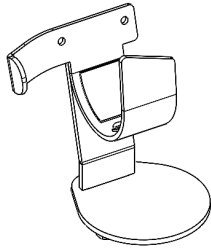


T20 SECURITY TORX KEY

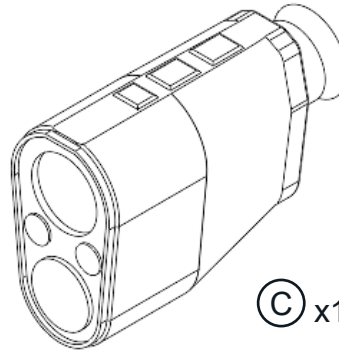
#### Parts



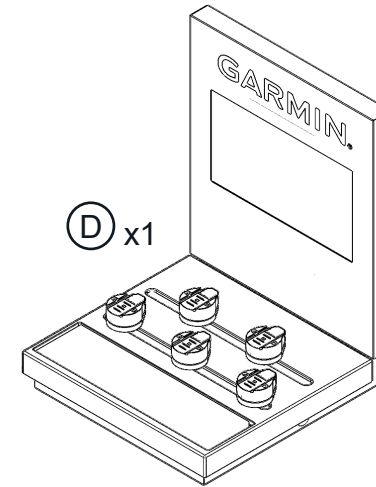
(A) x1



(B) x1



(C) x1



(D) x1



(1) x2

M4x6MM T20 SECURITY TORX BUTTON HEAD



(2) x2

M4x12MM T20 SECURITY TORX CSK HEAD



(3) x1

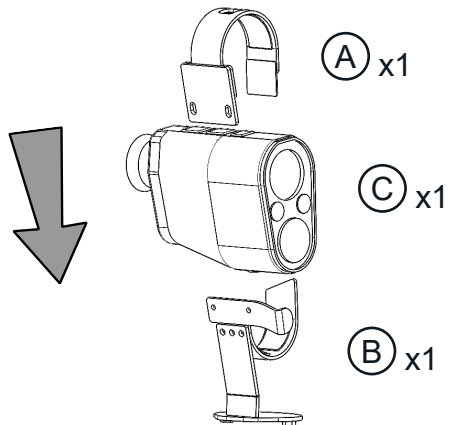
M6x8MM T20 SECURITY SCREW BUTTON HEAD



(4) x2

SPRING WASHER

## 1 ADDING PRODUCT TO CRADLE

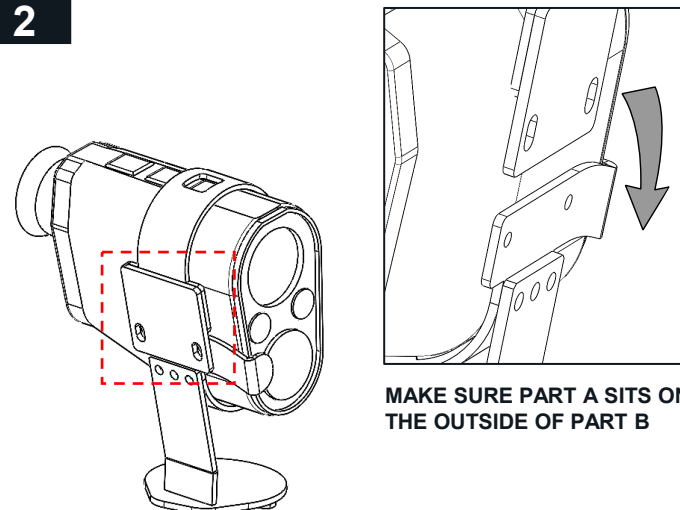


(A) x1

(C) x1

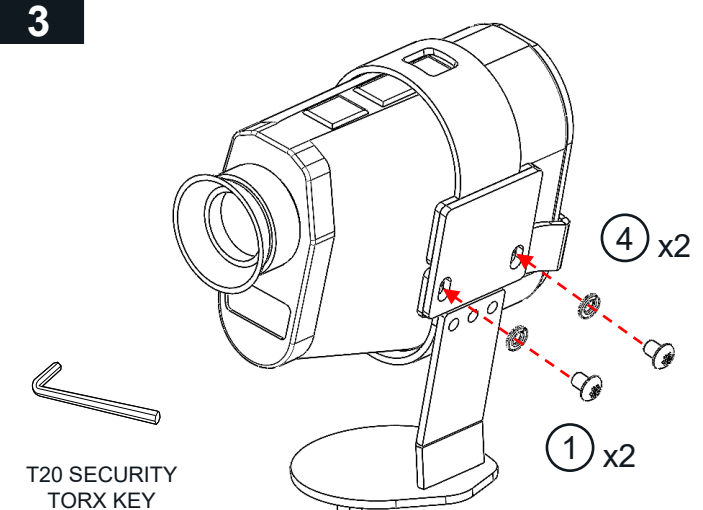
(B) x1

## 2



MAKE SURE PART A SITS ON THE OUTSIDE OF PART B

## 3

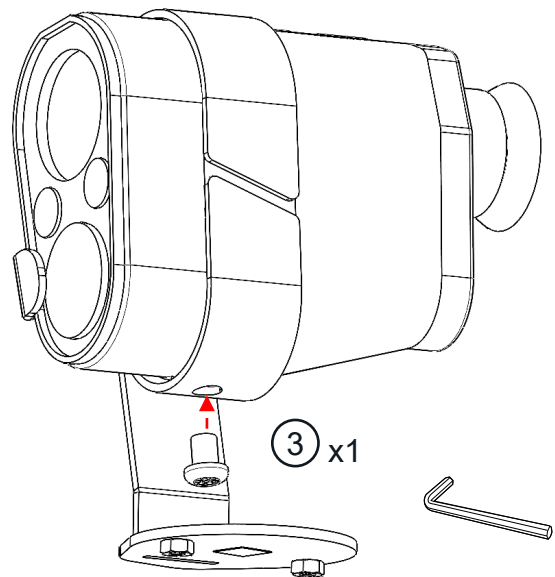


T20 SECURITY TORX KEY

(4) x2

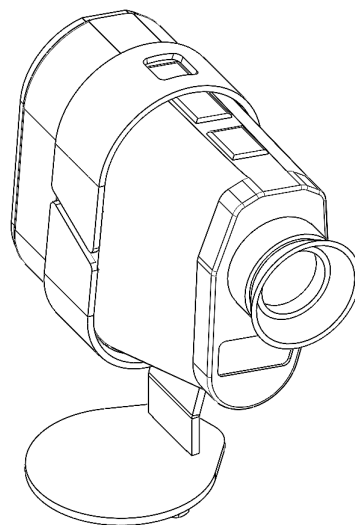
(1) x2

4



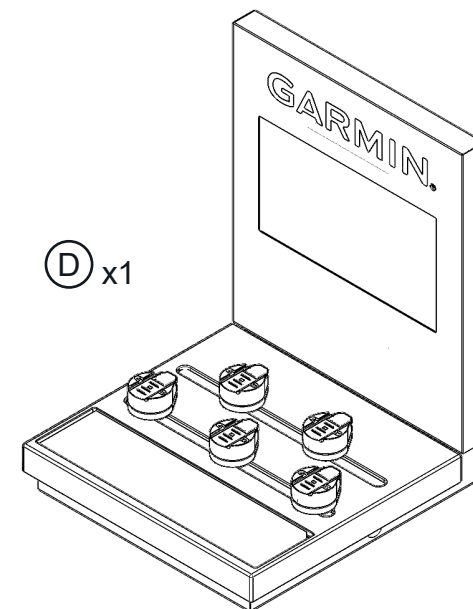
T20 SECURITY TORX KEY

5

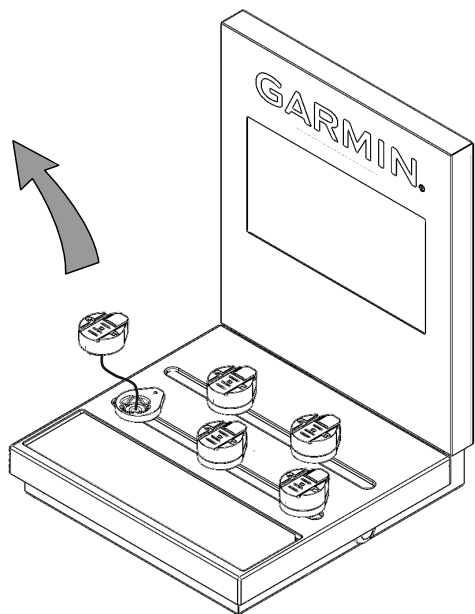


6

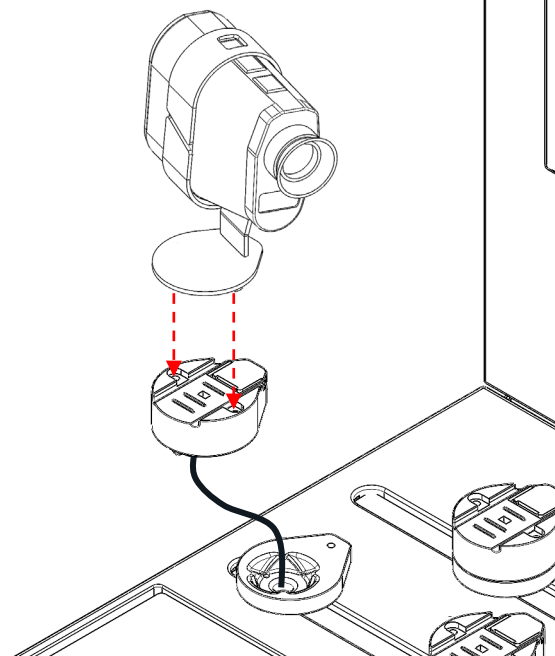
FITTING CRADLE TO MID 2 CTU



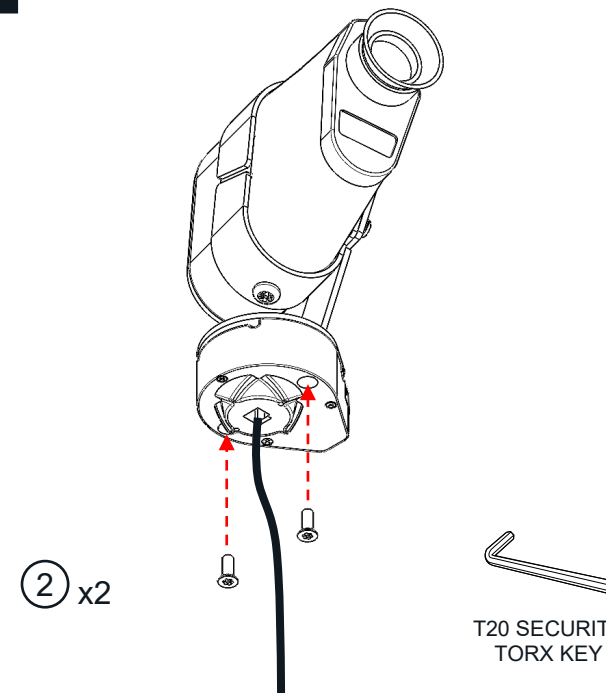
7



8

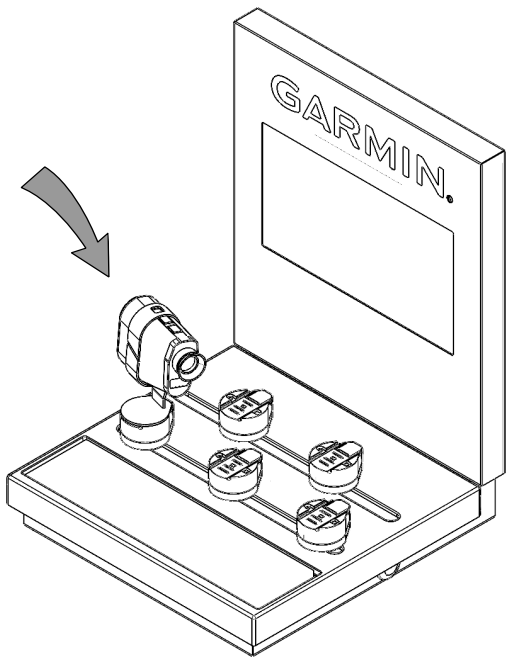


9



T20 SECURITY TORX KEY

10



11

12