

GARMIN

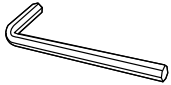
CRADLE O3 - MINI PLINTH

P11186

27/10/2025

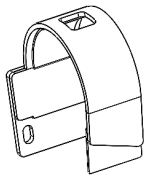
INSTALL GUIDE

TOOLS REQUIRED – SUPPLIED

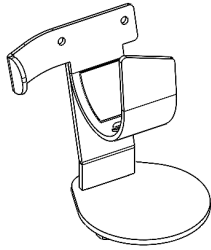


T20 SECURITY TORX KEY

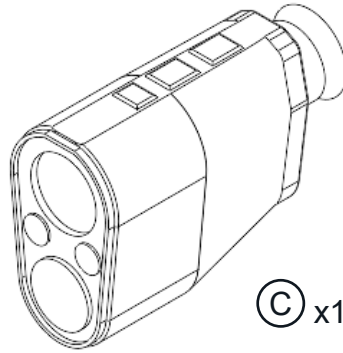
Parts



(A) x1

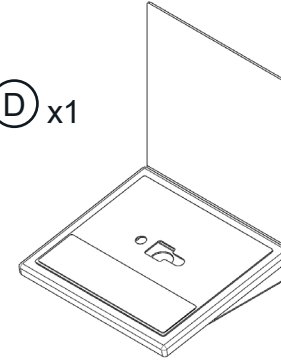


(B) x1



(C) x1

(D) x1



(1) x2

M4x6MM T20 SECURITY TORX BUTTON HEAD



(2) x2

M4x12MM T20 SECURITY TORX BUTTON HEAD



(3) x2

M4 WASHER



(4) x1

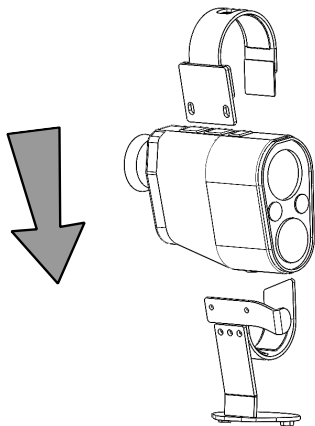
M6x8MM T20 SECURITY SCREW BUTTON HEAD



(5) x2

SPRING WASHER

1 ADDING PRODUCT TO CRADLE

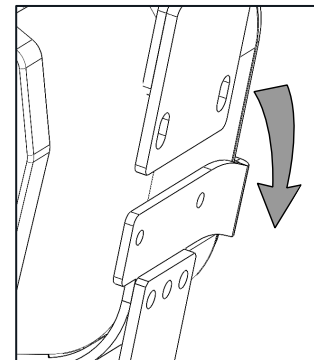
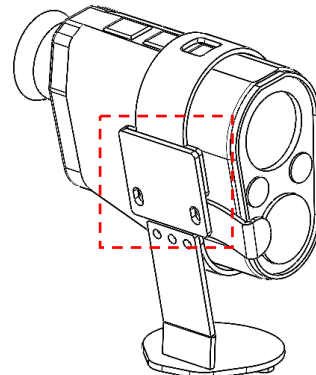


(A) x1

(C) x1

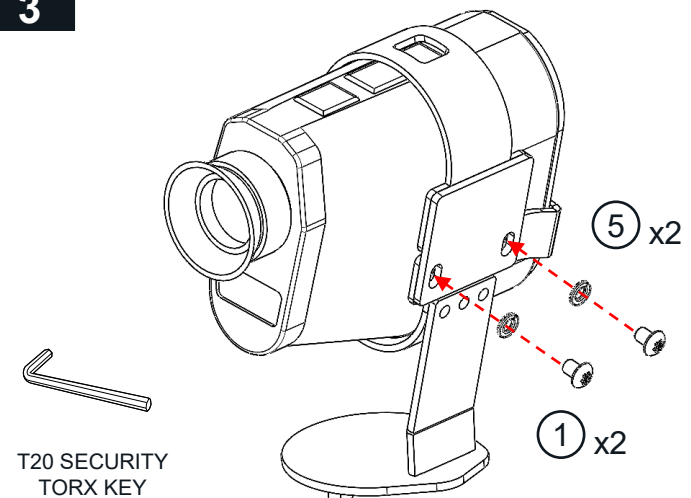
(B) x1

2



MAKE SURE PART A SITS ON THE OUTSIDE OF PART B

3

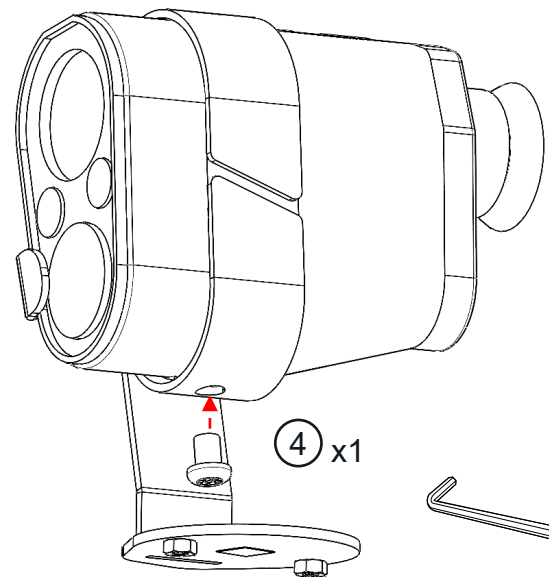


T20 SECURITY TORX KEY

(5) x2

(1) x2

4

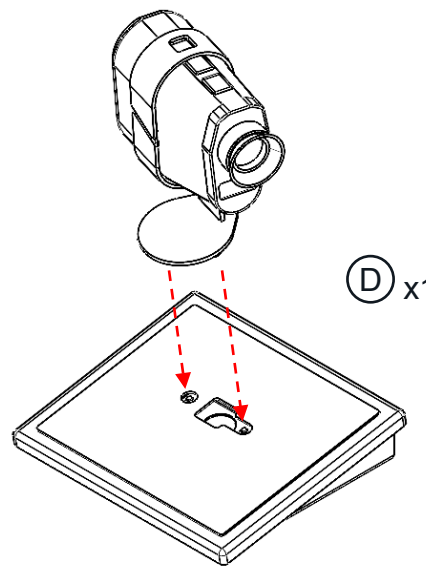


4 x1

T20 SECURITY TORX KEY

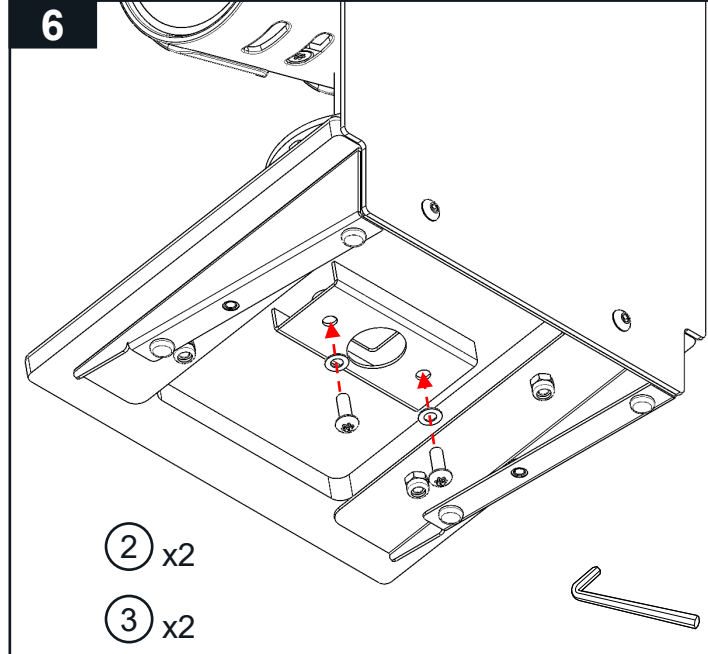
5

FITTING CRADLE TO MINI PLINTH



D x1

6

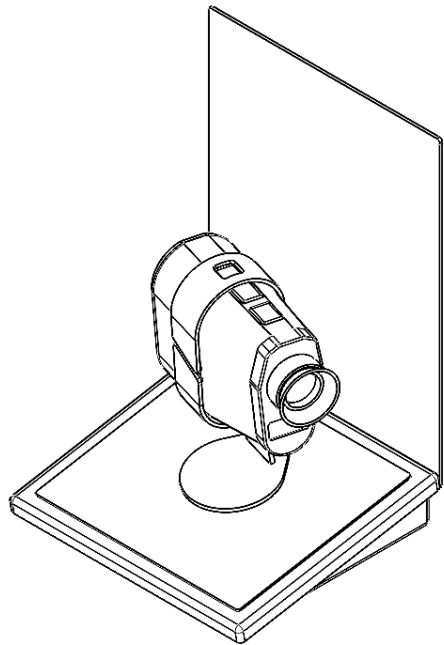


2 x2

3 x2

T20 SECURITY TORX KEY

7



8

9