

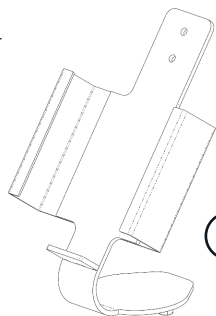
GARMIN

CRADLE P5

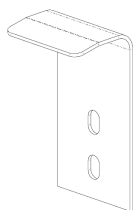
P11186 23/02/2026 Rev A

ASSEMBLY GUIDE

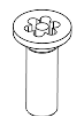
Parts



A x1



B x2



C x2
M4x12MM T20
CSK

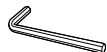


D x2
M4x6MM T20
BUTTON HEAD



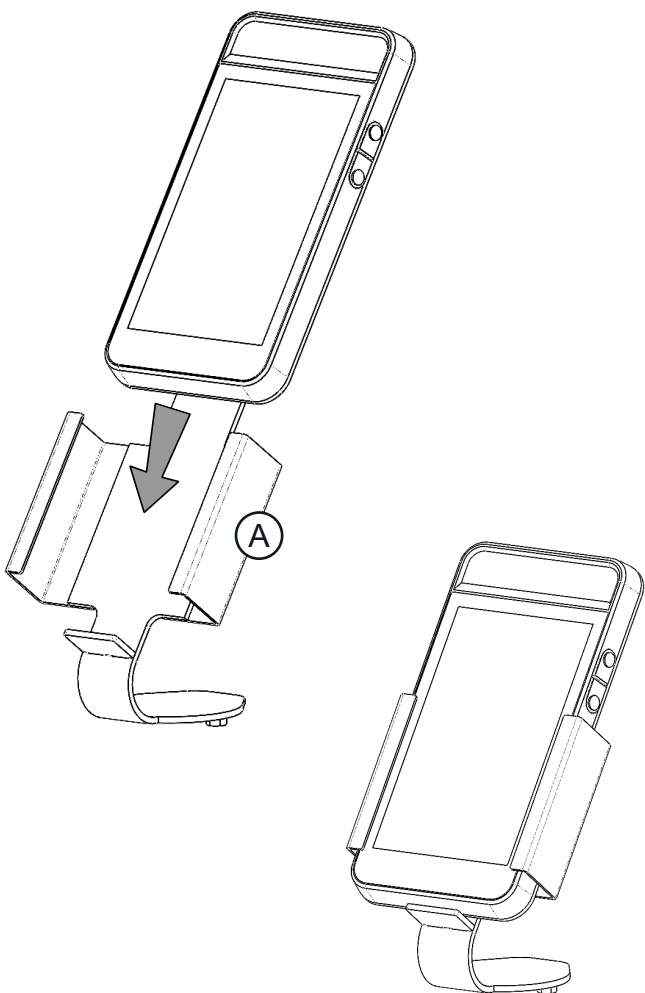
E x2
WASHER

Tools Required (supplied)

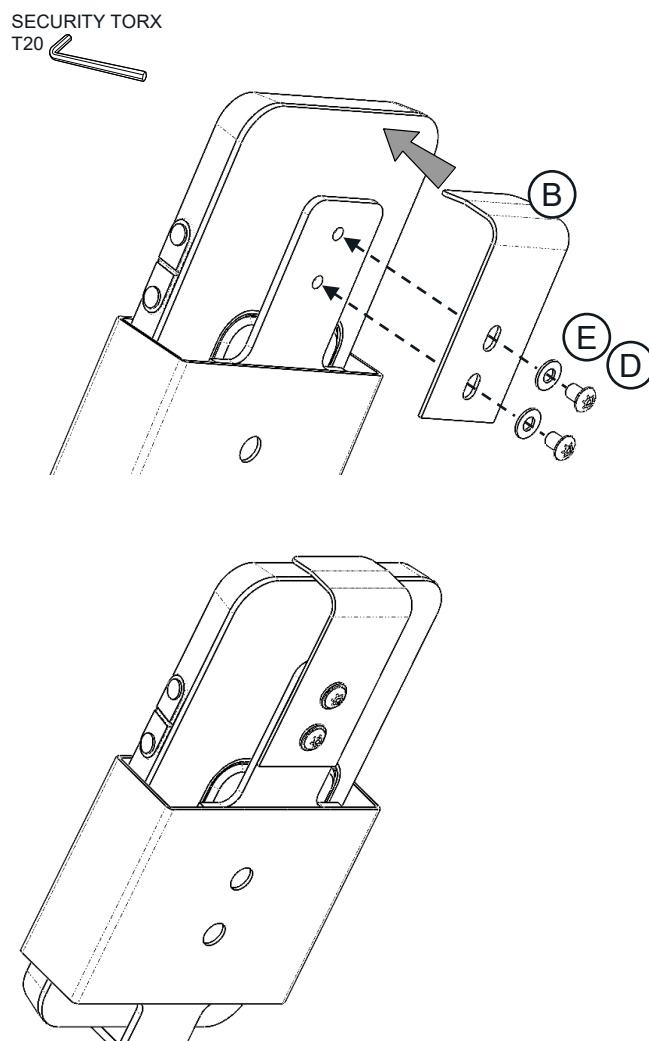


SECURITY TORX
T20

1 SLIDE PRODUCT INSIDE THE MAIN BRACKET, MAKE SURE IT IS PUSHED ALL THE WAY TO THE BOTTOM.



2 ATTACH THE OTHER BRACKET OVER THE TOP OF THE PRODUCT WITH WASHERS AND SCREWS.



3 FIX CRADLE TO SECURITY MOUNT USING CSK SCREWS.

