

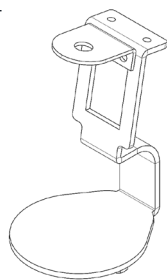
GARMIN

CRADLE R11

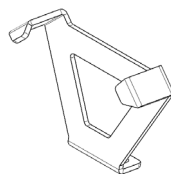
P11186 23/02/2026 Rev A

ASSEMBLY GUIDE

Parts



A x1



B x2



C x2
M4x12MM T20
CSK

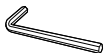


D x2
M4x6MM T20
BUTTON HEAD



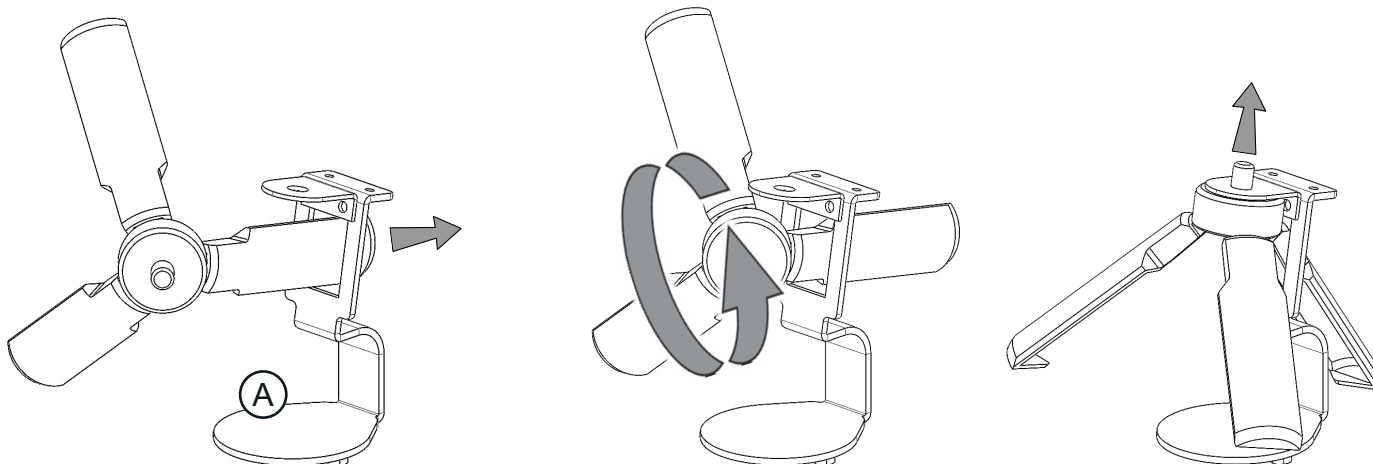
E x2
WASHER

Tools Required (supplied)

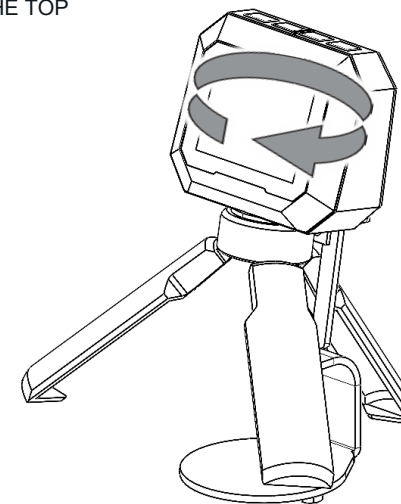


SECURITY TORX
T20

1 OPEN THE PRODUCT TRIPOD AND SLIDE ONE LEG THROUGH THE METAL BRACKET. ROTATE THE TRIPOD AND PASS THE THREADED STUD THROUGH THE HOLE IN THE METAL BRACKET.



2 SCREW ON THE TOP PART OF THE PRODUCT.



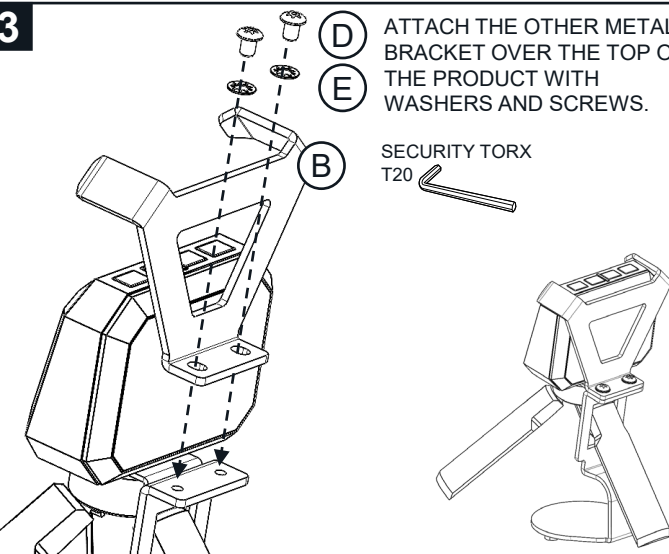
3 ATTACH THE OTHER METAL BRACKET OVER THE TOP OF THE PRODUCT WITH WASHERS AND SCREWS.

D

E

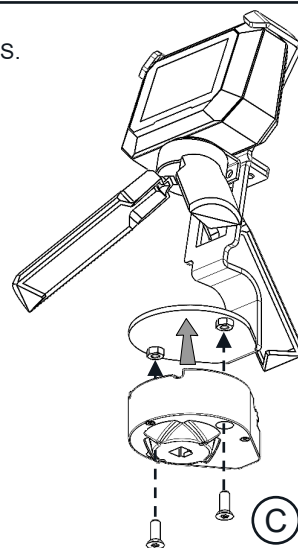
SECURITY TORX
T20

B



4 FIX CRADLE TO SECURITY MOUNT USING CSK SCREWS.

SECURITY TORX
T20



C

