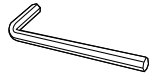


GARMIN

CRADLE X3 INDEX SLEEP
P11186 | 23/07/2025

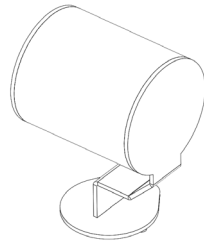
ASSEMBLY GUIDE

TOOLS REQUIRED – SUPPLIED

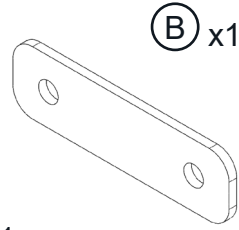


SECURITY TORX
T20 ALLEN KEY

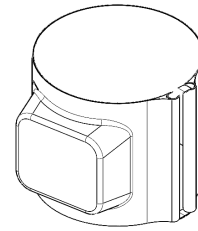
Parts



(A) x1

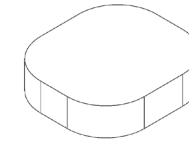


(B) x1



(C) x1

PRODUCT SUPPLIED
BY CLIENT



(D) x1

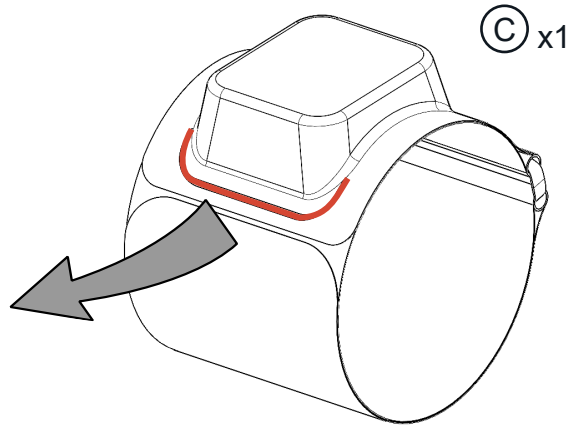
DUMMY POD



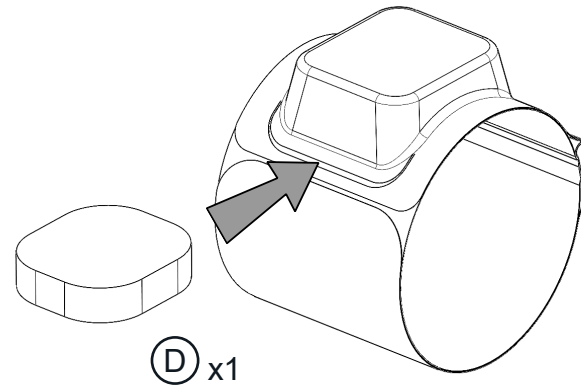
(E) x2

M4x12 SECURITY TORX
T20 BUTTON HEAD

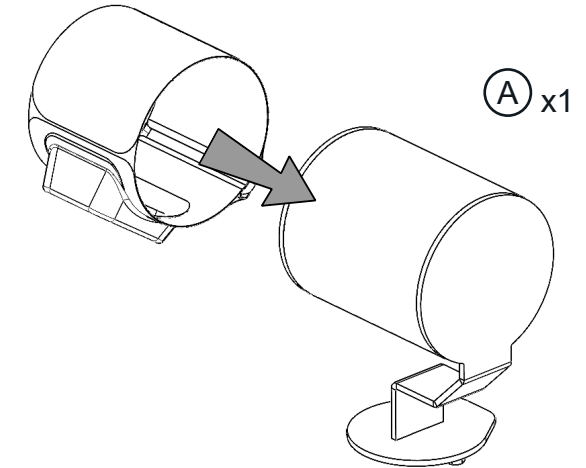
1 Peel back Velcro on Index Sleep product.



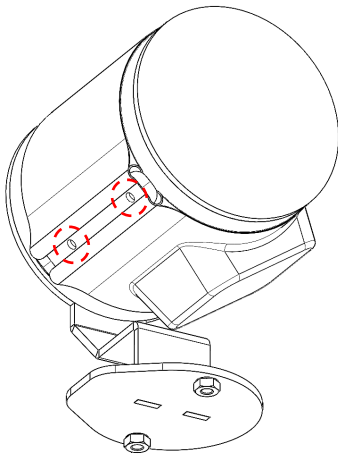
2 Insert Dummy Pod into product, sealing Velcro shut afterwards.



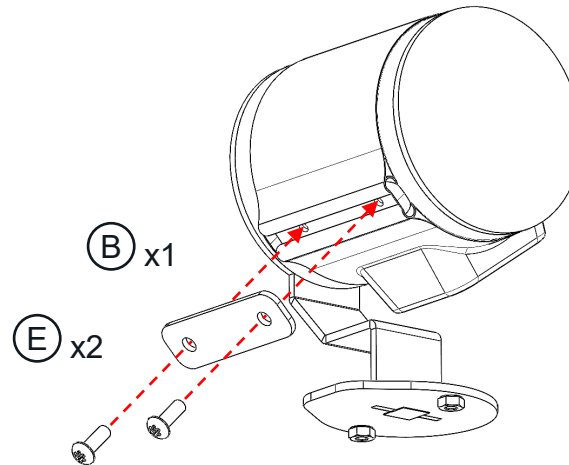
3 Slide Index Sleep product over cradle.



4 Make sure holes in cradle align with hole in strap clasp.



5 Fix locking plate over strap clasp.



6

