

GARMIN

CRADLE X30

P11186 03/12/2025 Rev A

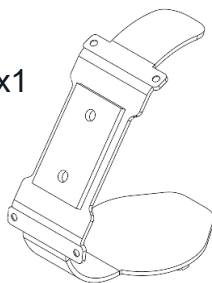
ASSEMBLY GUIDE

Tools Required (supplied)

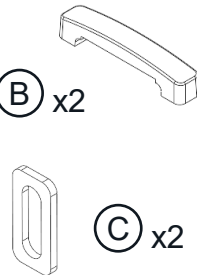


Part

(A) x1



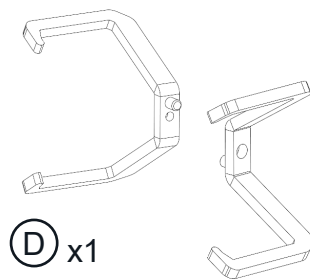
(B) x2



(C) x2

(D) x1

TAPPED



(E) x1
THRU



(F) x4
M3x6MM T10
CSK SCREW



(H) x2
M4x12MM T20
CSK SCREW



(G) x4
M3x10MM T10
CSK SCREW
(SPARES)

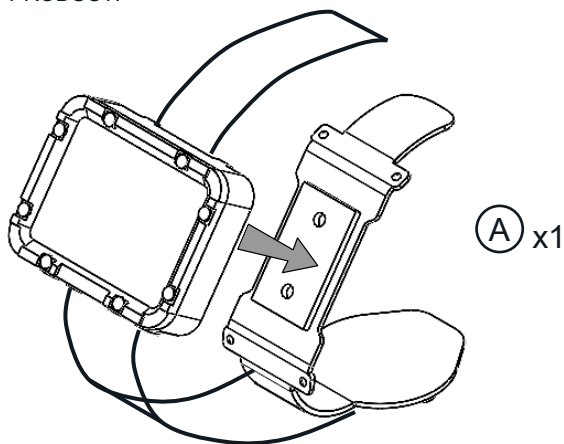


(I) x1
M4x16MM T20
BUTTON HEAD

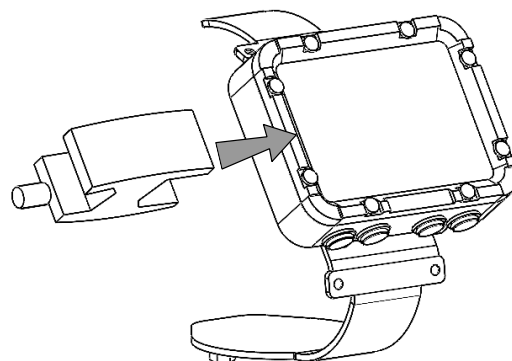
(J) x1



1 PLACE PRODUCT ON CRADLE WITH STRAPS UNDONE. RISER PLATE ON CRADLE SHOULD FIT INTO RECESS ON THE BACK OF PRODUCT.

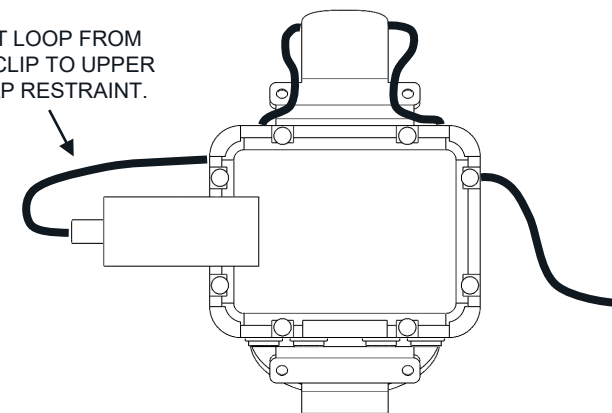


2 ATTACH CHARGING CLIP.



3 START LOOPING THE POWER CABLE AROUND THE CRADLE.

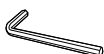
TIGHT LOOP FROM THE CLIP TO UPPER STRAP RESTRAINT.



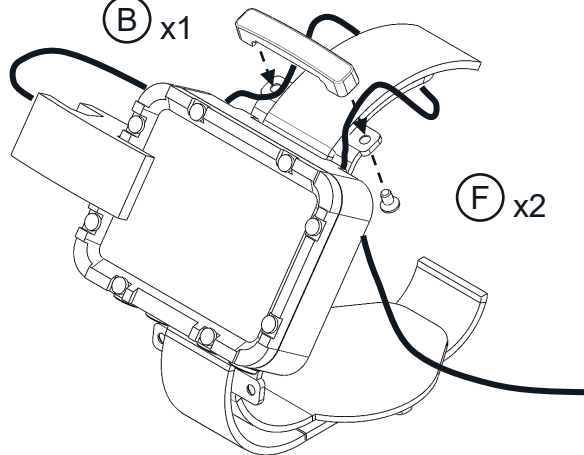
4 SECURE TOP WATCH STRAP RESTRAINT.

(B) x1

(F) x2



SECURITY TORX T10



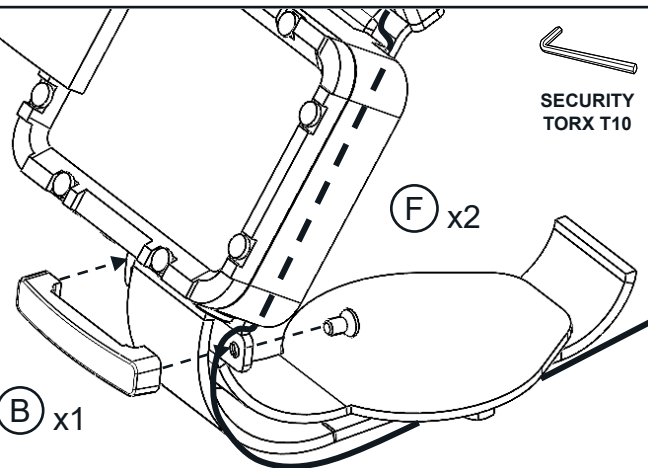
5

SECURITY TORX T10

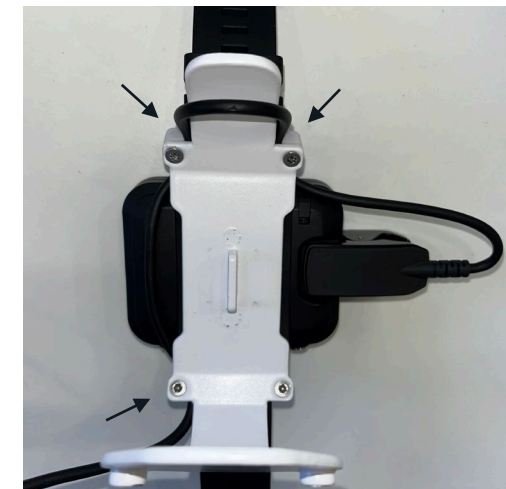
(F) x2

(B) x1

THREAD CABLE BEHIND PRODUCT AND THROUGH BOTTOM STRAP RESTRAINT.



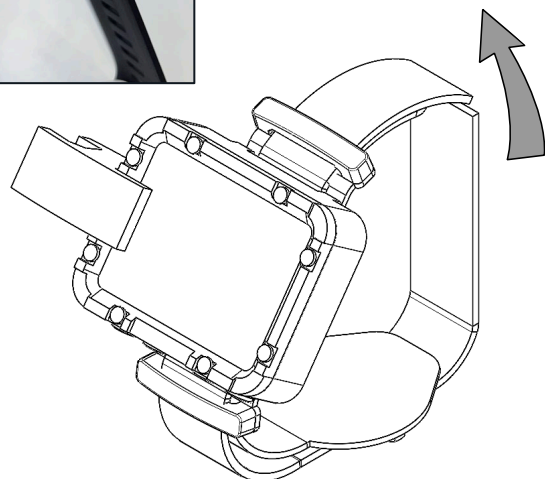
6 EXAMPLE OF POWER CABLE LOOPED THROUGH TOP AND BOTTOM STRAP RESTRAINTS.



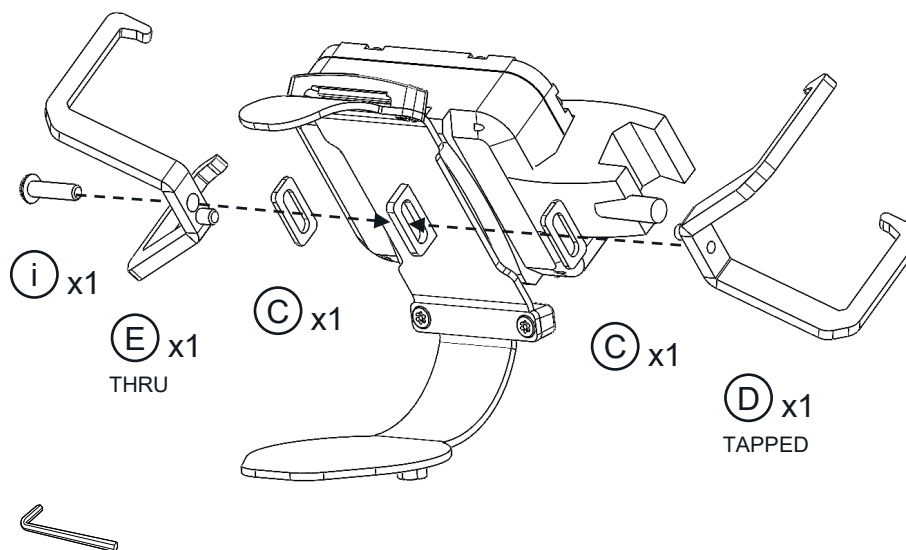
GARMIN

7

TIGHTEN STRAP AND SECURE BUCKLE. PUSH STRAP BANDS OVER CRADLE (SHOWN IN IMAGE).

**8**

PLEASE USE ONLY 2 OFF METAL SPACERS (PART C) WHEN FIXING CLAWS TO ENSURE PRODUCT IS SECURE IN CRADLE.

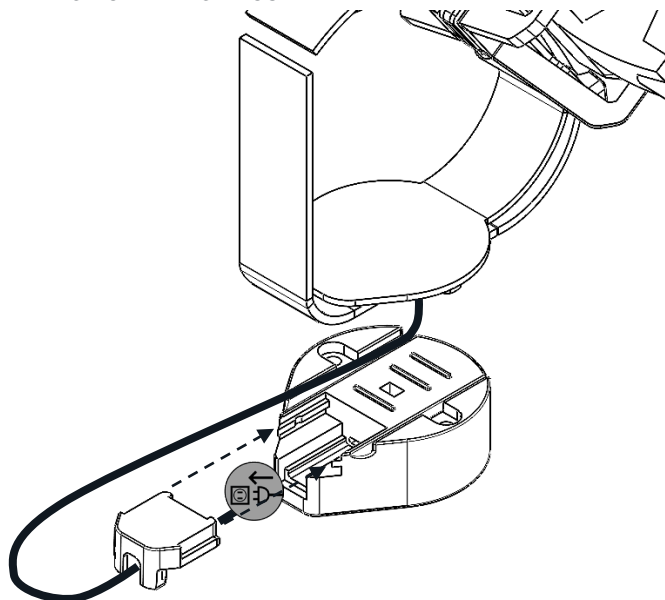


SECURITY
TORX T20

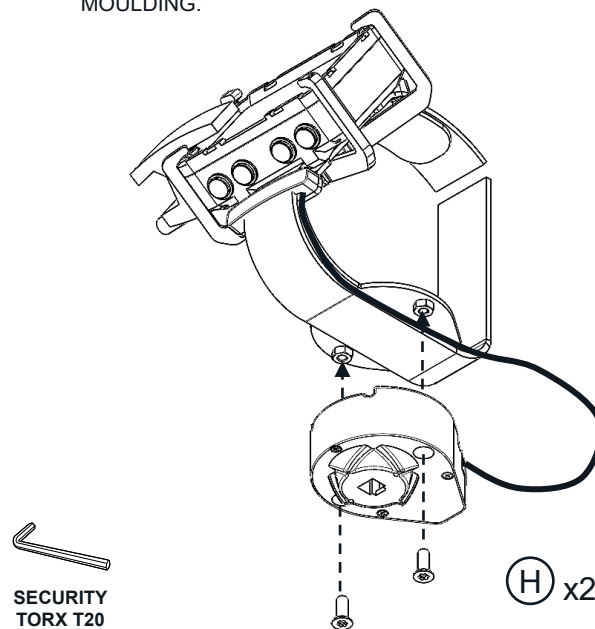
ENSURE POWER CABLE IS LOOPED INSIDE CLAWS.

**9**

PLUG POWER CABLE INTO SECURITY MOUNT, USING TOP CLAMP TO SECURE.

**10**

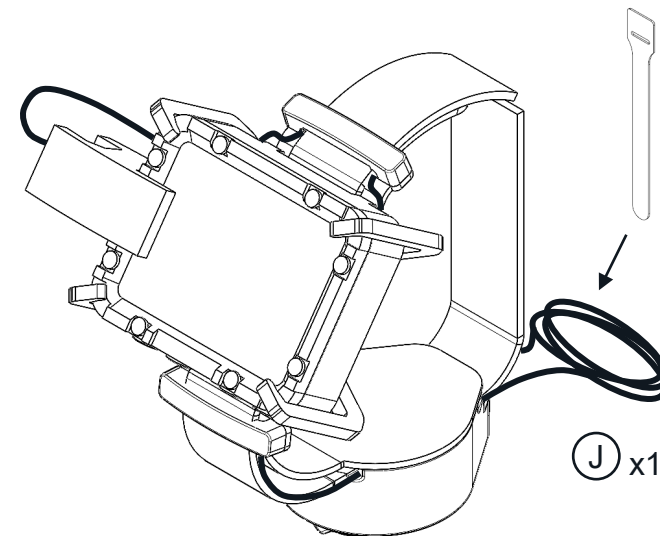
FIX CRADLE TO SECURITY MOUNT, TUCKING POWER CABLE ALONG ONE OF THE CHANNELS IN THE TOP MOULDING.



SECURITY
TORX T20

11

COIL EXCESS CABLE NEATLY AT THE BACK OF THE CRADLE AND SECURE WITH VELCRO CABLE TIE.



(J) x1