

GARMIN

CRADLE X4 – MID 2 CTU

P11186

27/10/2025

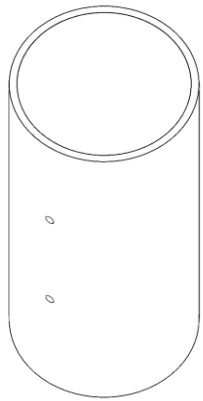
### INSTALL GUIDE

#### TOOLS REQUIRED – SUPPLIED

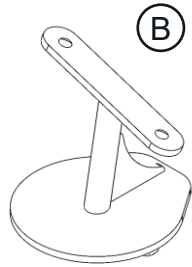


T20 SECURITY TORX KEY

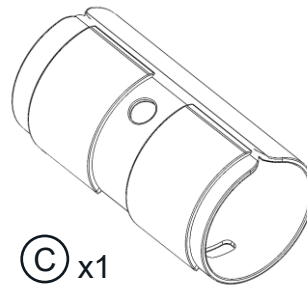
#### Parts



(A) x1

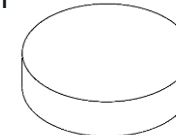


(B) x1

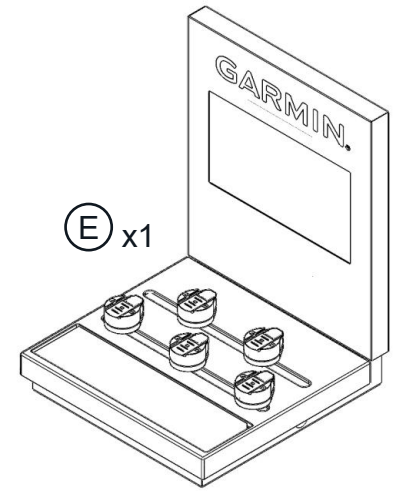


(C) x1

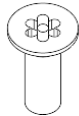
(D) x1



Dummy pod



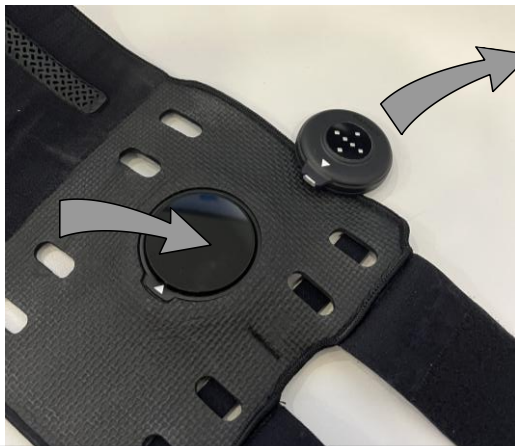
(E) x1



(1) x4

M4x12MM T20 SECURITY TORX CSK HEAD

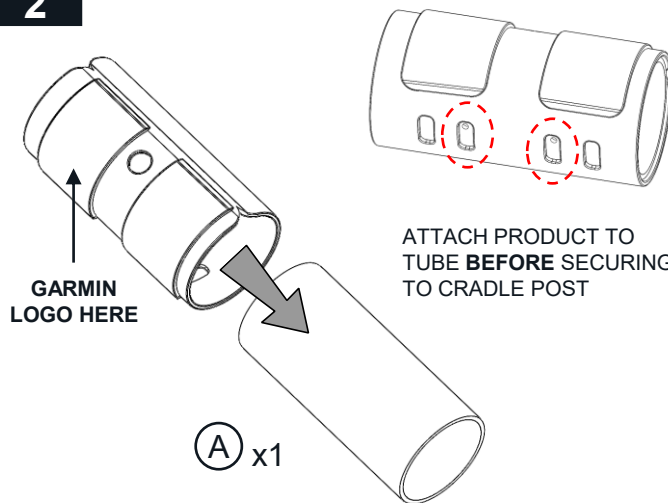
### 1 ADDING PRODUCT TO CRADLE



(D) x1

REPLACE PRODUCT SENSOR WITH DUMMY POD

### 2



GARMIN LOGO HERE

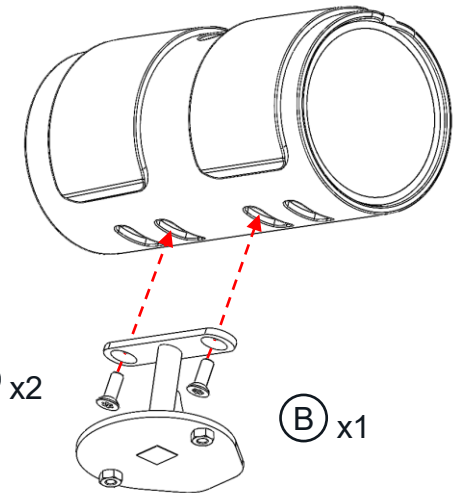
ATTACH PRODUCT TO TUBE **BEFORE** SECURING TO CRADLE POST

(A) x1

### 3



T20 SECURITY TORX KEY

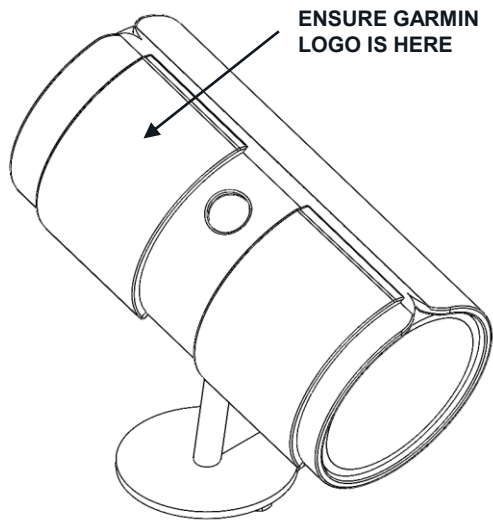


(1) x2

(B) x1

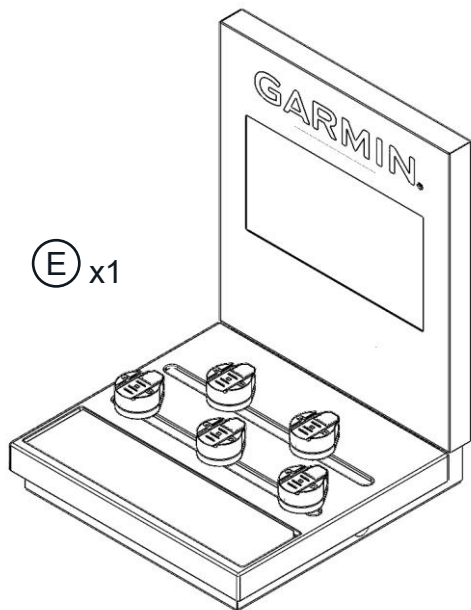
GARMIN®

4

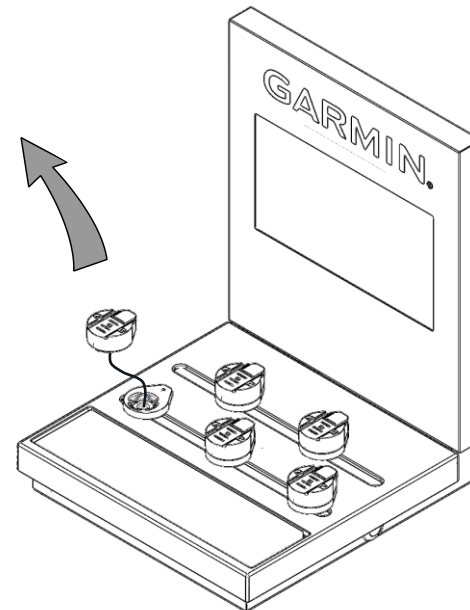


5

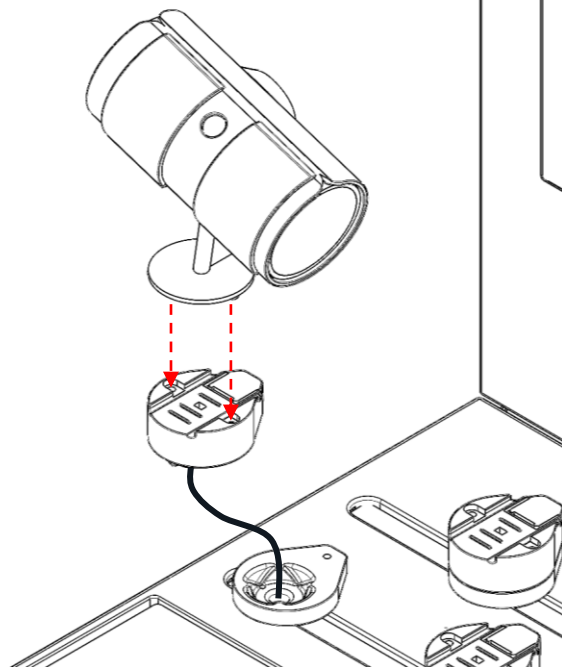
### FIXING CRADLE TO MID 2 CTU



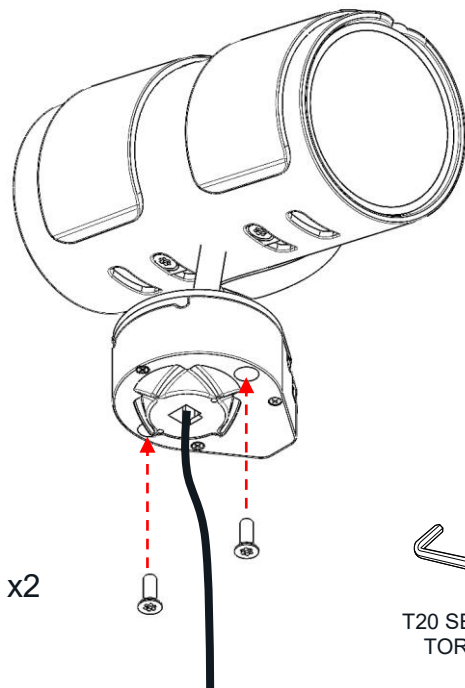
6



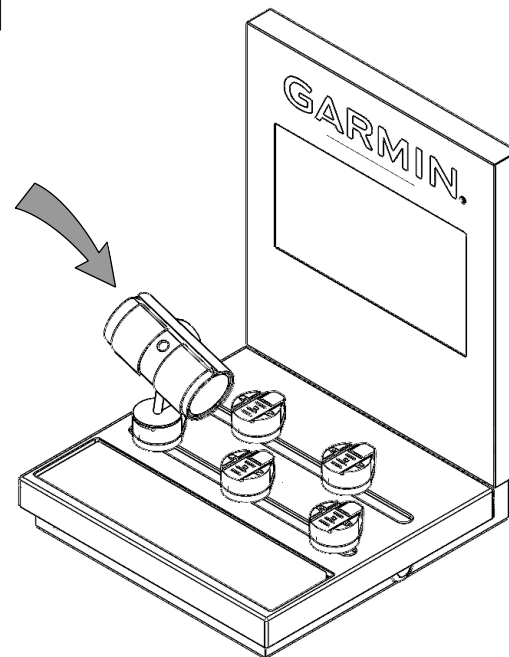
7



8



9



# ASSETS PAGE – DELETE BEFORE ISSUING OR PRINTING

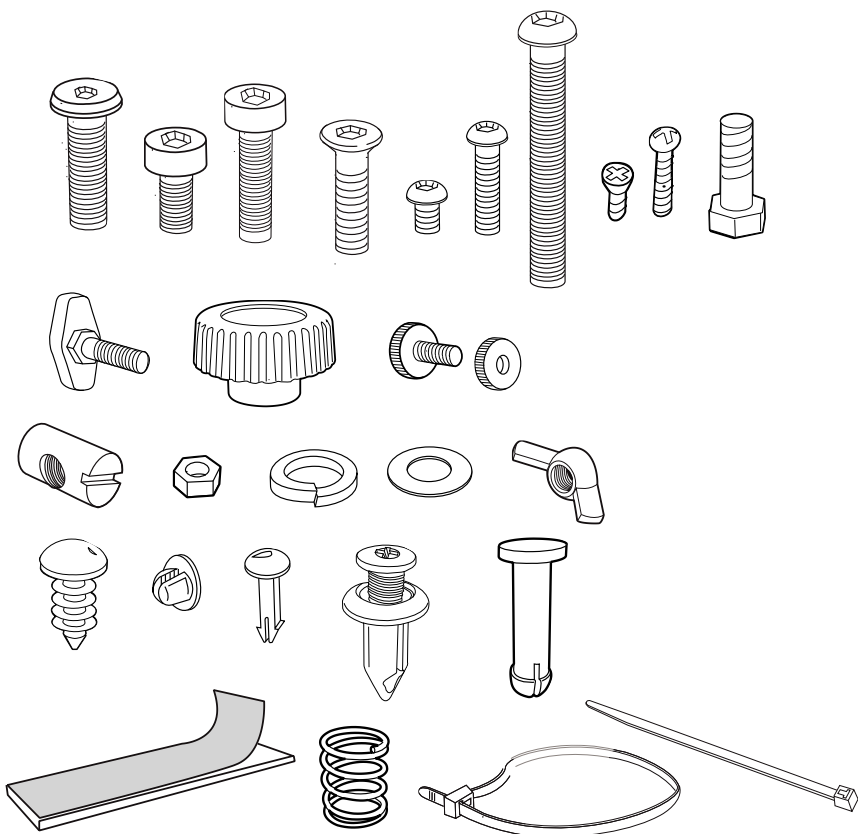
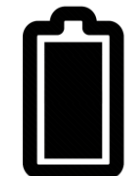
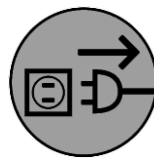
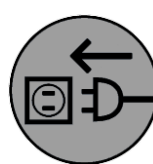
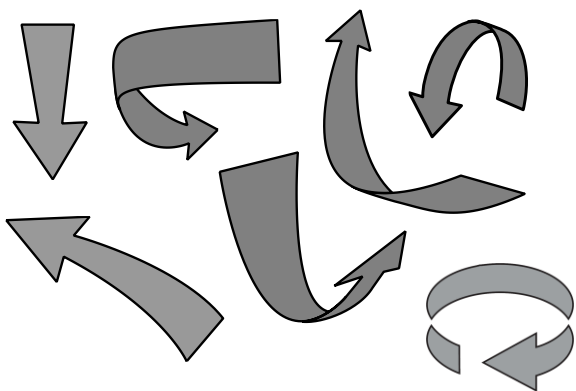
Ⓐ x#

Ⓐ

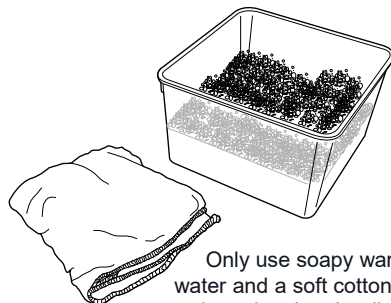
①



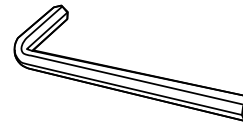
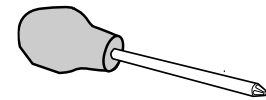
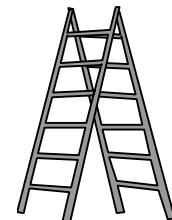
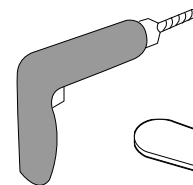
Notes



Do NOT use chemical based cleaning products or abrasive cloth's & sponges



Only use soapy warm water and a soft cotton cloth when cleaning the display



**GARMIN®**