

GARMIN

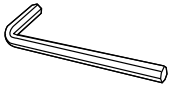
CRADLE X4 - MINI PLINTH

P11186

27/10/2025

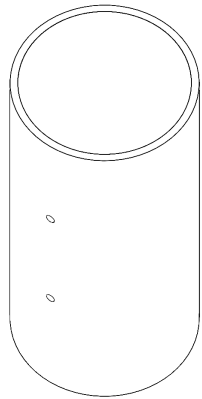
INSTALL GUIDE

TOOLS REQUIRED – SUPPLIED

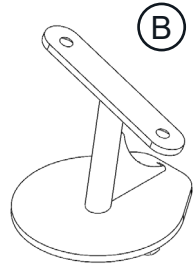


T20 SECURITY TORX KEY

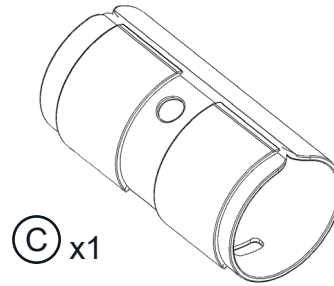
Parts



(A) x1

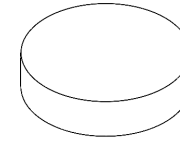


(B) x1



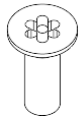
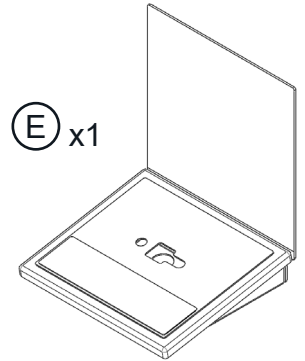
(C) x1

(D) x1



Dummy pod

(E) x1



(1) x2

M4x12MM T20 SECURITY TORX CSK HEAD



(2) x2

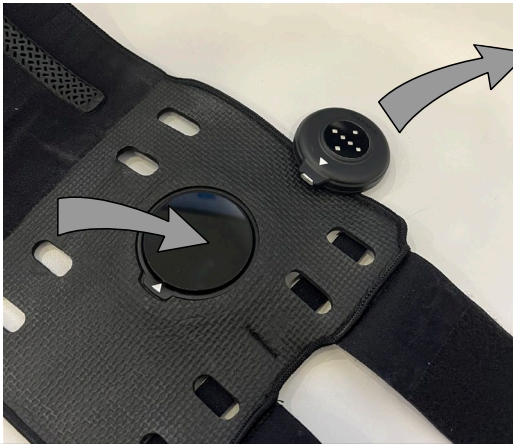
M4x12MM T20 SECURITY TORX BUTTON HEAD



(3) x2

M4 WASHER

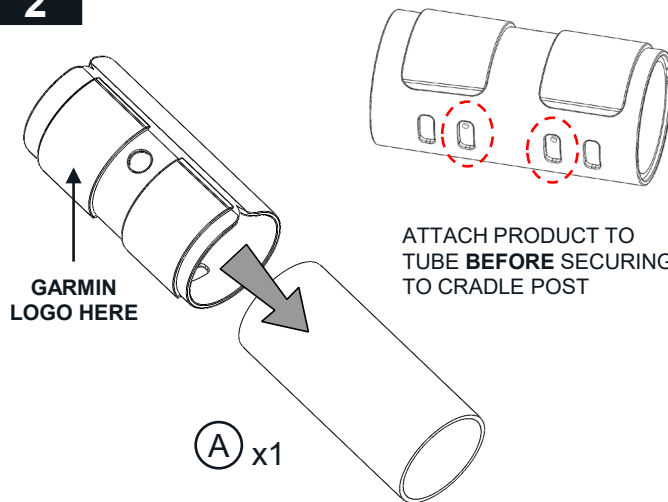
1 ADDING PRODUCT TO CRADLE



(D) x1

REPLACE PRODUCT SENSOR WITH DUMMY POD

2

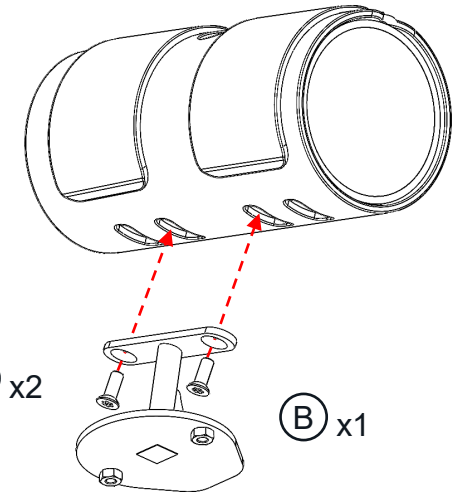


(A) x1

3



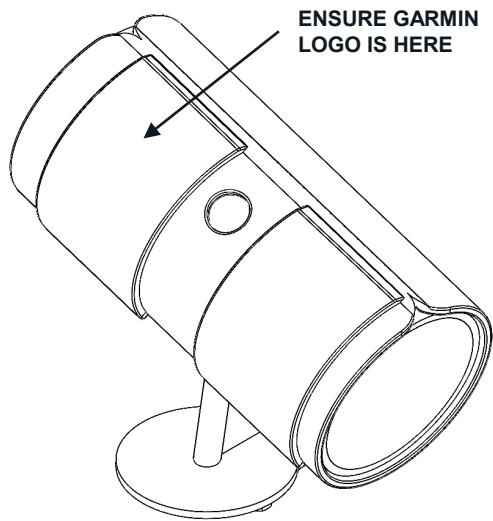
T20 SECURITY TORX KEY



(1) x2

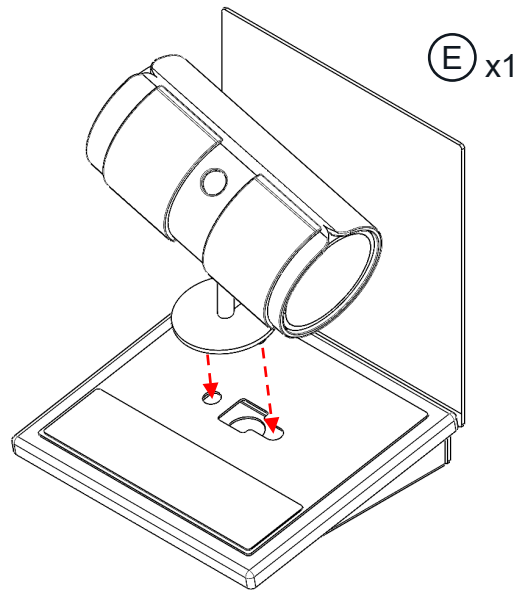
(B) x1

4

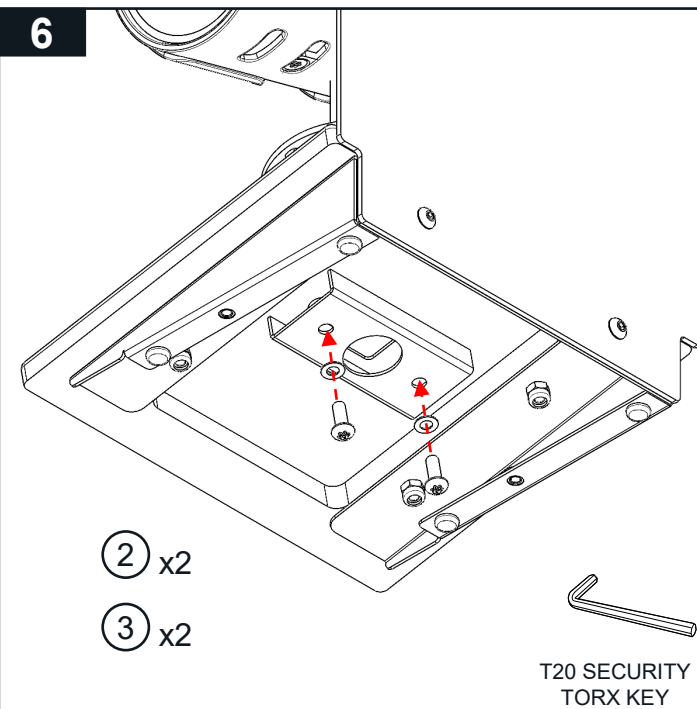


5

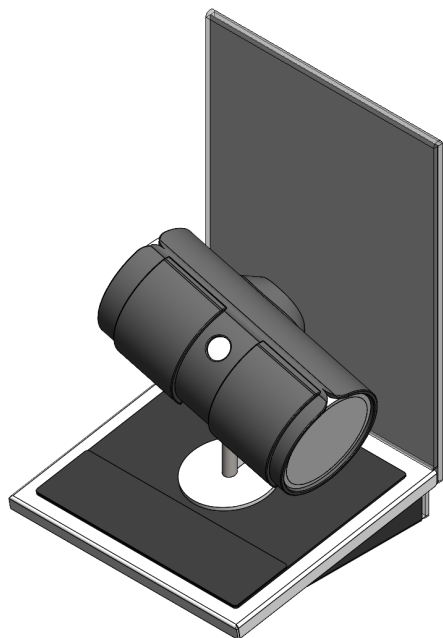
FITTING CRADLE TO MINI PLINTH



6



7



8



9