

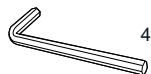
GARMIN

CORPORATE DISPLAY

P12674 | 23/02/2026

400 CTU + GRAPHIC HEADER
+ BRONZE POSTS

TOOLS REQUIRED – SUPPLIED

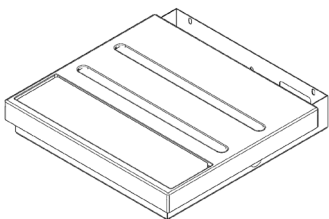


4MM ALLEN KEY

Parts

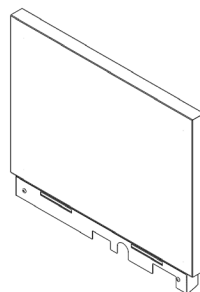
(A) X1

400MM



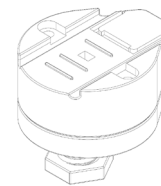
(B) X1

400MM



(D) X5

BRONZE
SECURITY
POSTS
(PRE-FITTED)



(E) X5

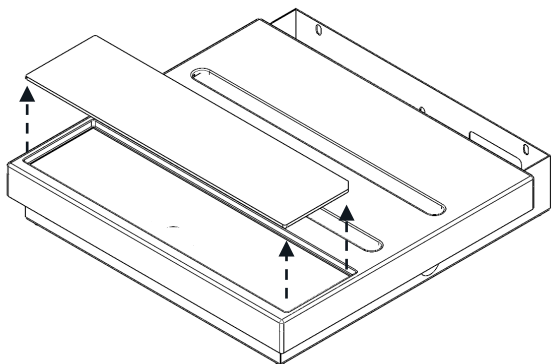
M6X8MM
SCREW



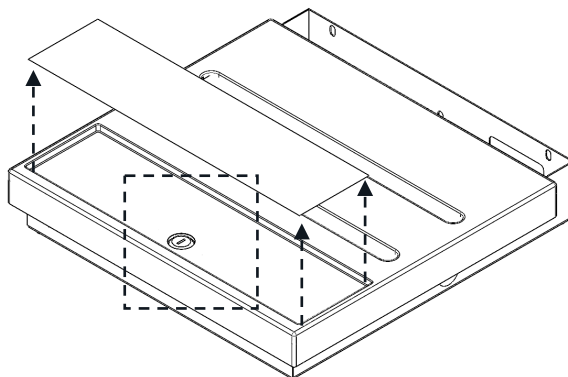
(C) X1



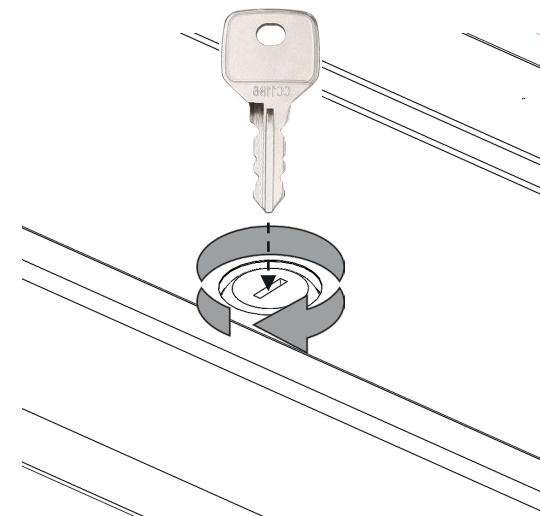
1



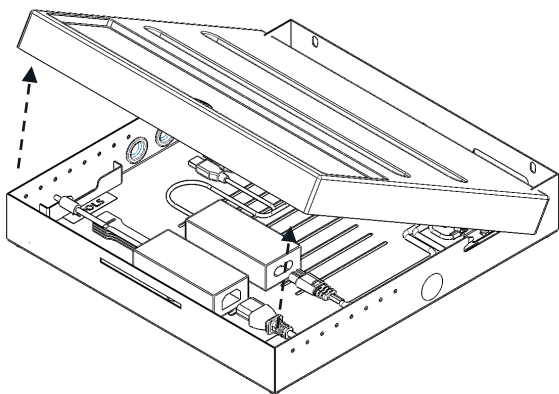
2



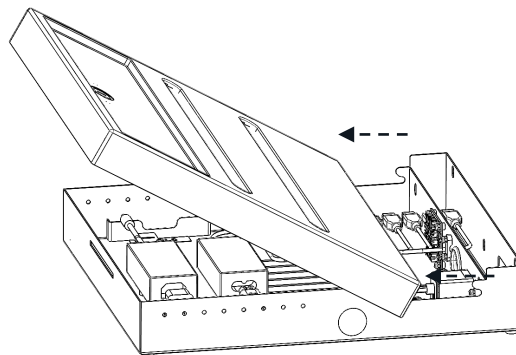
3



4



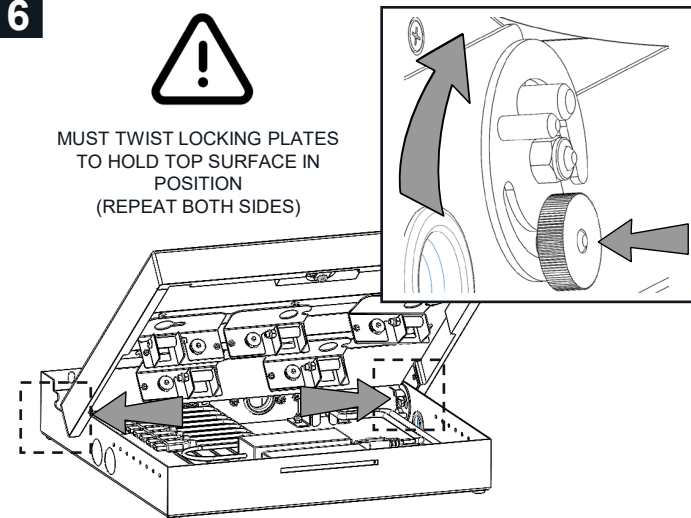
5



6



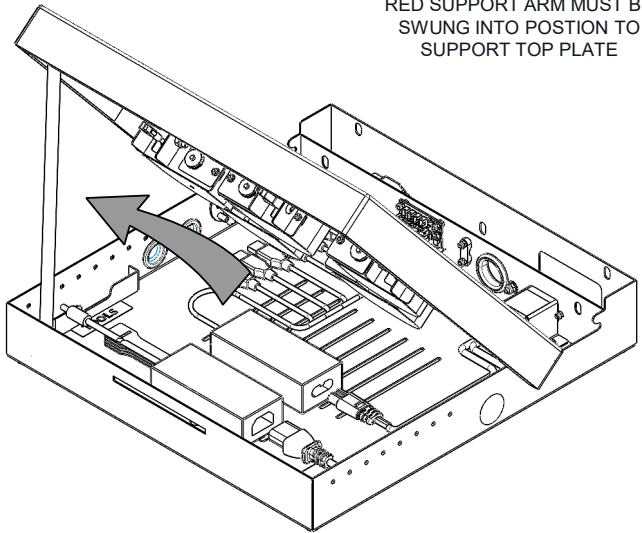
MUST TWIST LOCKING PLATES
TO HOLD TOP SURFACE IN
POSITION
(REPEAT BOTH SIDES)



7

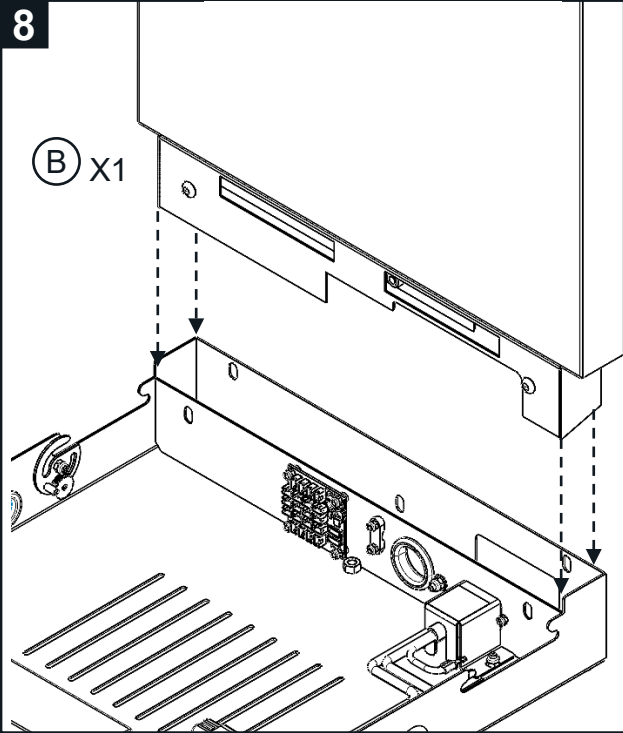


RED SUPPORT ARM MUST BE SWUNG INTO POSITION TO SUPPORT TOP PLATE

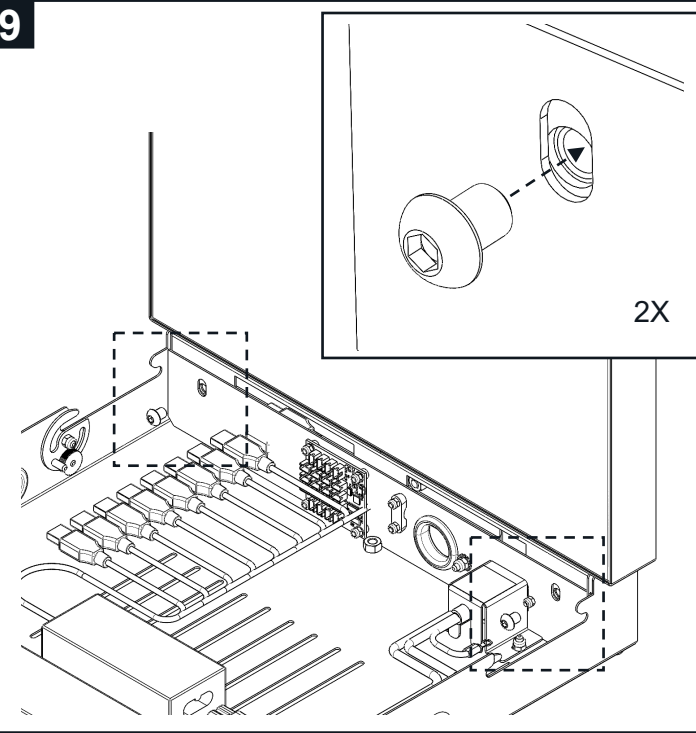


8

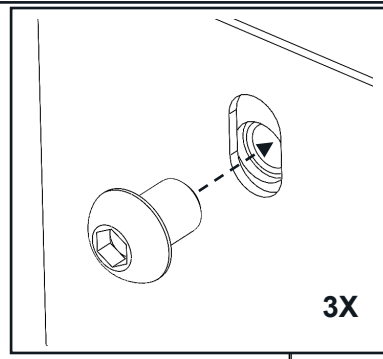
(B) X1



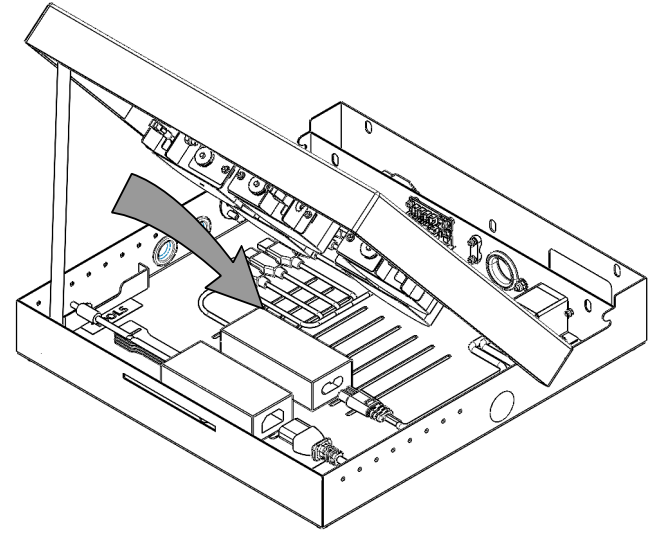
9



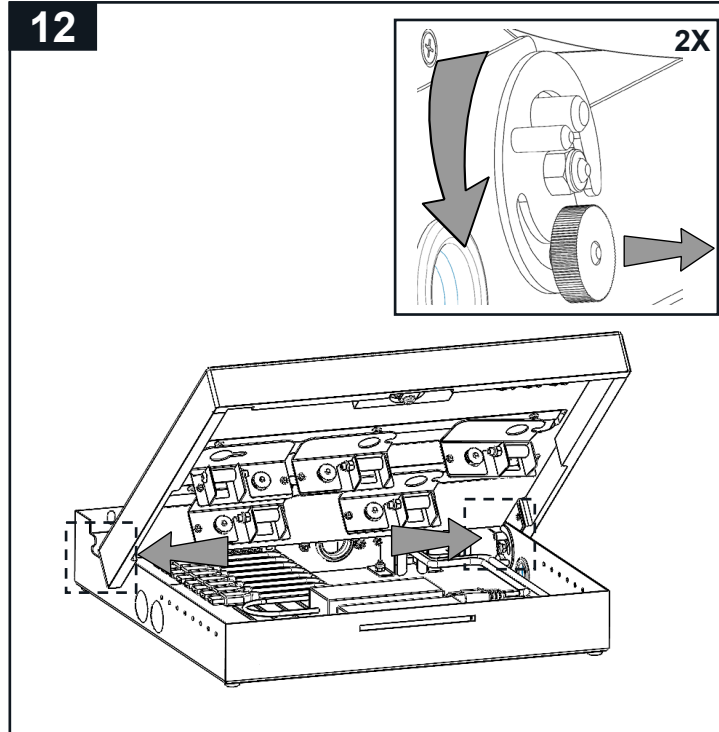
10



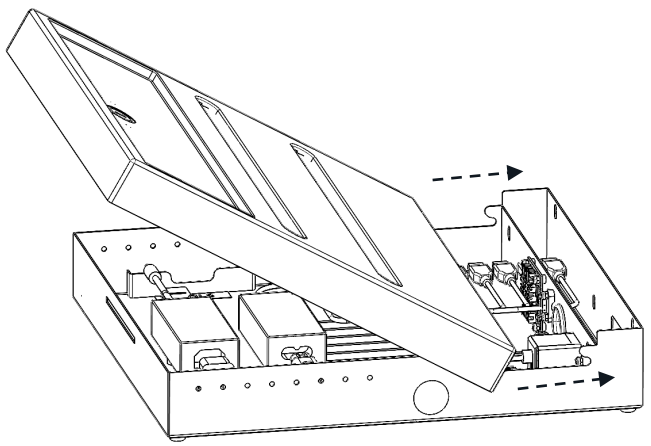
11



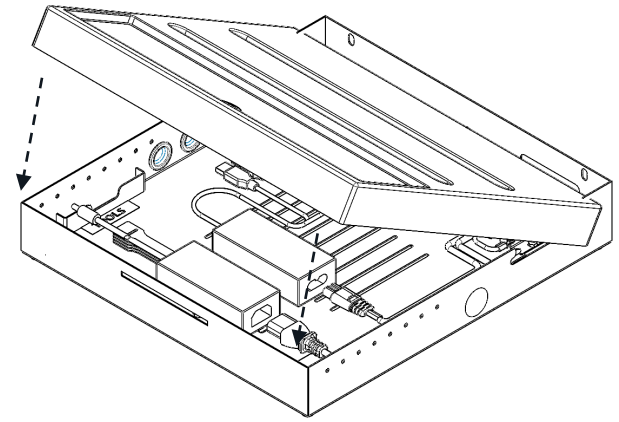
12



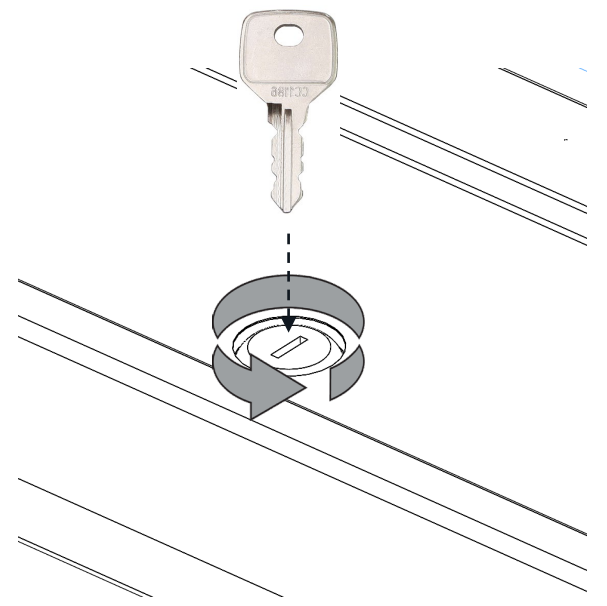
13



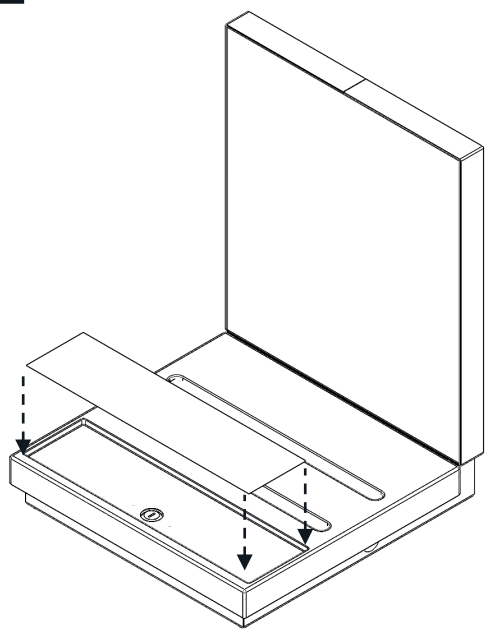
14



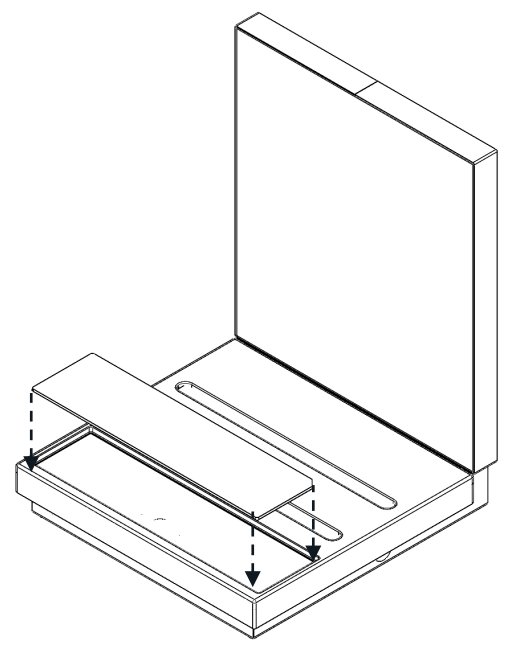
15



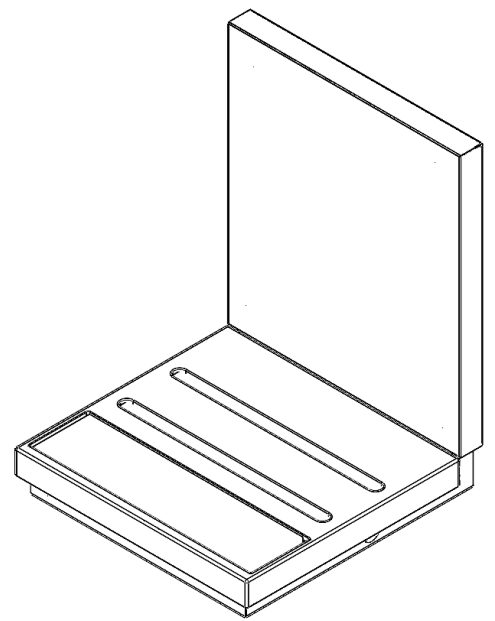
16



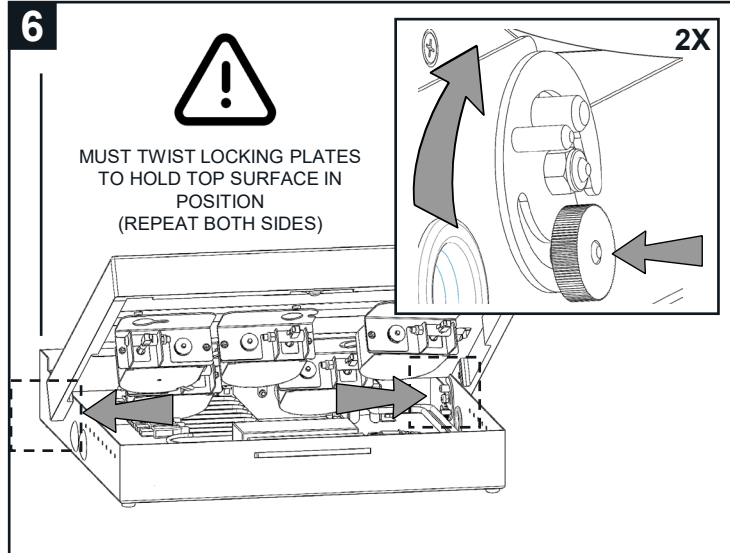
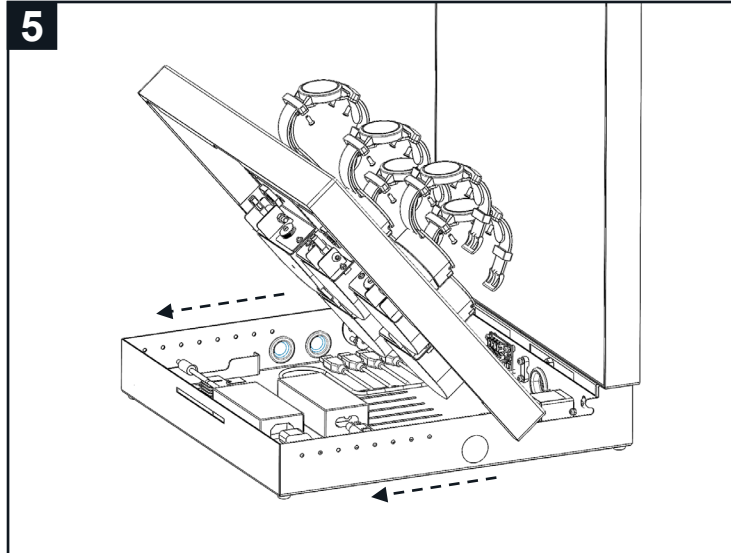
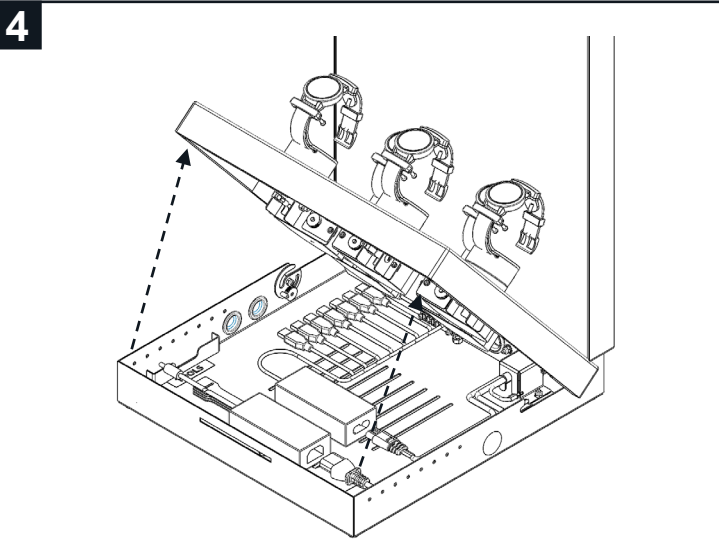
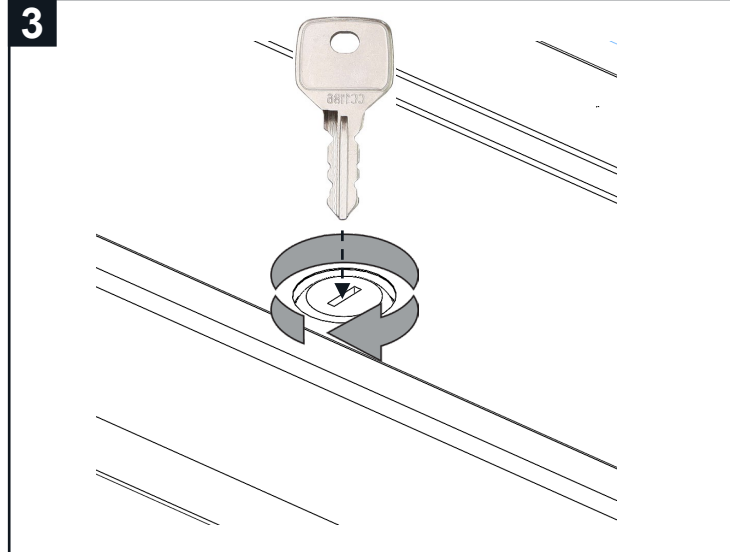
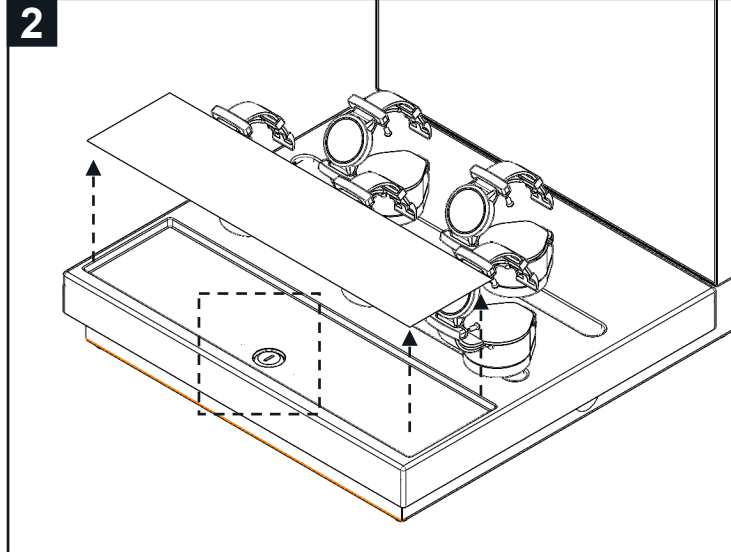
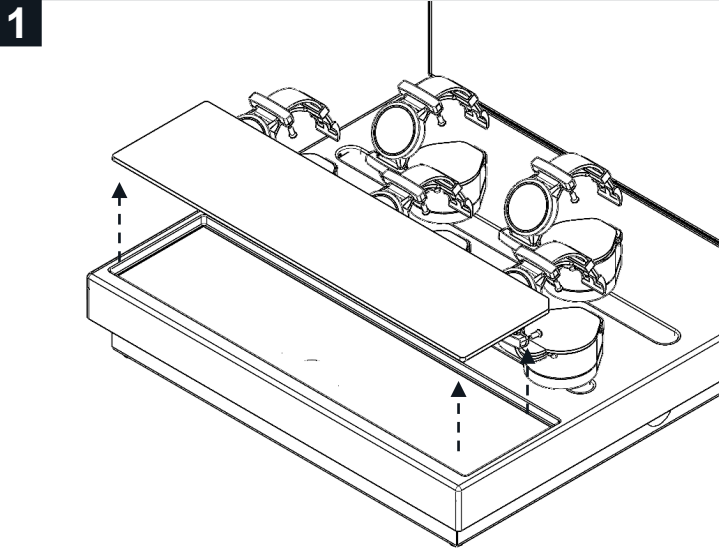
17



18



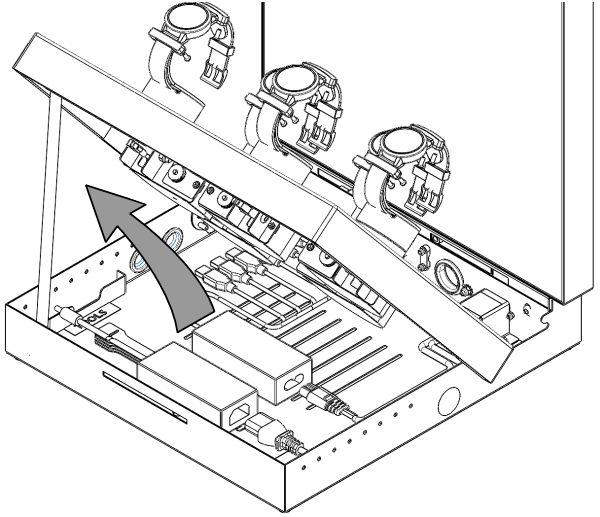
Fitting security to your CTU



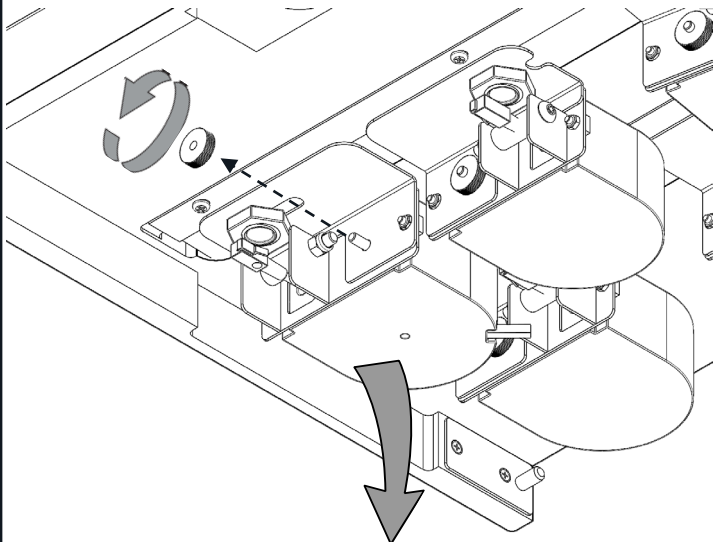
7



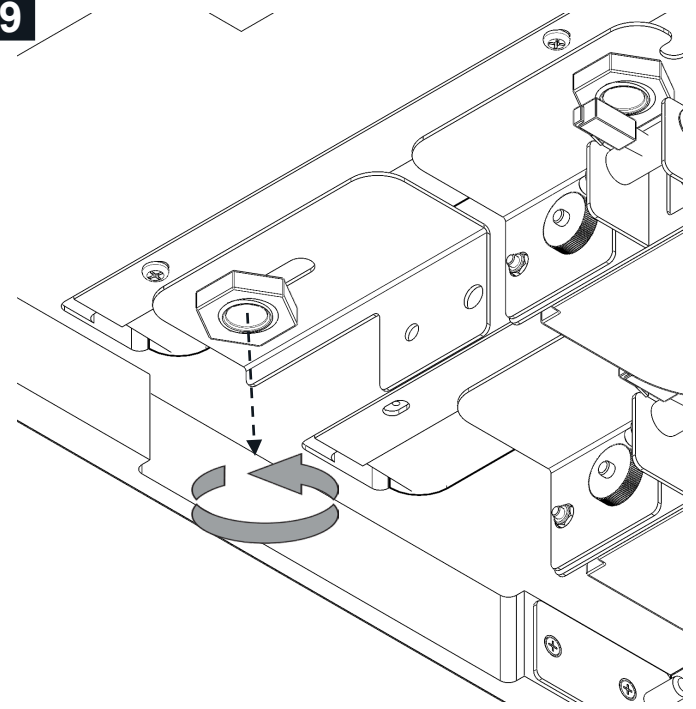
RED SUPPORT ARM MUST BE SWUNG INTO POSITION TO SUPPORT TOP PLATE



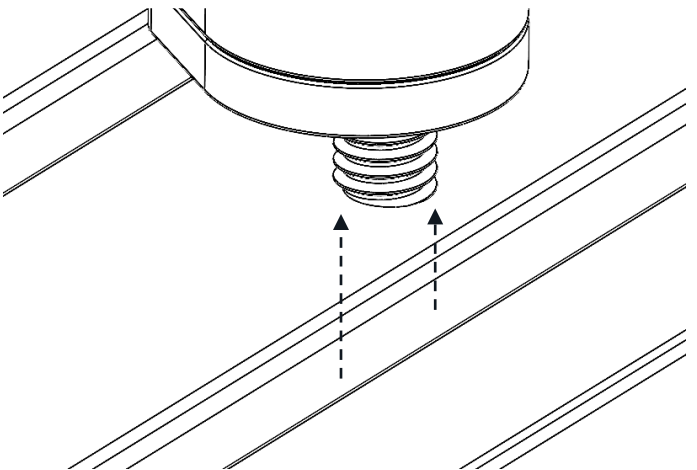
8



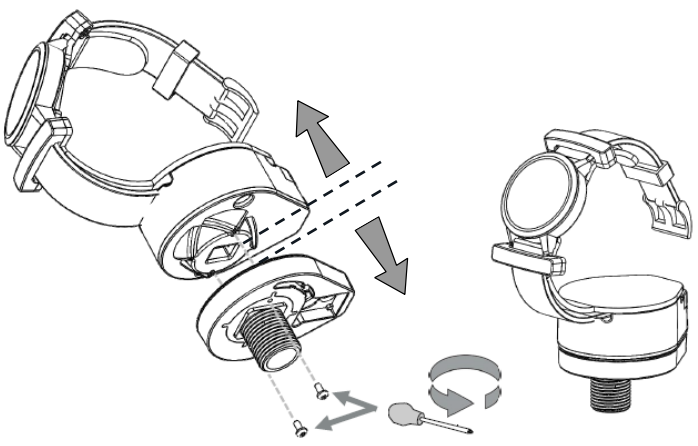
9



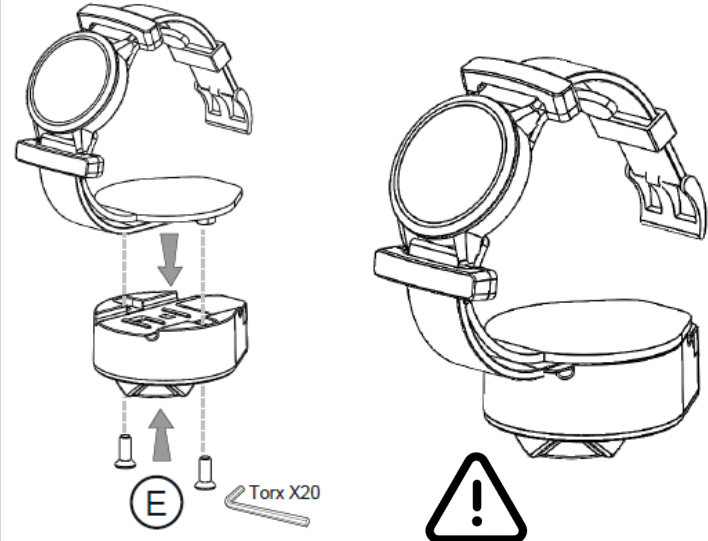
10



11



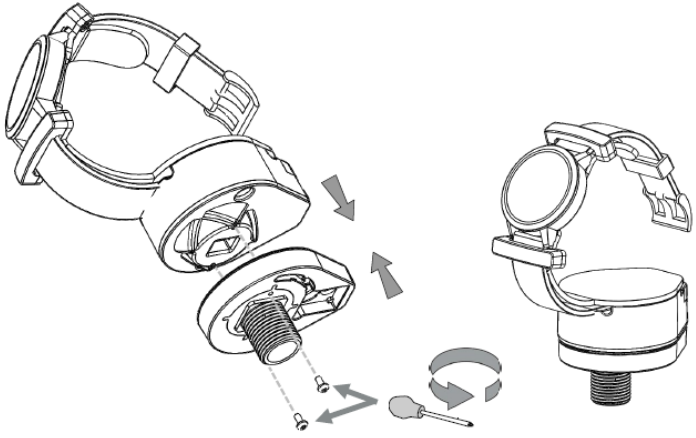
12



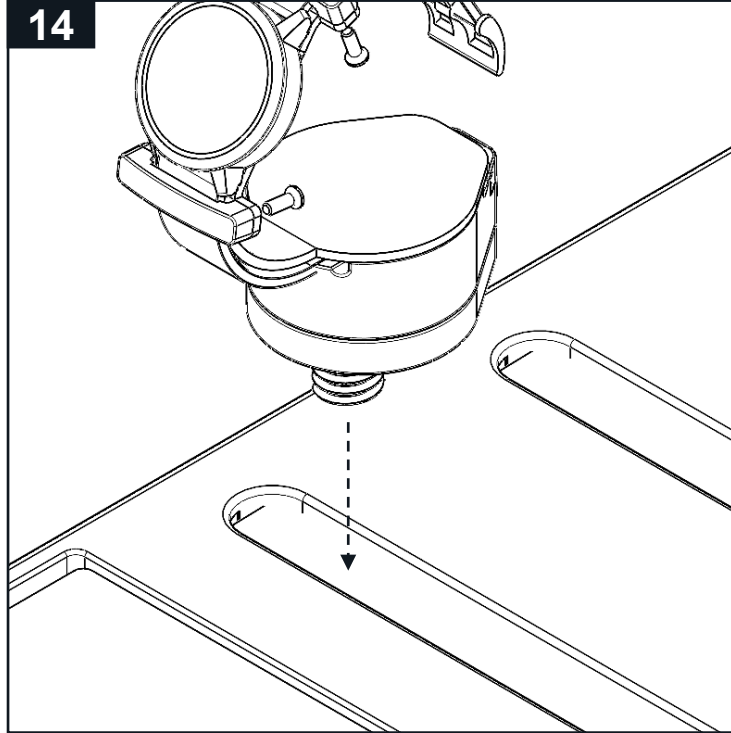
REMOVE EXISTING CRADLE FROM THE PLASTIC MOULDING SO THAT IT CAN BE REATTACHED TO BRONZE POST IF REQUIRED



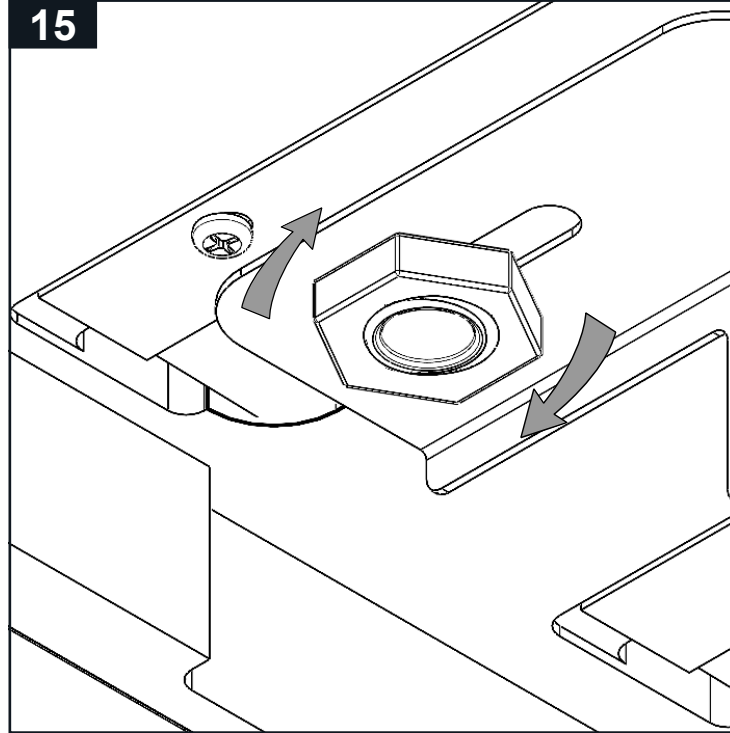
13



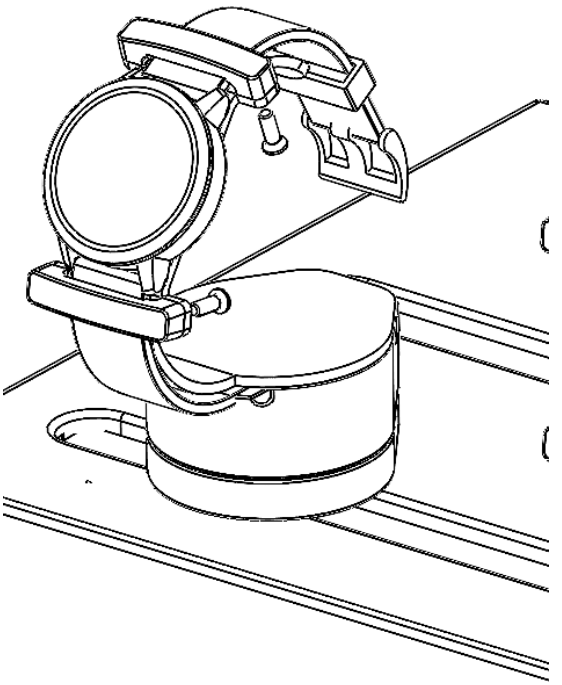
14



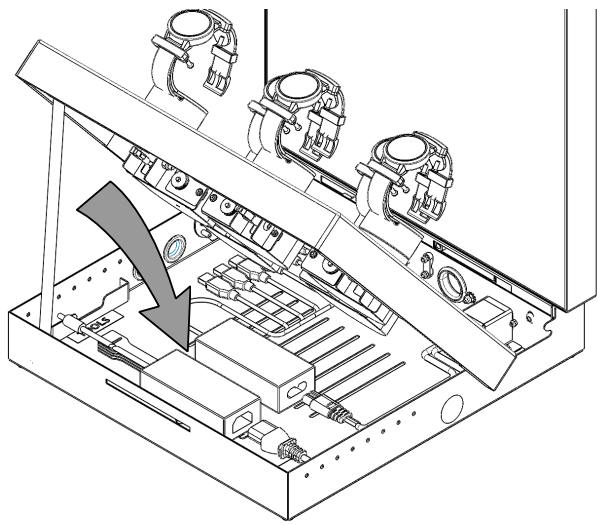
15



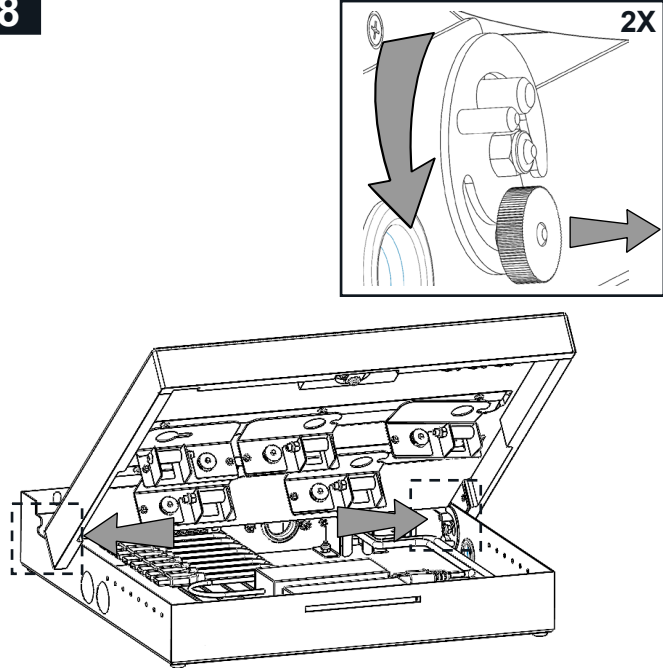
16



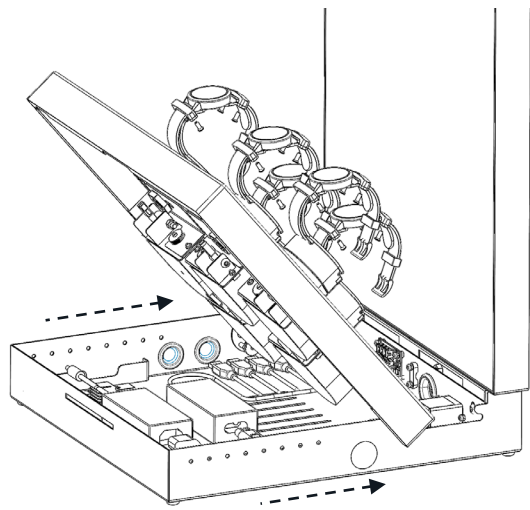
17



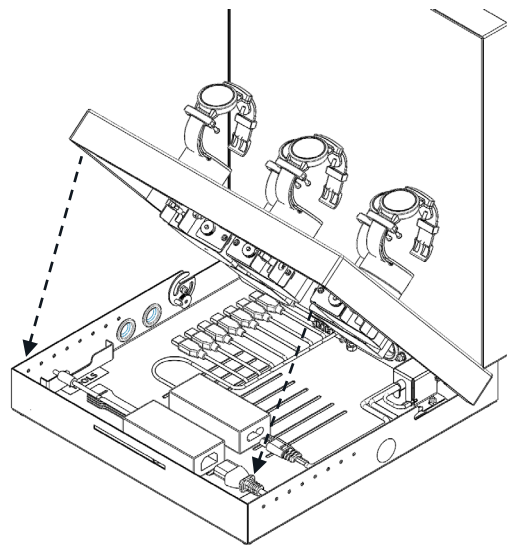
18



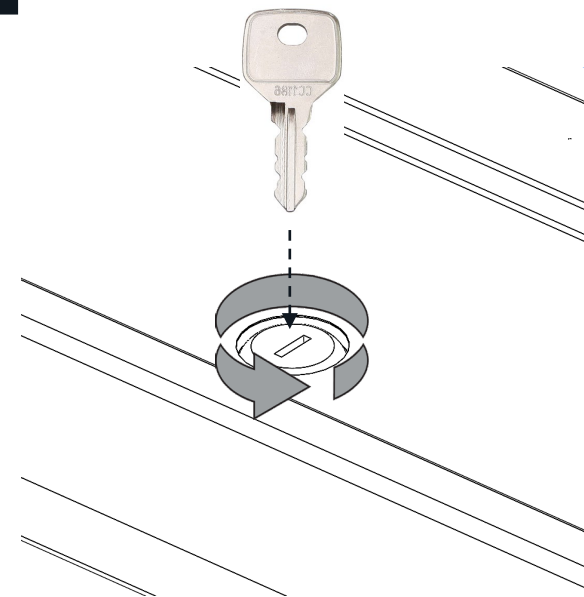
19



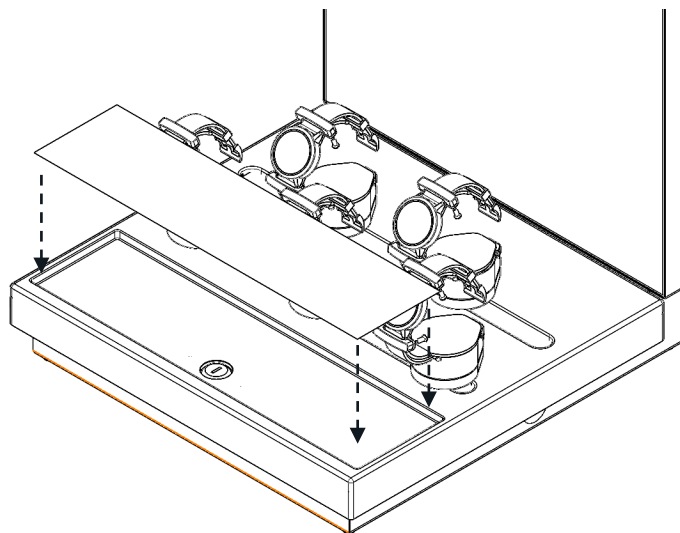
20



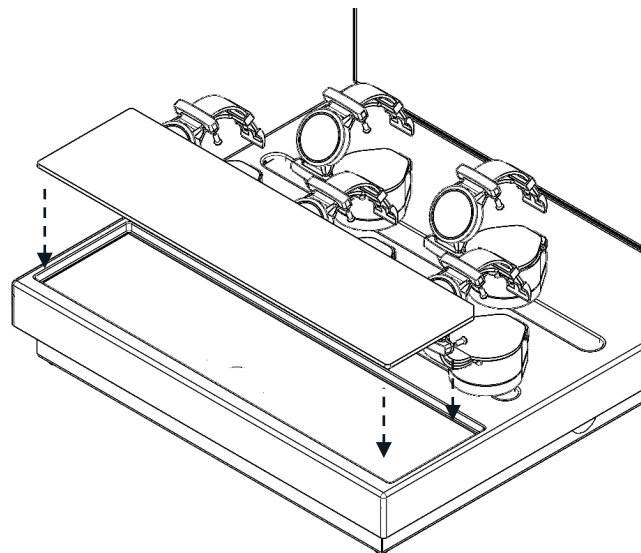
21



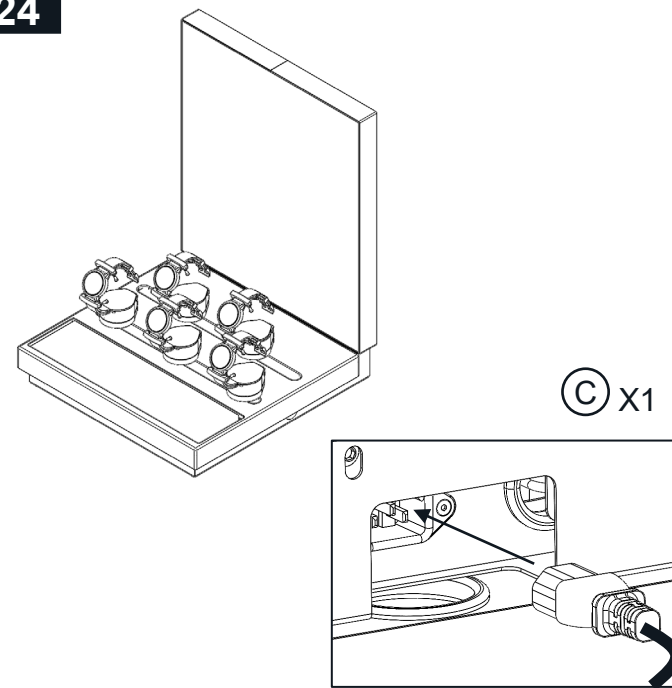
22



23



24



Bronze Security Fixed posts only

