

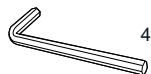
GARMIN

CORPORATE DISPLAY

P12674 | 23/02/2026

400 CTU + GRAPHIC HEADER
+ PLATIUM POSTS

TOOLS REQUIRED – SUPPLIED

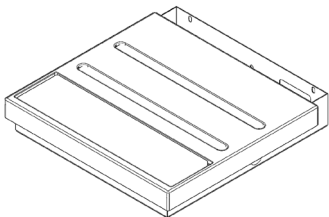


4MM ALLEN KEY

Parts

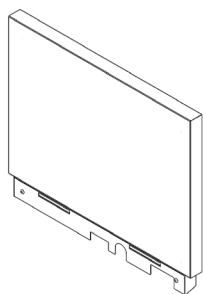
(A) X1

400MM



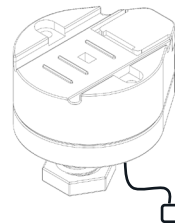
(B) X1

400MM



(D) X5

PLATIUM
SECURITY
POSTS
(PRE-FITTED)

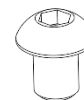


(C) X1



(E) X5

M6X8MM
SCREW



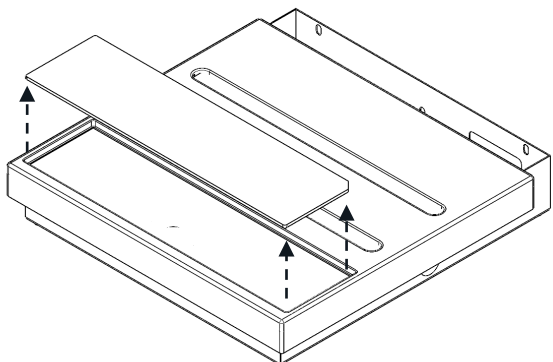
(F) X1

Remote Control (to work with
Access Control Remote Module)

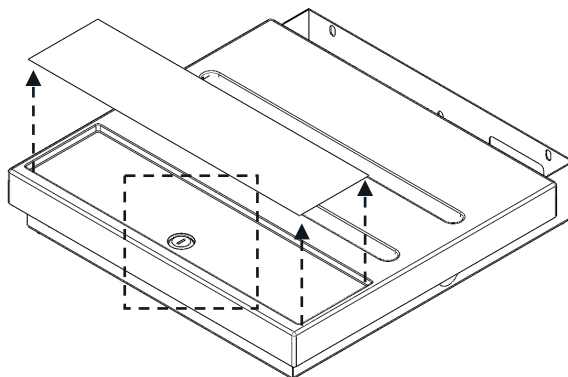


AS33X

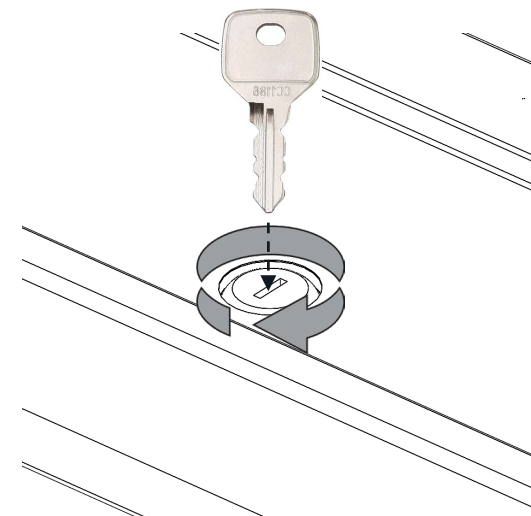
1



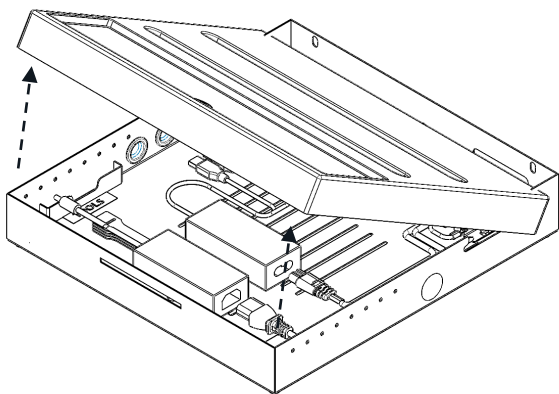
2



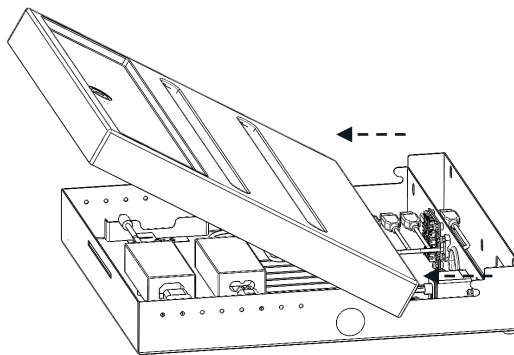
3



4



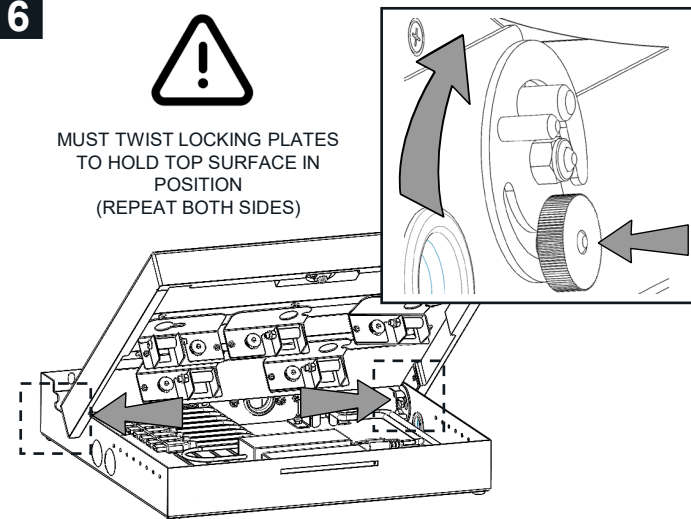
5



6



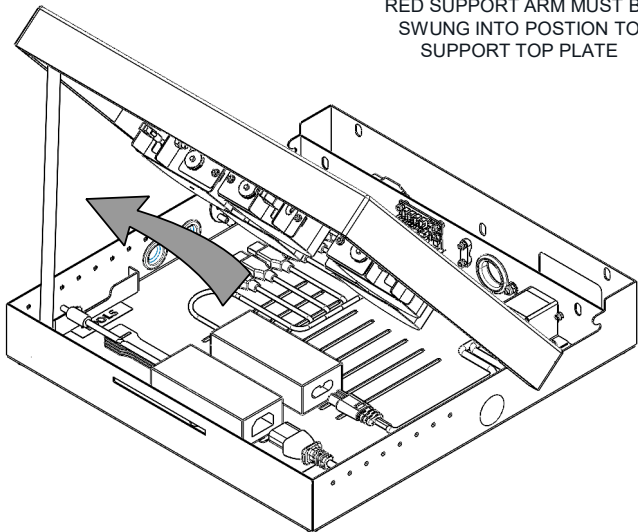
MUST TWIST LOCKING PLATES
TO HOLD TOP SURFACE IN
POSITION
(REPEAT BOTH SIDES)



7

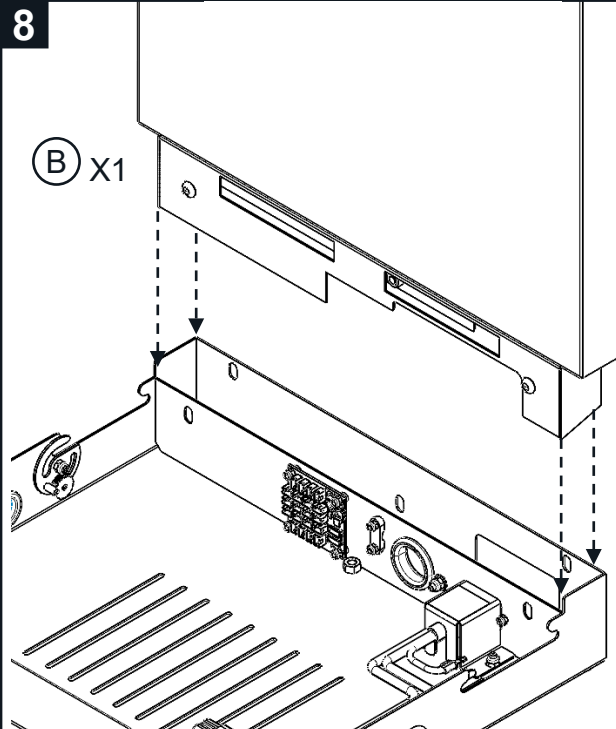


RED SUPPORT ARM MUST BE SWUNG INTO POSITION TO SUPPORT TOP PLATE

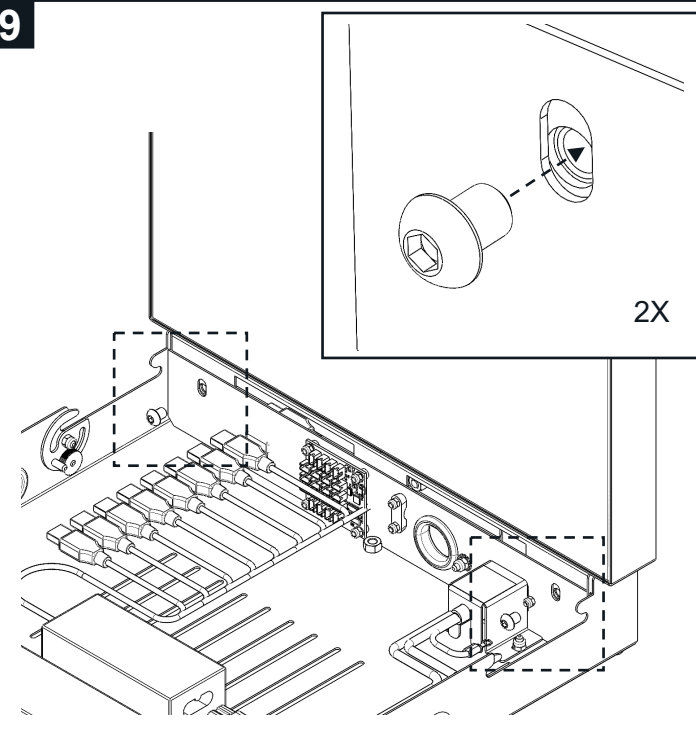


8

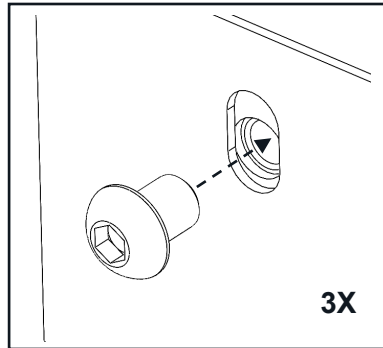
(B) X1



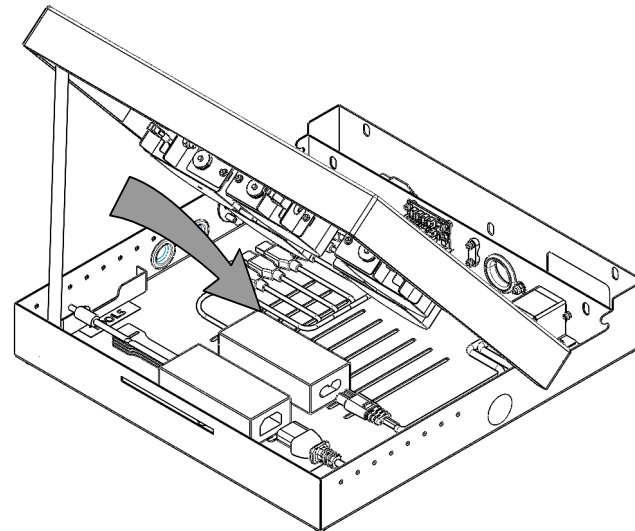
9



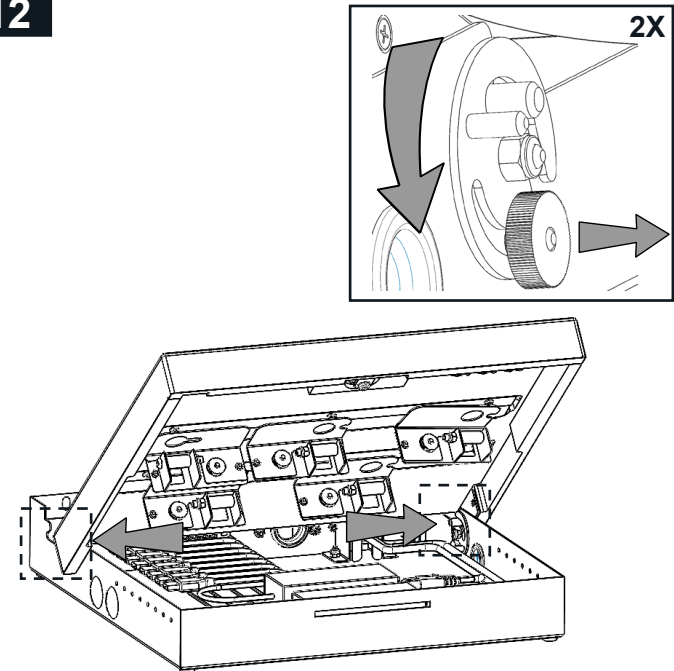
10



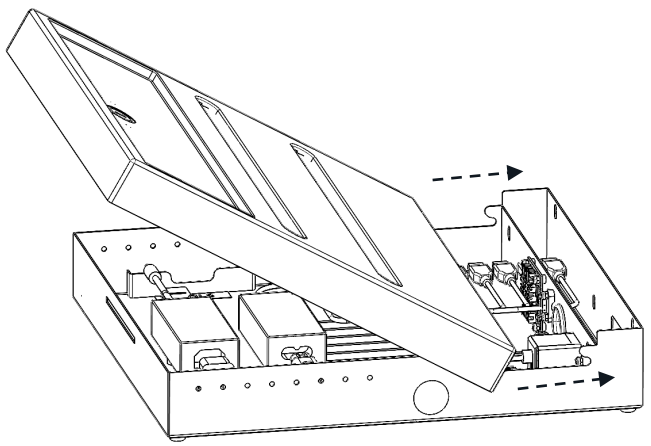
11



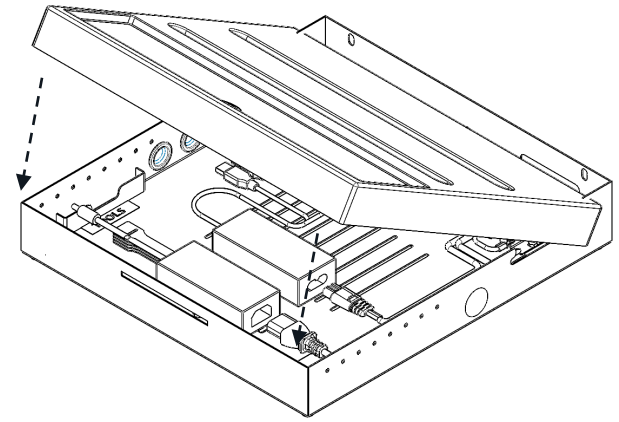
12



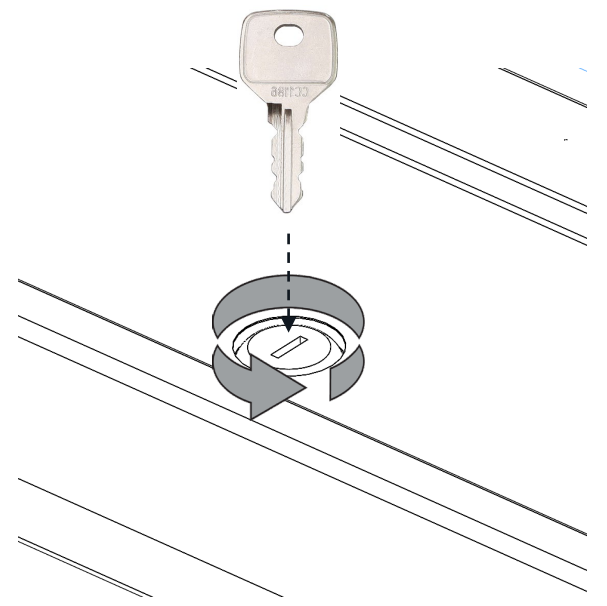
13



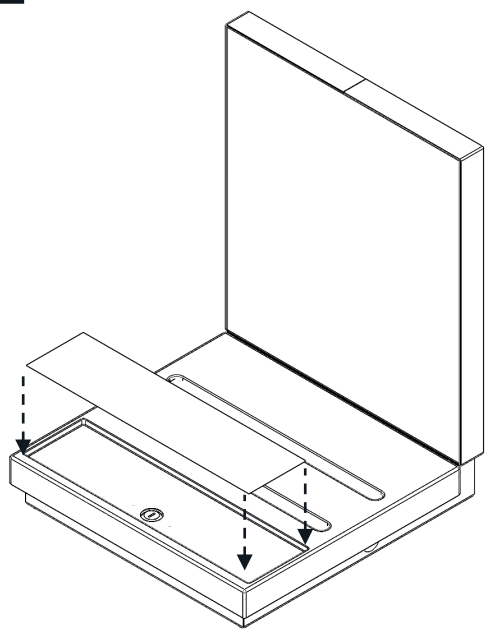
14



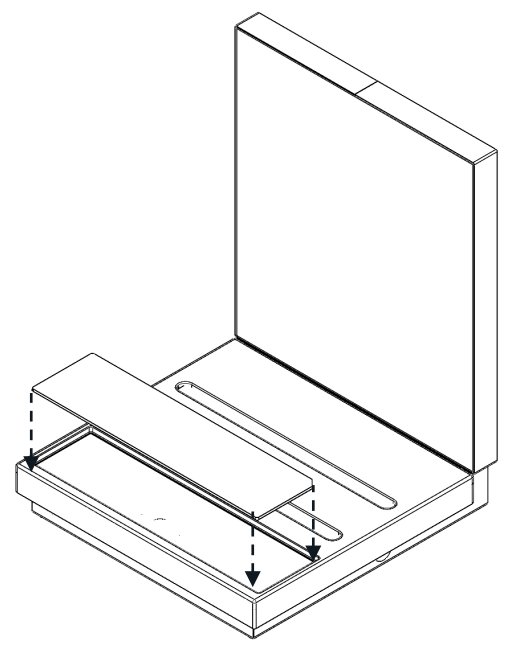
15



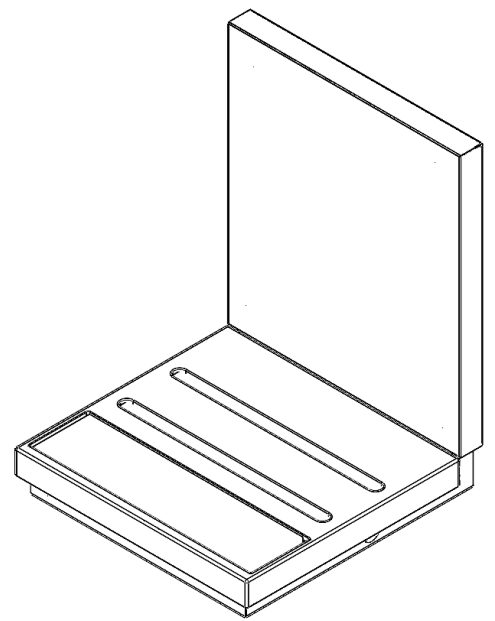
16



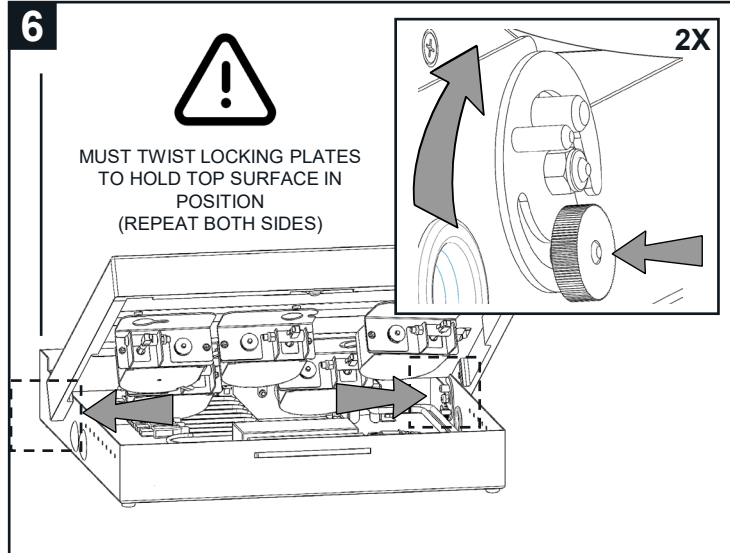
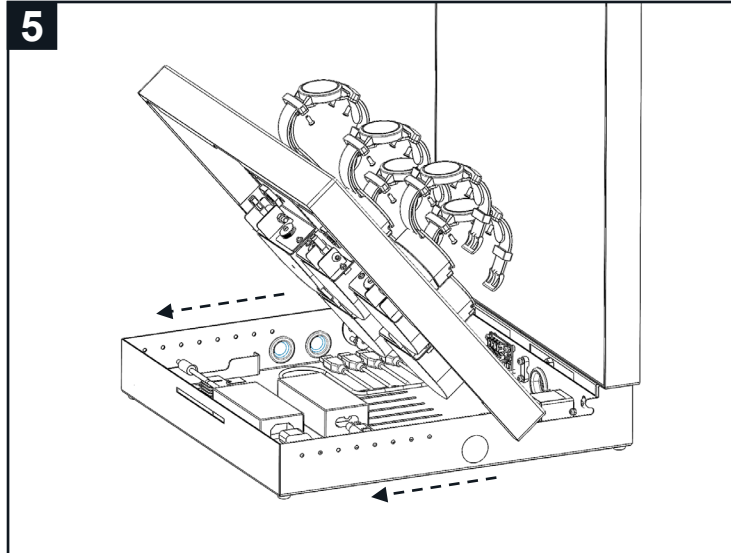
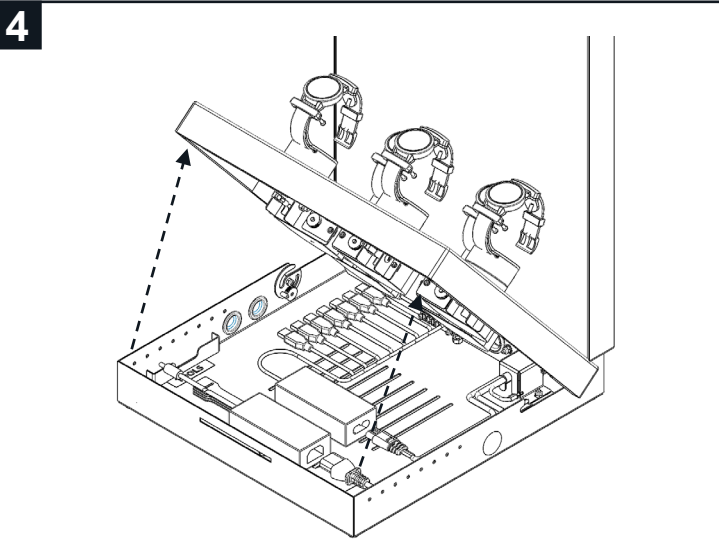
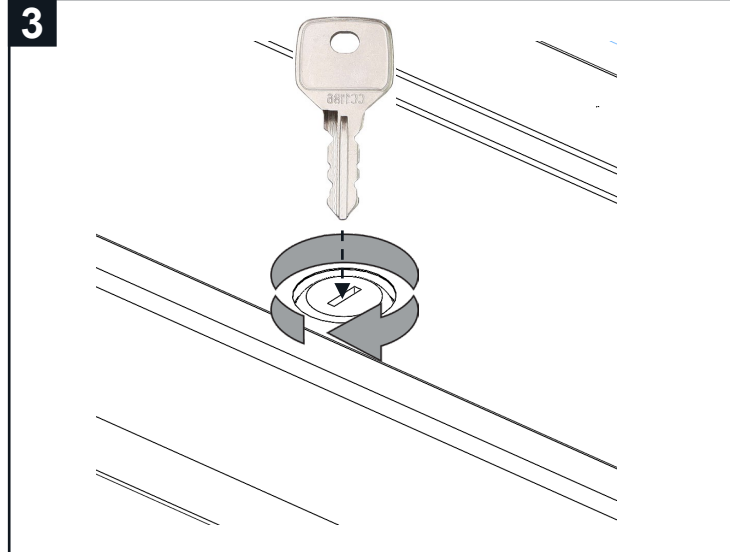
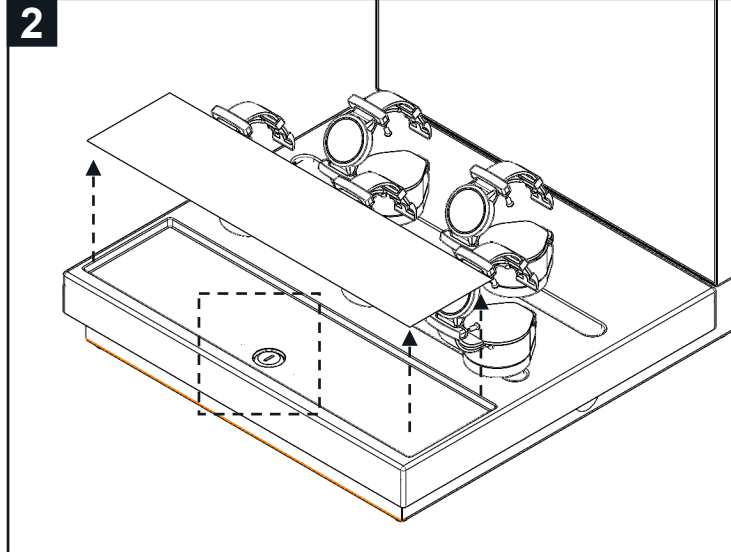
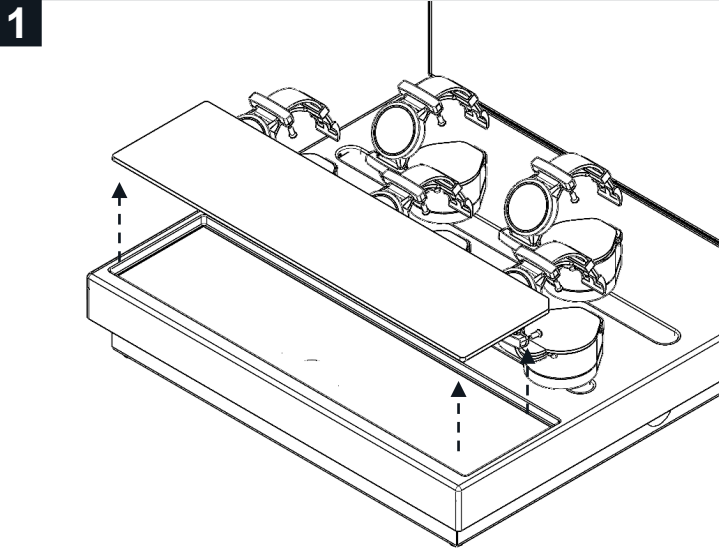
17



18



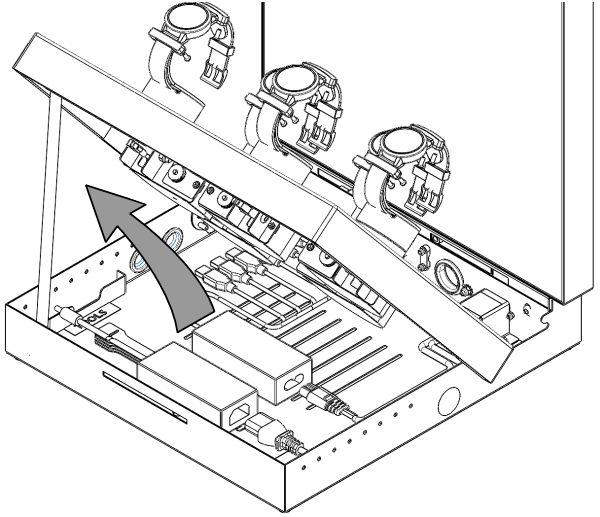
Fitting security to your CTU



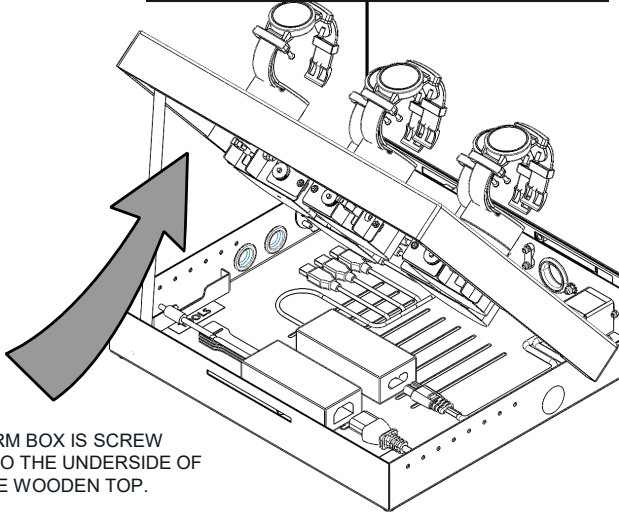
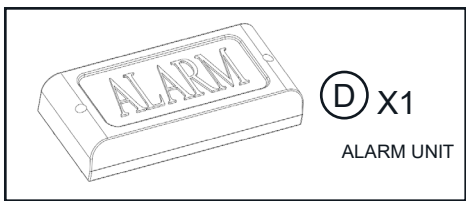
7



RED SUPPORT ARM MUST BE SWUNG INTO POSITION TO SUPPORT TOP PLATE

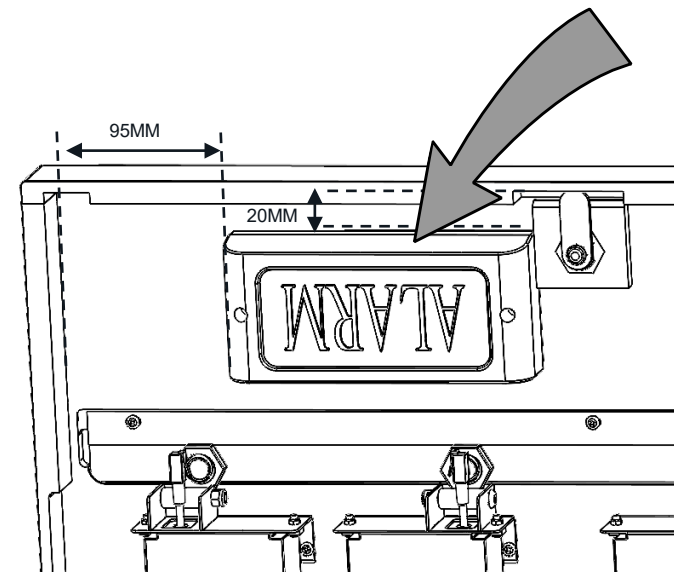


8

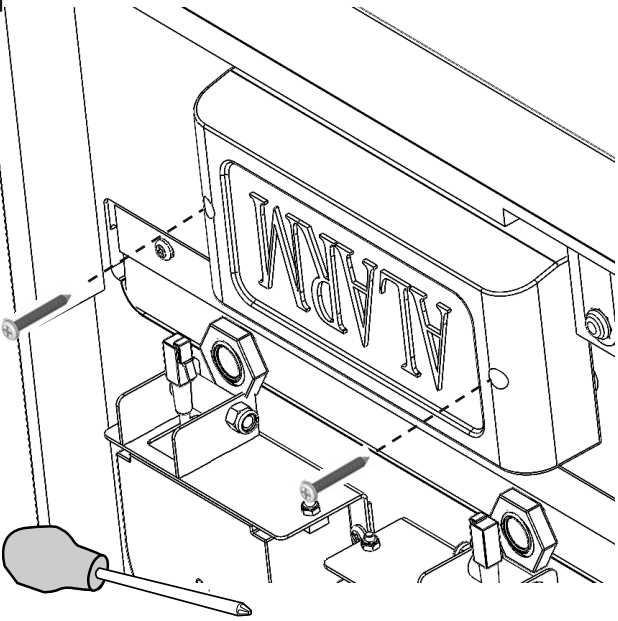


ALARM BOX IS SCREW FITTED TO THE UNDERSIDE OF THE WOODEN TOP.

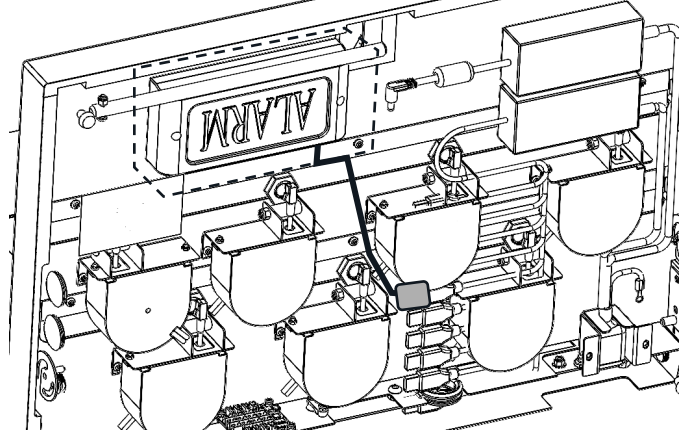
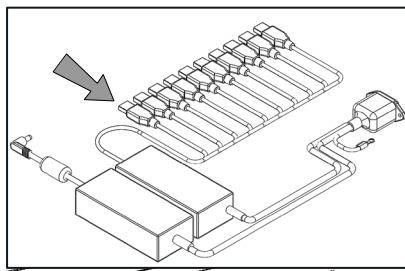
9



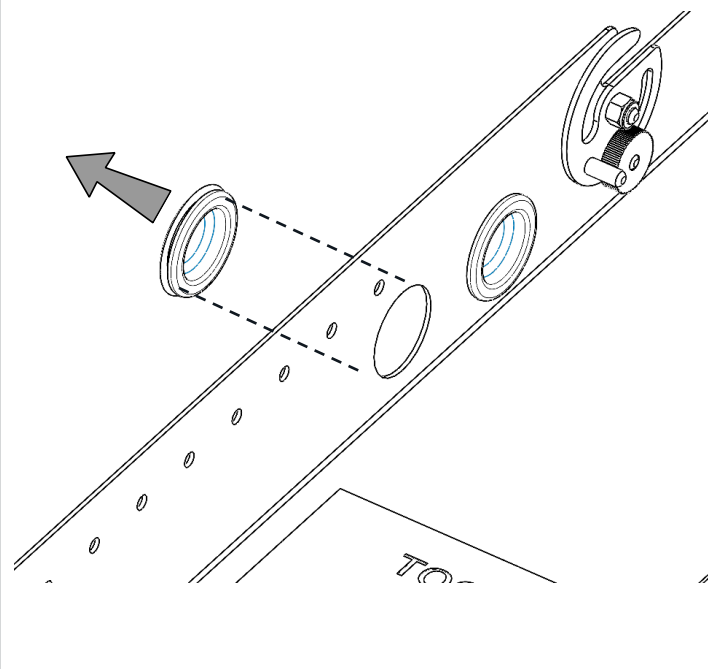
10



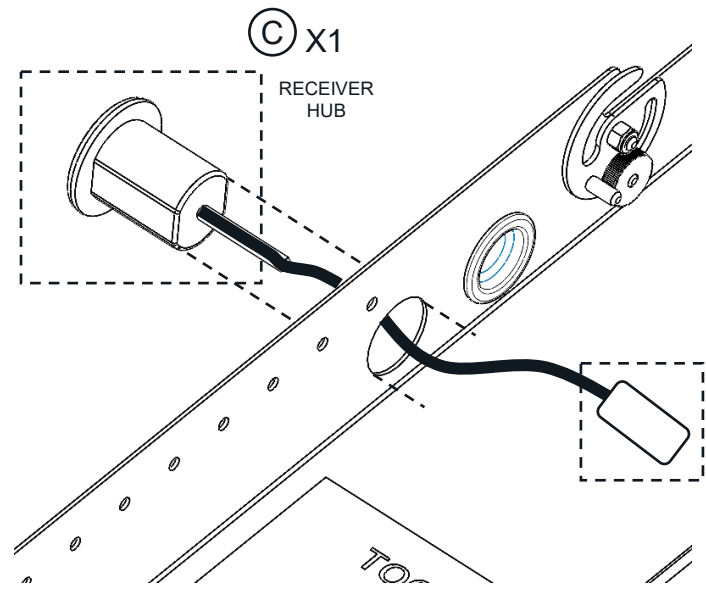
11



12



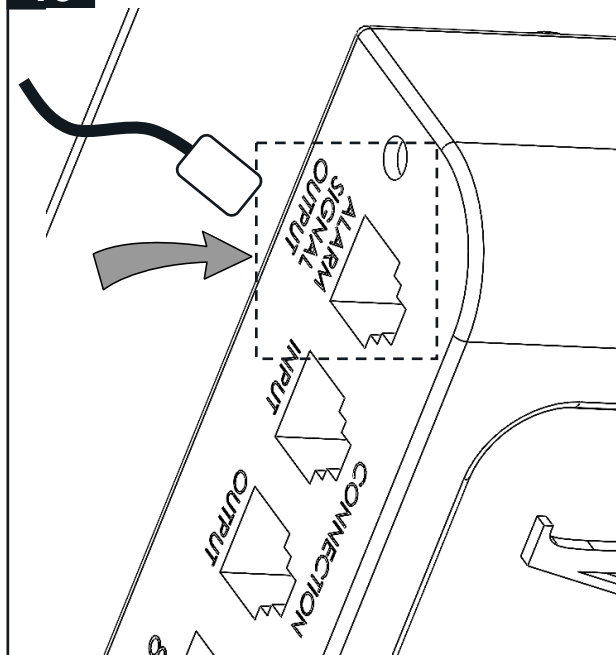
13



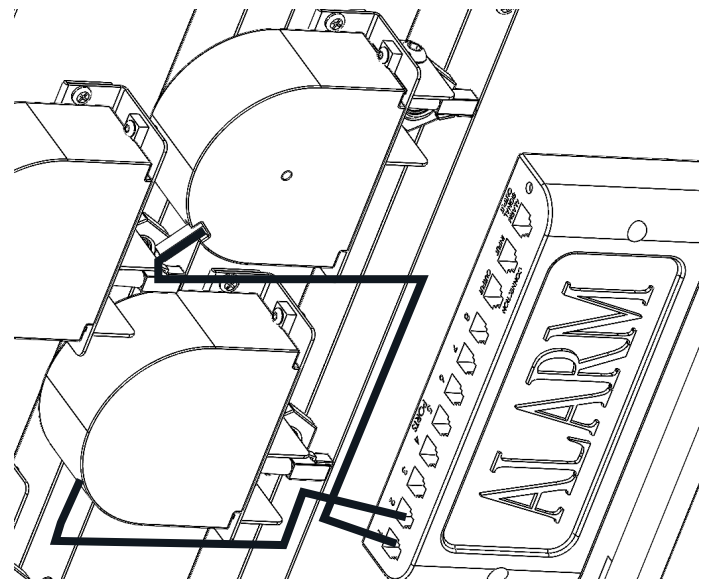
14



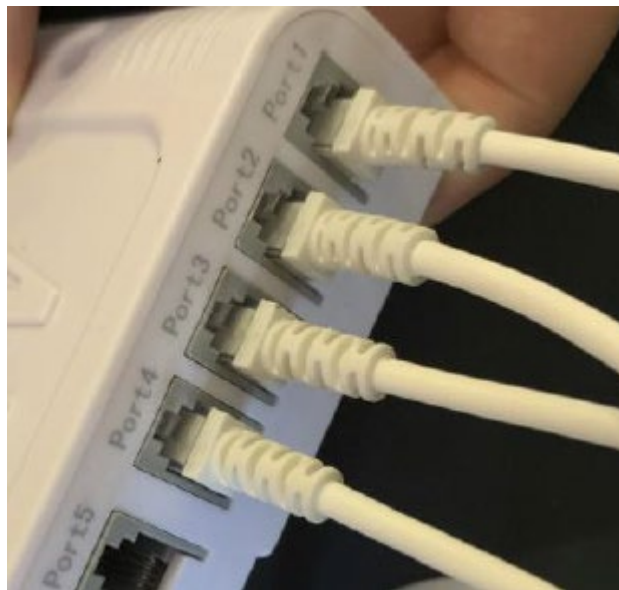
15



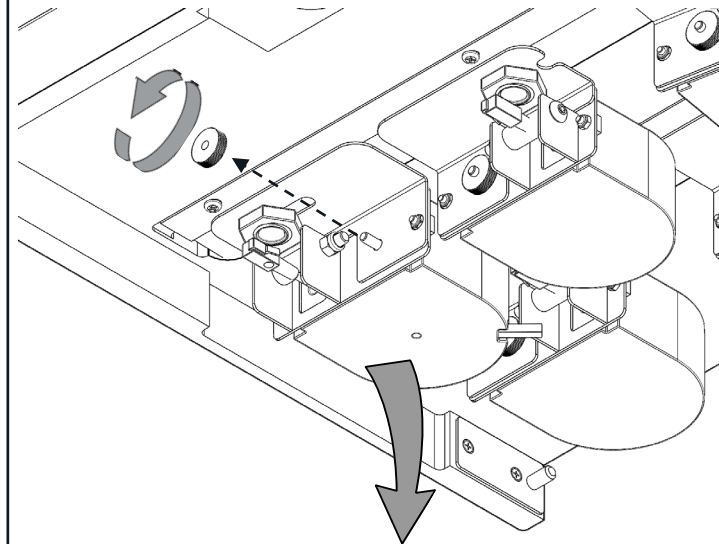
16



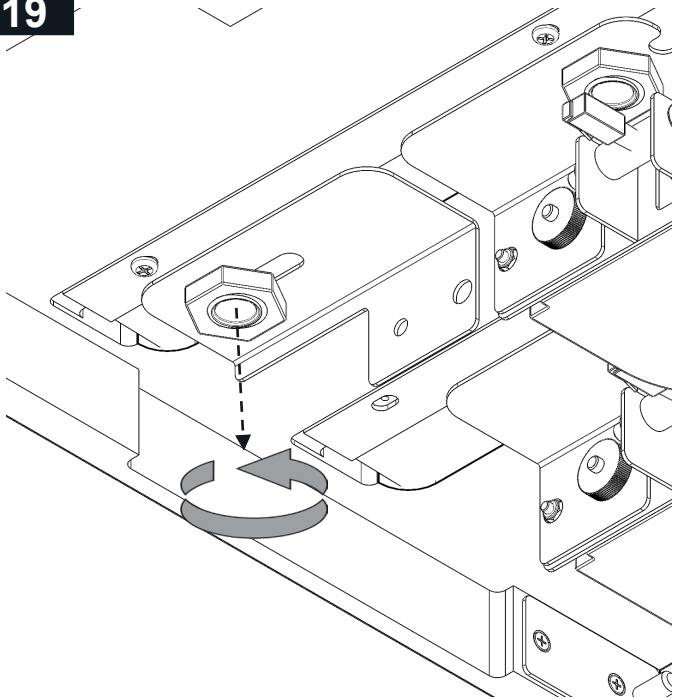
17



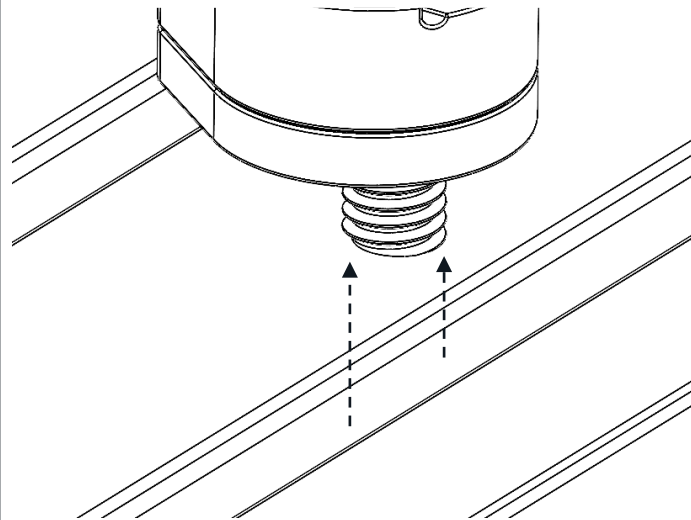
18



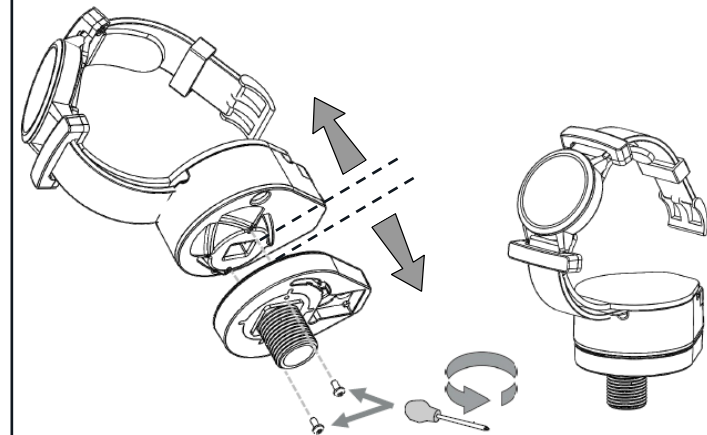
19



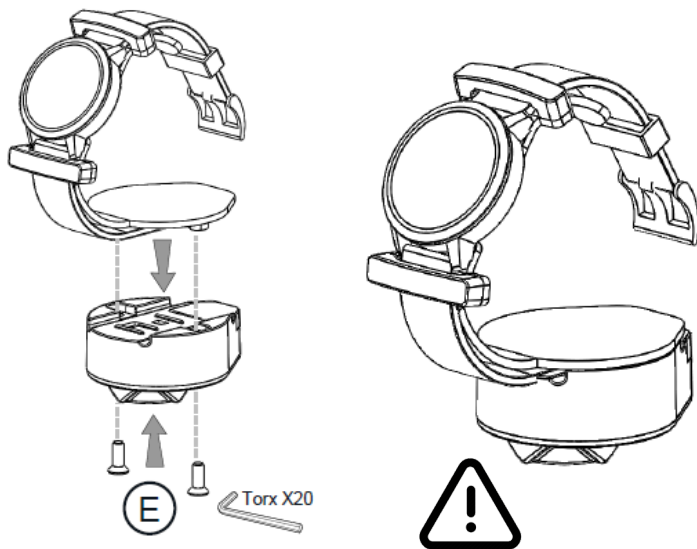
20



21

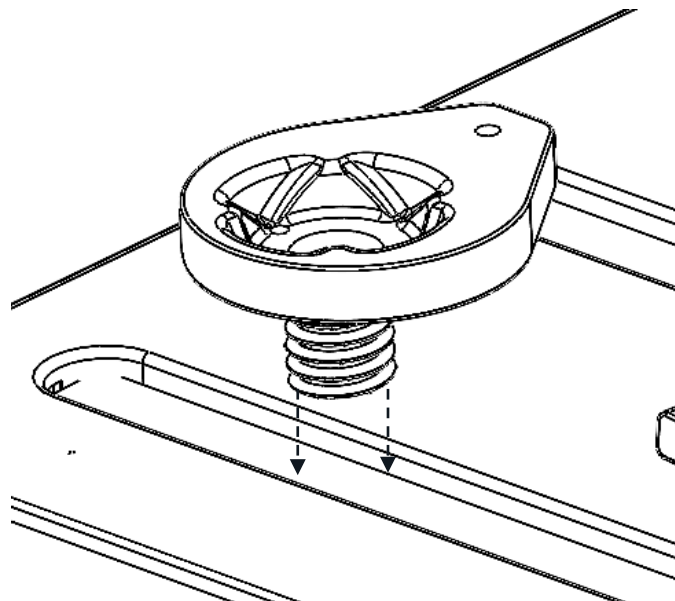


22

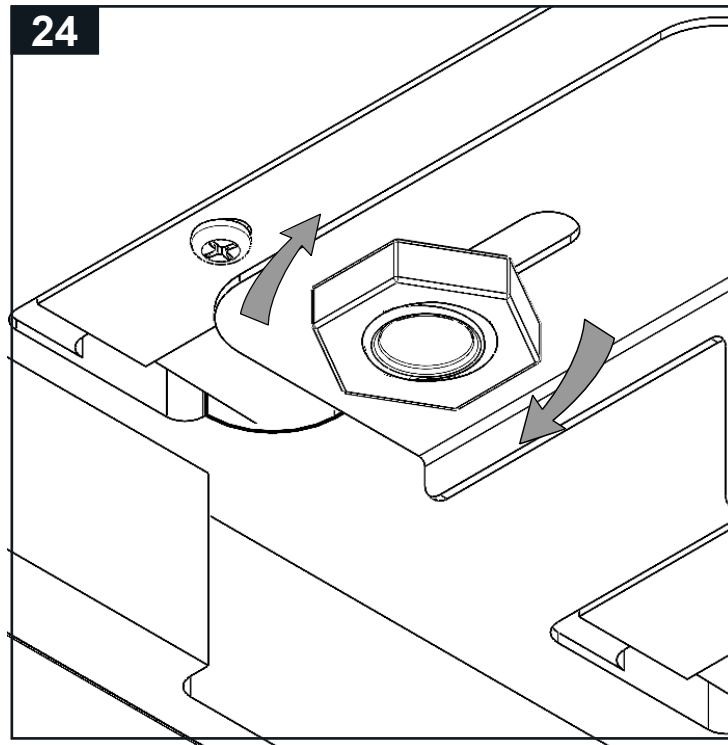


REMOVE EXISTING CRADLE FROM THE
PLASTIC MOULDING SO THAT IT CAN BE
REATTACHED TO GOLD POST IF
REQUIRED

23

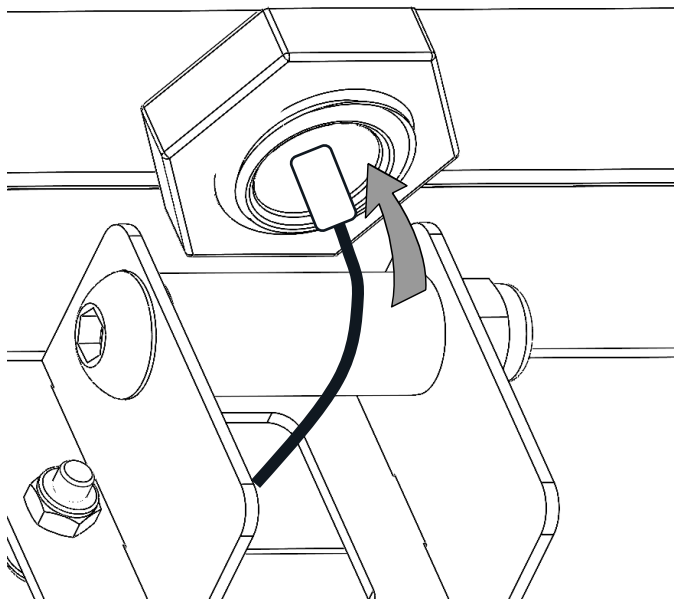


24

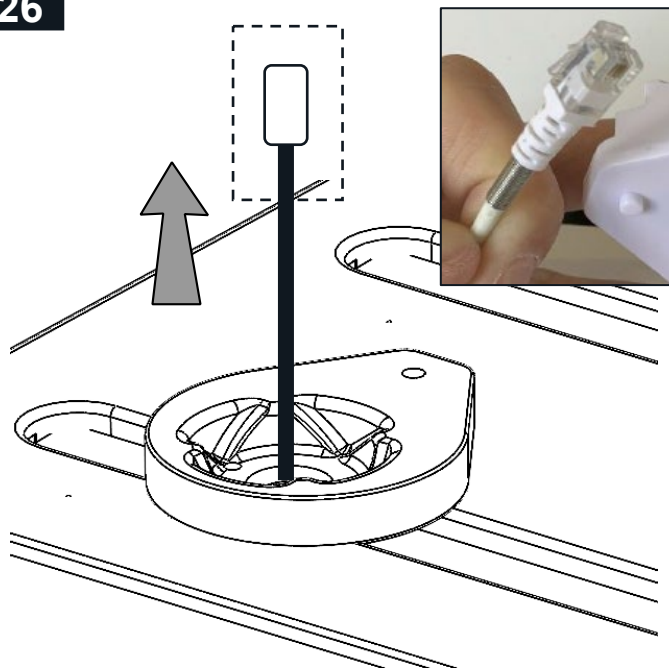


GARMIN®

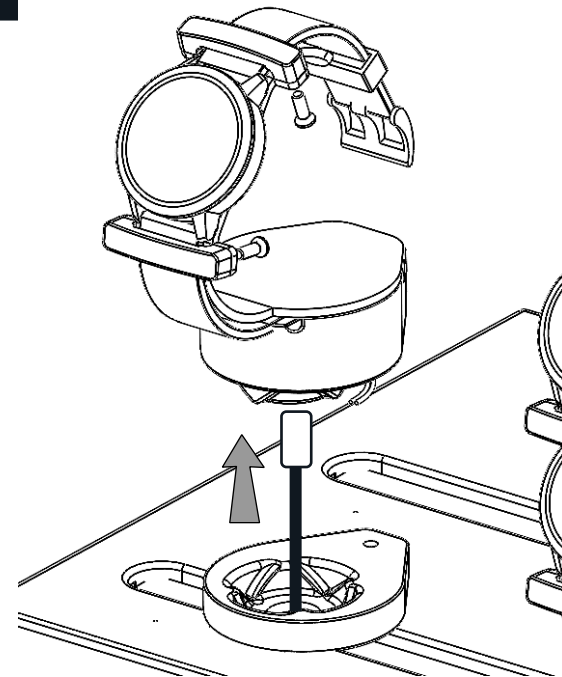
25



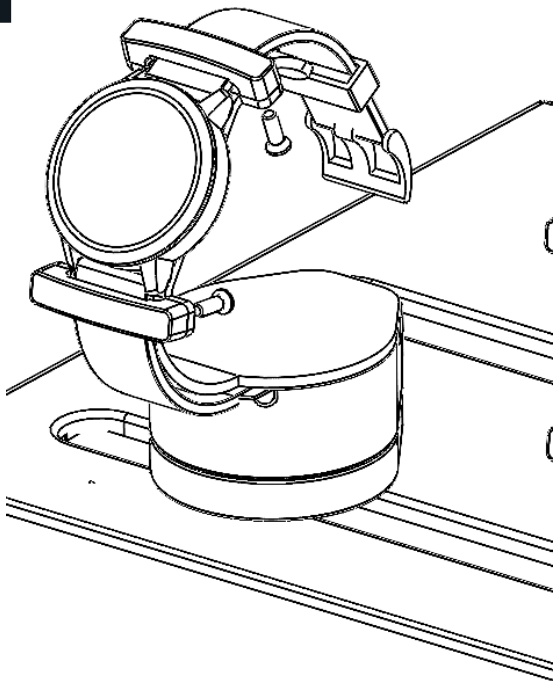
26



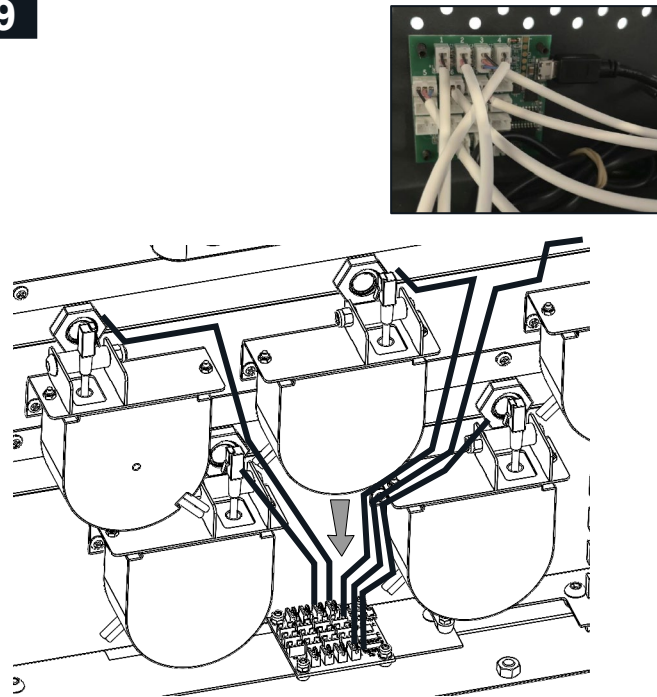
27



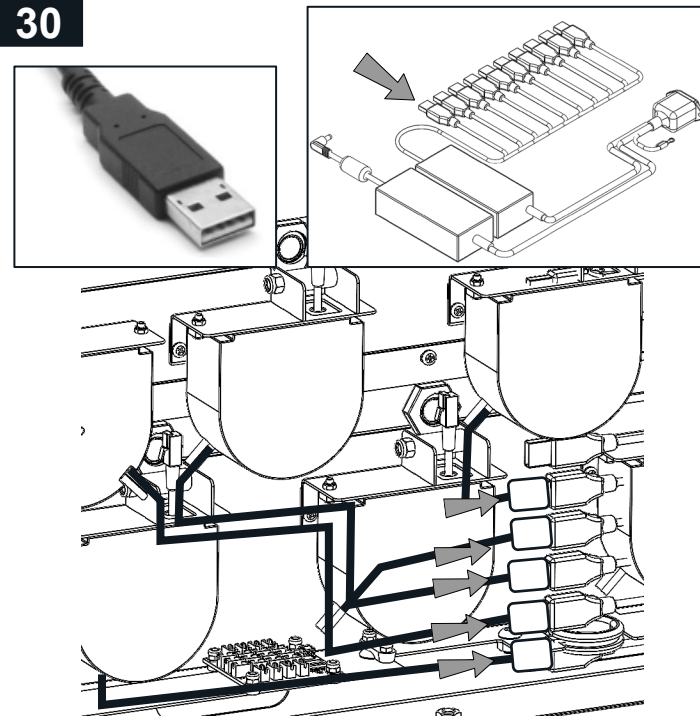
28



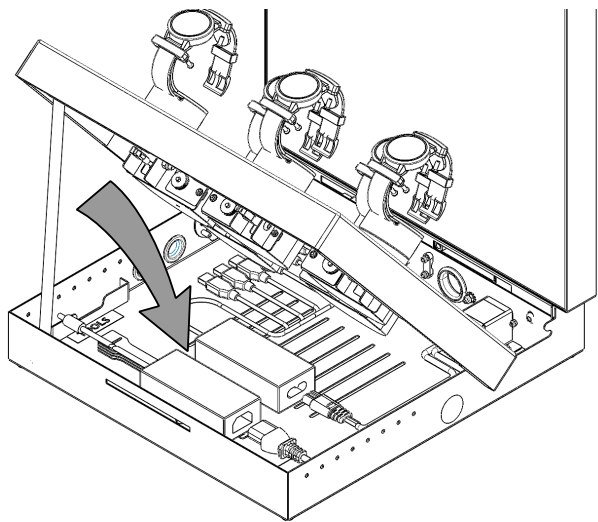
29



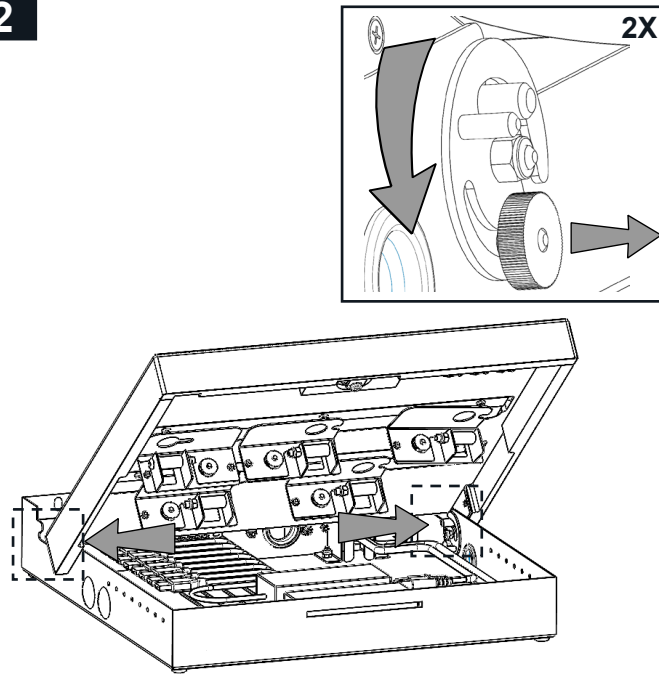
30



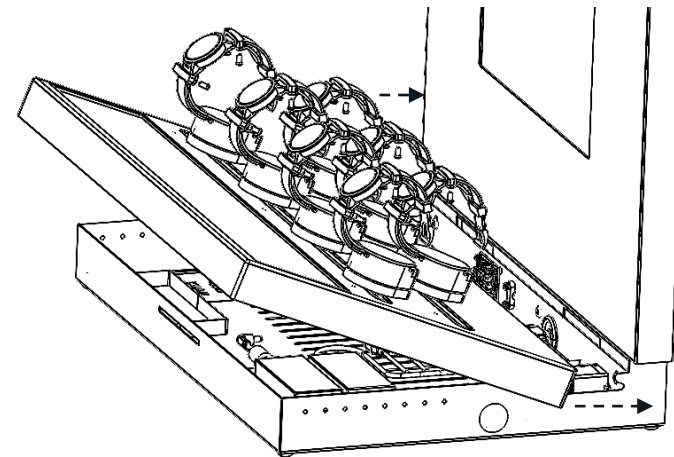
31



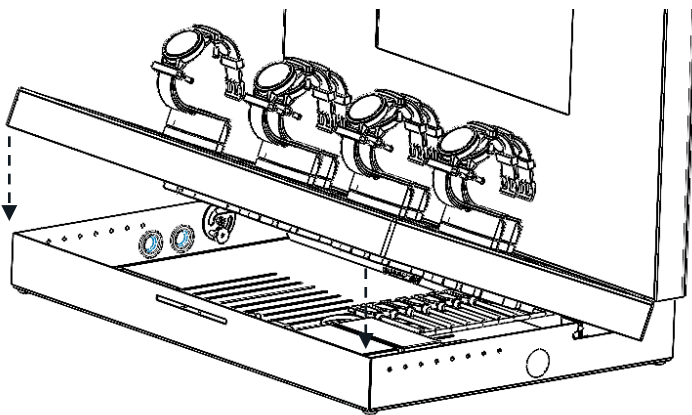
32



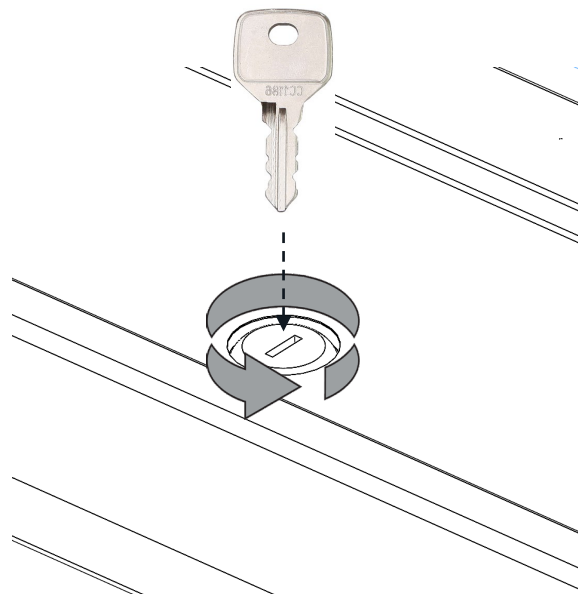
33



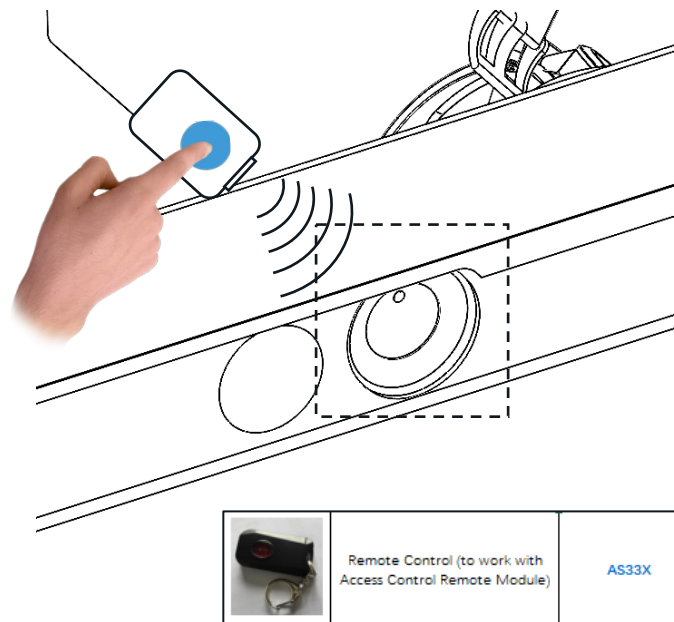
34



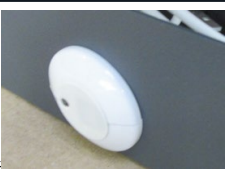
35



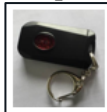
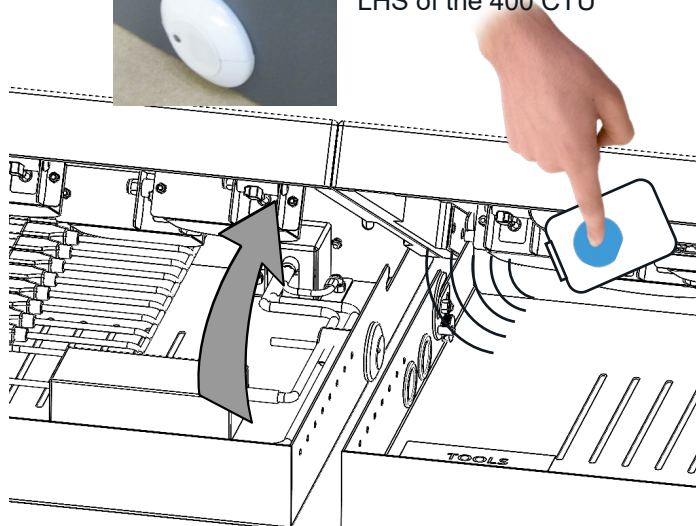
36



37



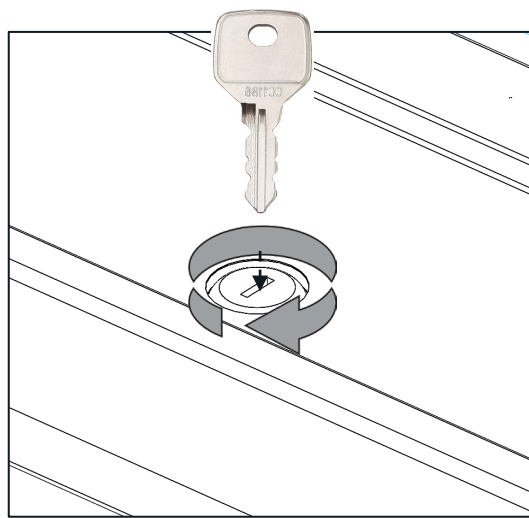
The alarm sensor is on the LHS of the 400 CTU



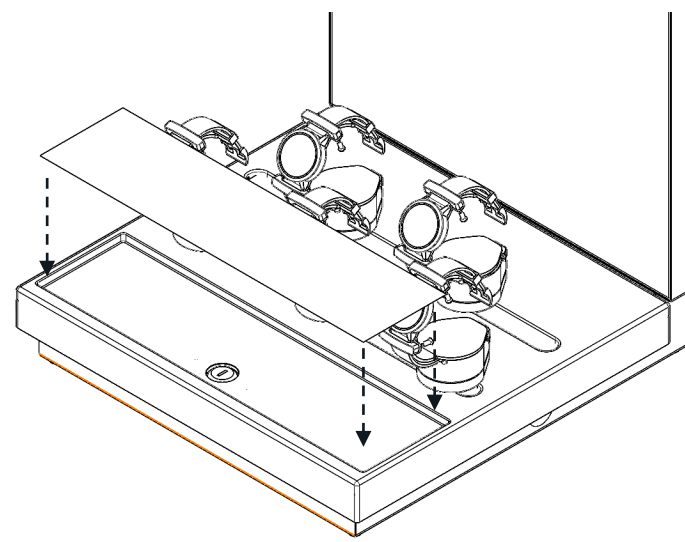
Remote Control (to work with Access Control Remote Module)

AS33X

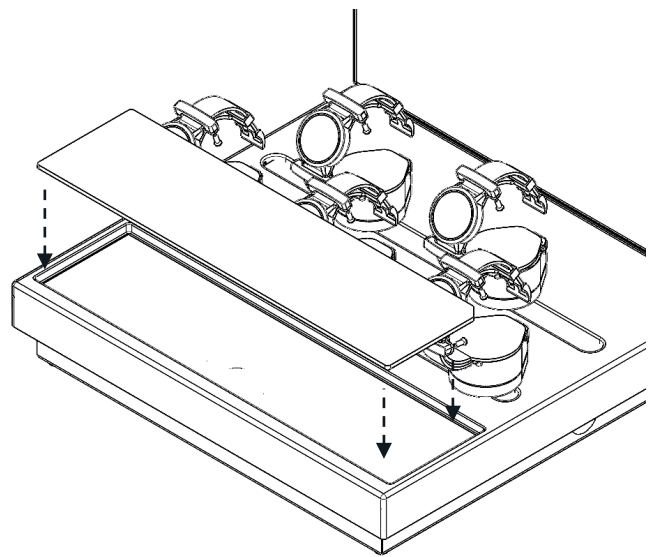
38



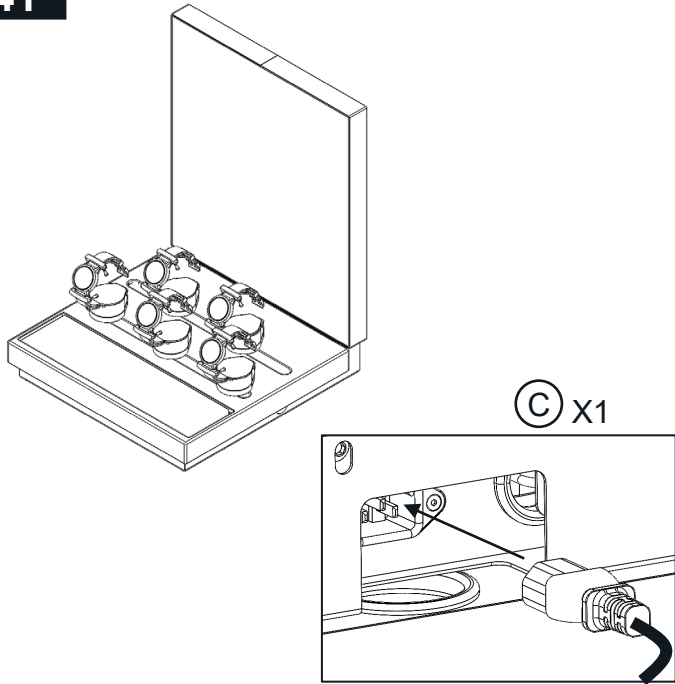
39



40



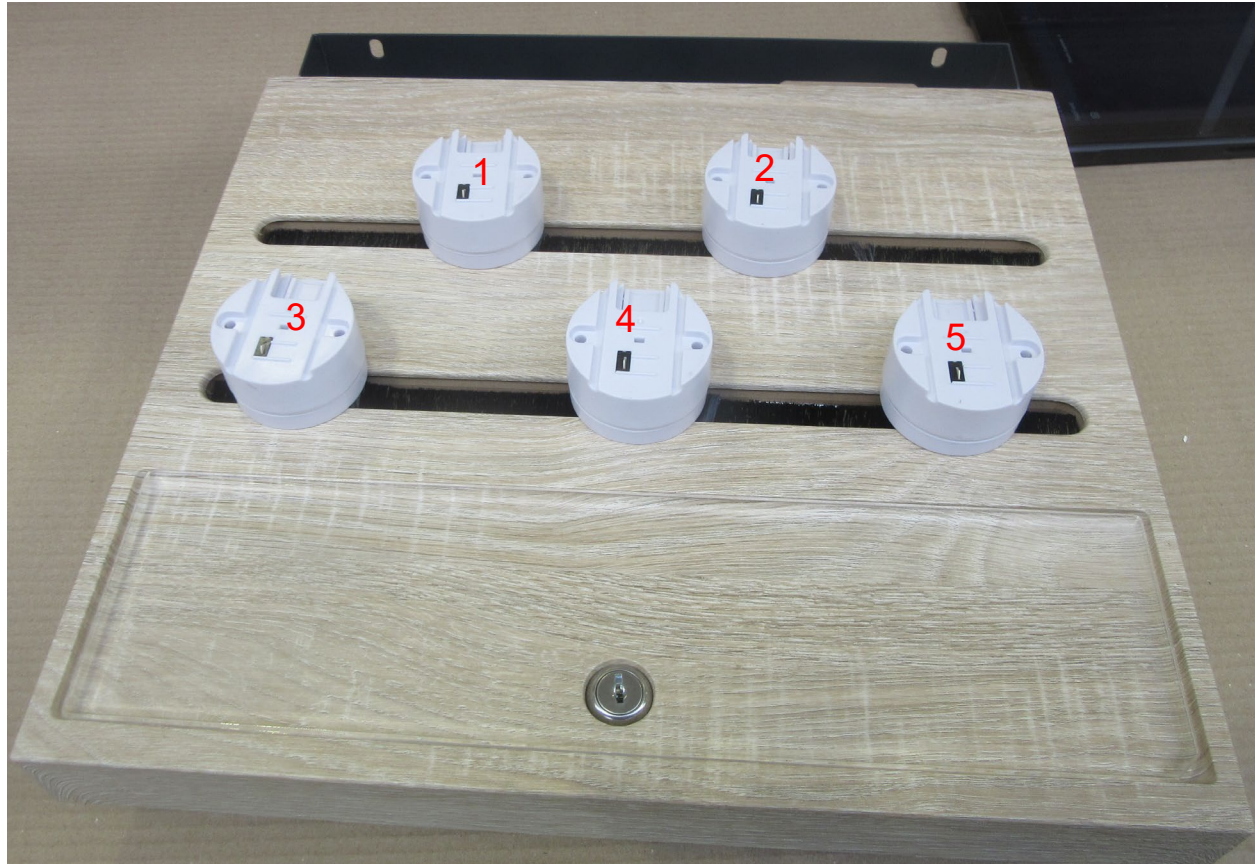
41

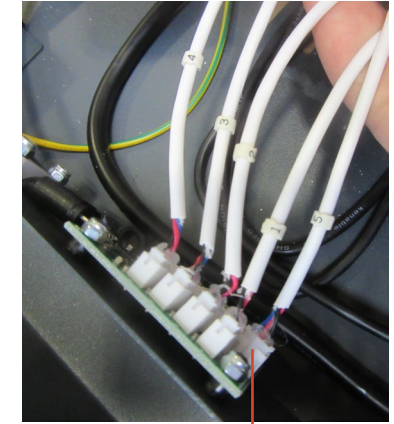


42

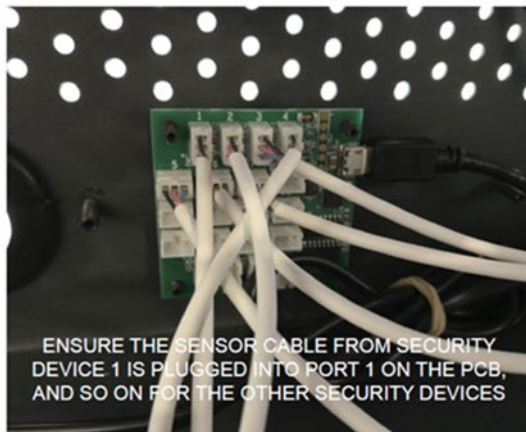


Platinum Security
Lift and Learn function
Power for live products with USB-C Charging
Alarm included
Positions 1-5





Lift and Learn cables
for PCB board
numbered 1-5



ENSURE THE SENSOR CABLE FROM SECURITY
DEVICE 1 IS PLUGGED INTO PORT 1 ON THE PCB,
AND SO ON FOR THE OTHER SECURITY DEVICES



IMPORTANT:
IF YOU NEED TO REMOVE A SENSOR CABLE
USE A PAIR OF LONG NOSE PLIERS.
DO NOT PULL ON THE CABLE