

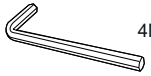
GARMIN

CORPORATE DISPLAY

P12674 | 13/02/2026

CTU + GRAPHIC HEADER +
GOLD POSTS

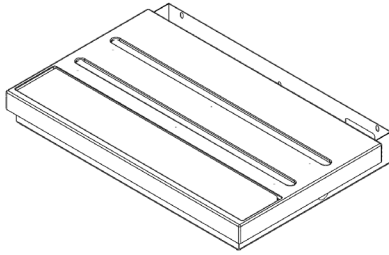
TOOLS REQUIRED – SUPPLIED



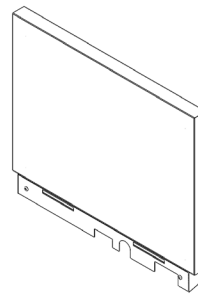
4MM ALLEN KEY

Parts

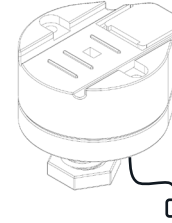
(A) X1
600MM



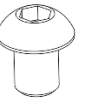
(B) X1
600MM



(B) X7
GOLD
SECURITY
POSTS
(PRE-FITTED)



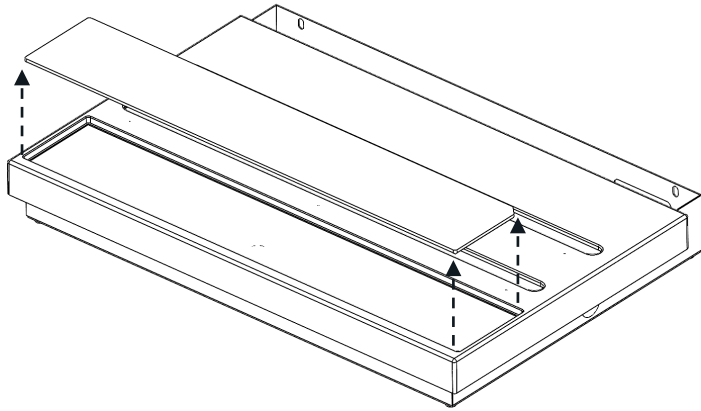
(C) X5
M6X8MM
SCREW



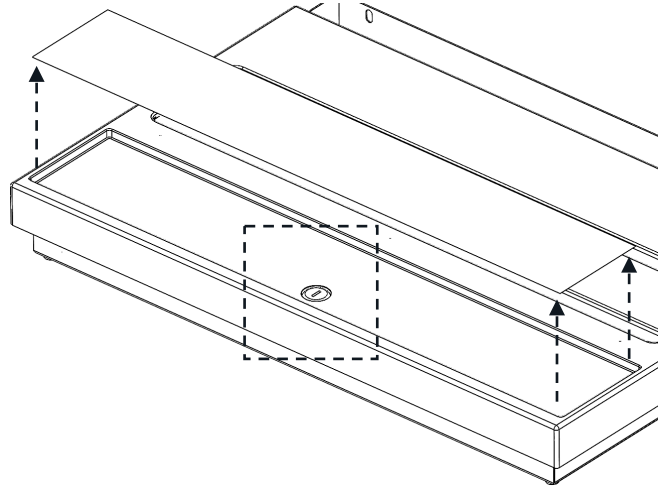
(C) X1



1



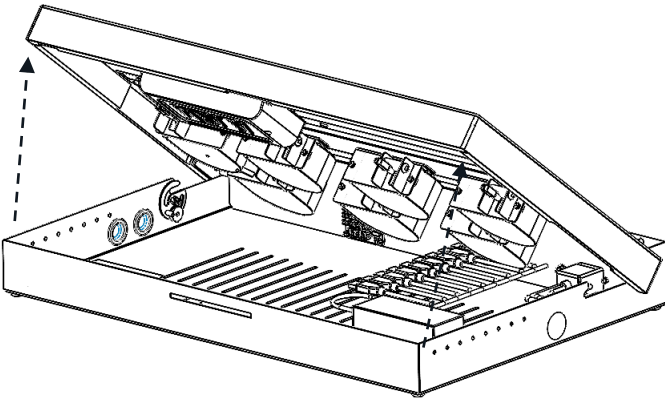
2



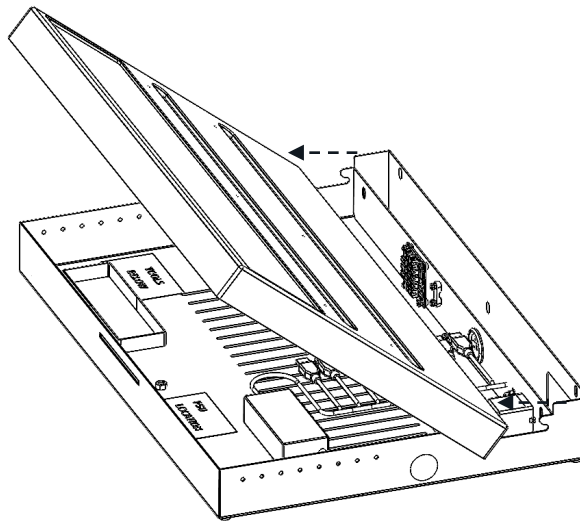
3



4



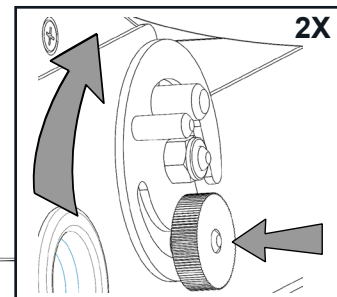
5



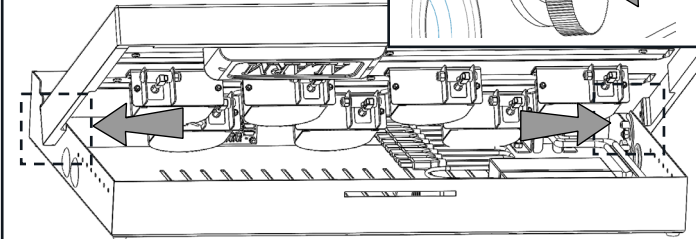
6



MUST TWIST LOCKING PLATES
TO HOLD TOP SURFACE IN
POSITION
(REPEAT BOTH SIDES)



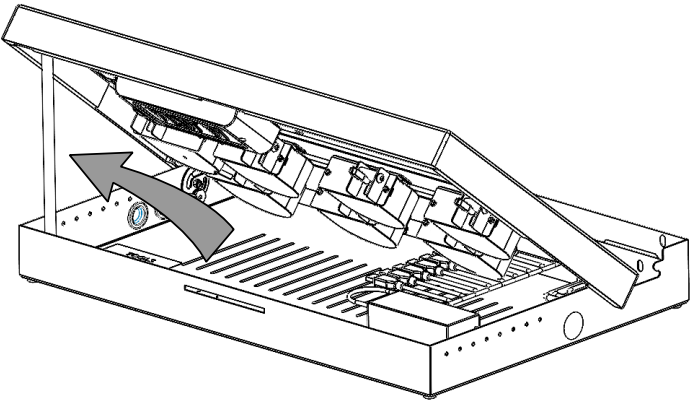
2X



7

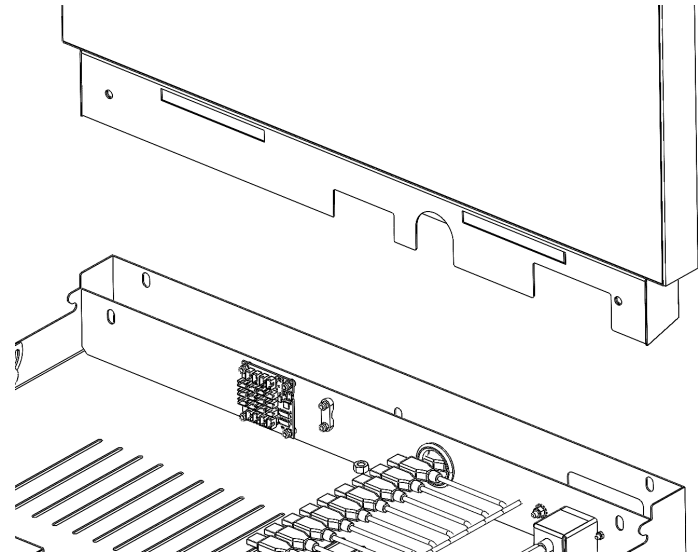


RED SUPPORT ARM MUST BE SWUNG INTO POSITION TO SUPPORT TOP PLATE

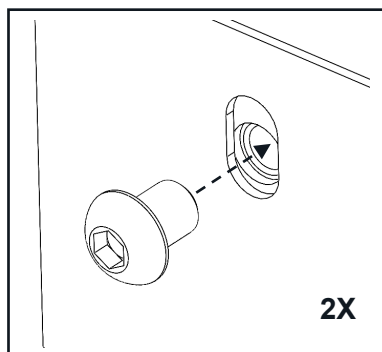


8

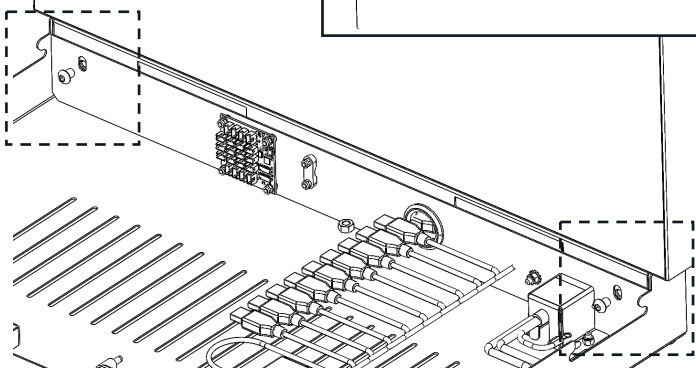
(B) X1



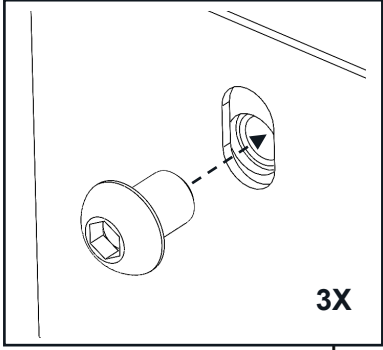
9



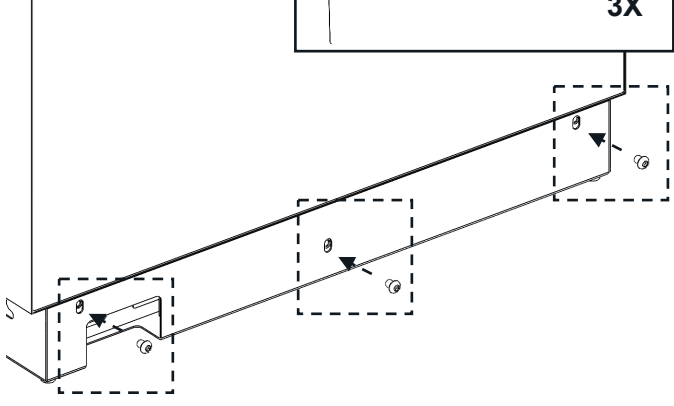
2X



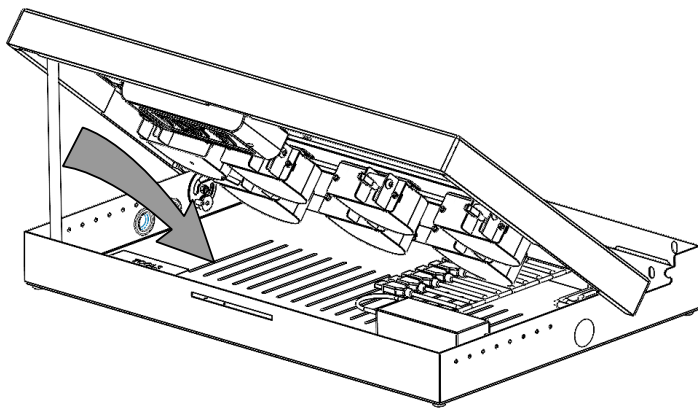
10



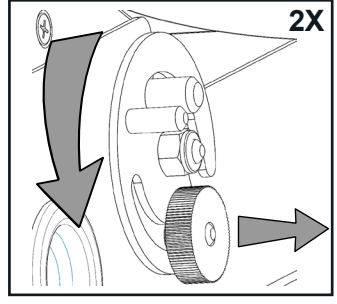
3X



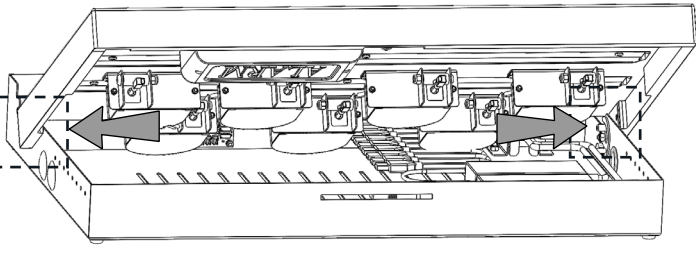
11



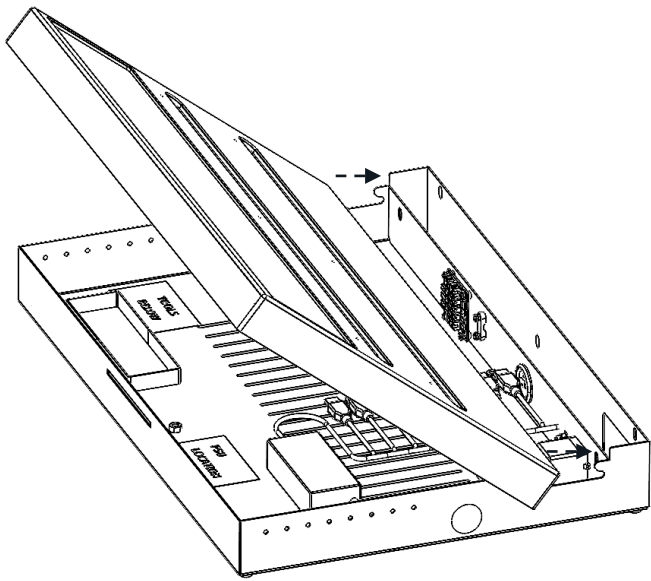
12



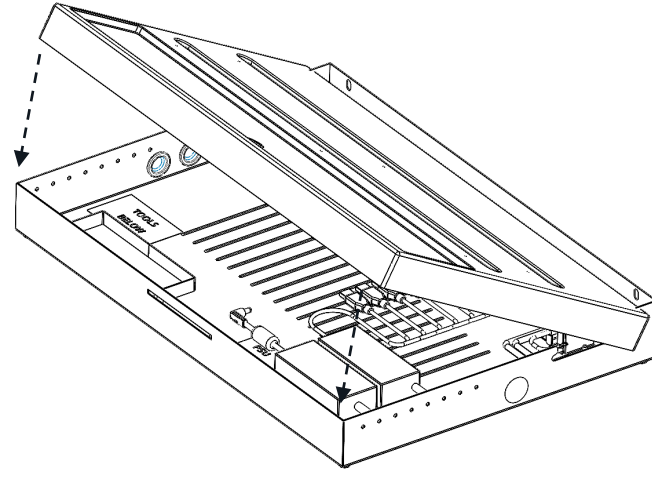
2X



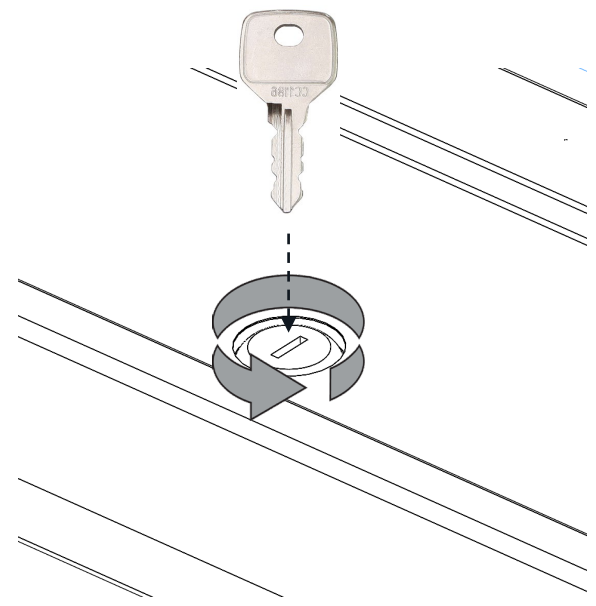
13



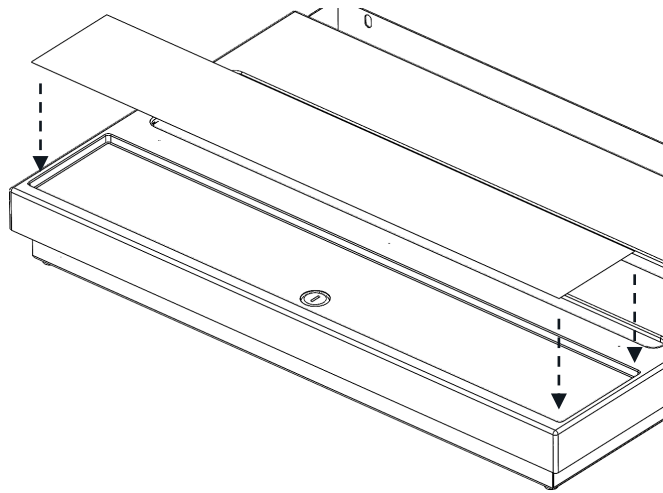
14



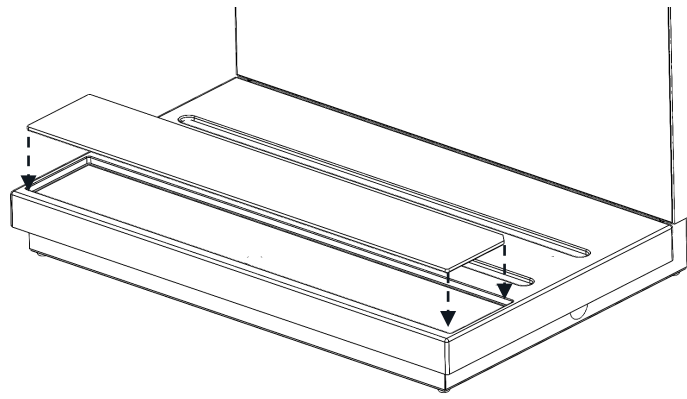
15



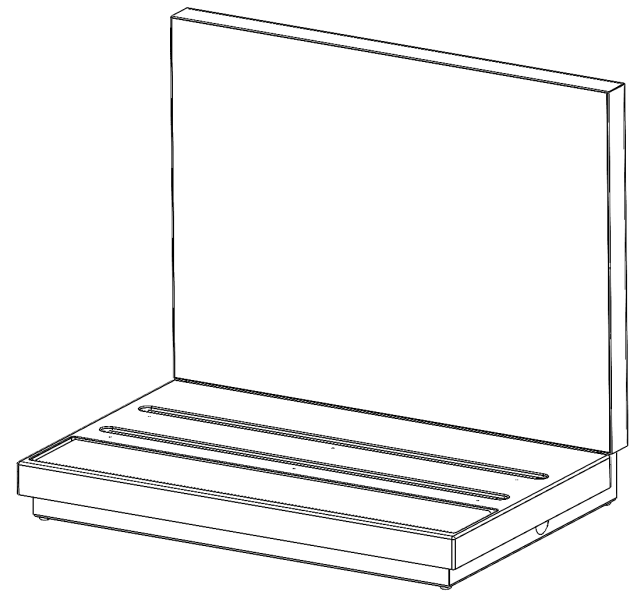
16



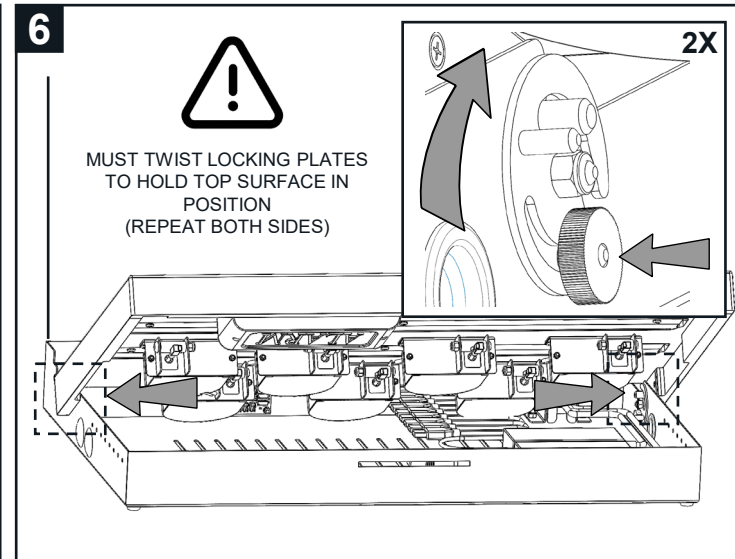
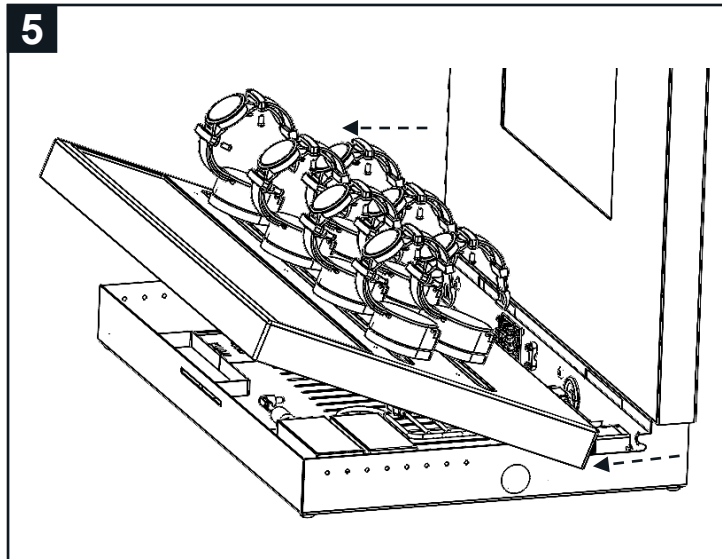
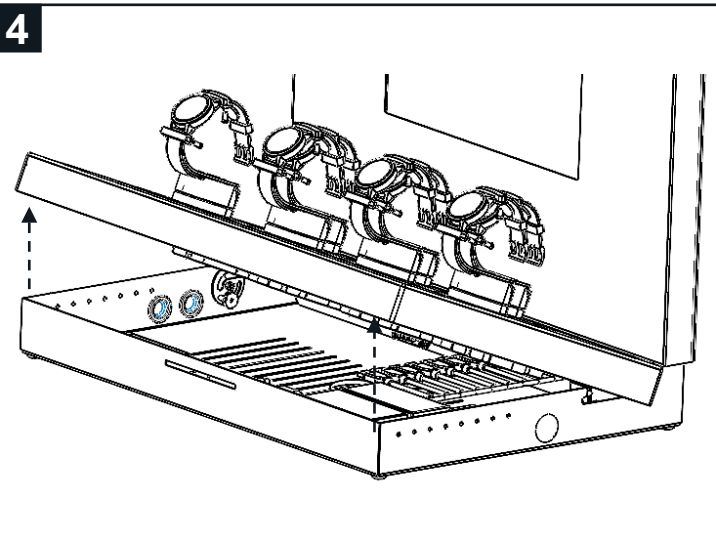
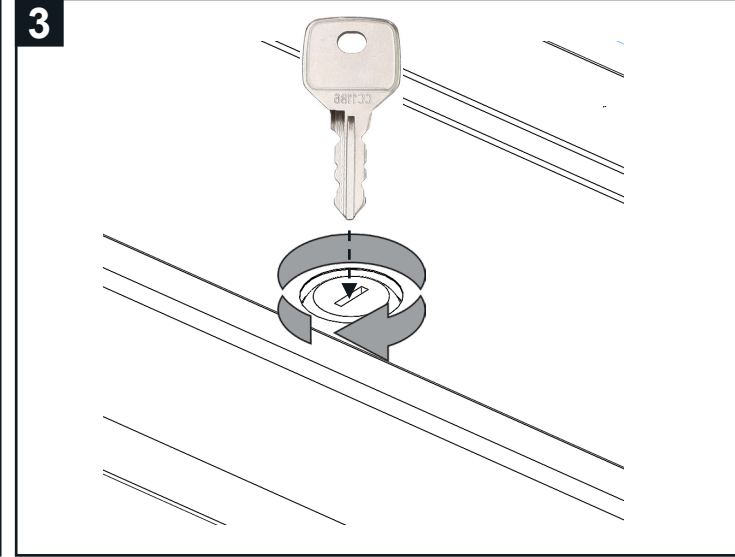
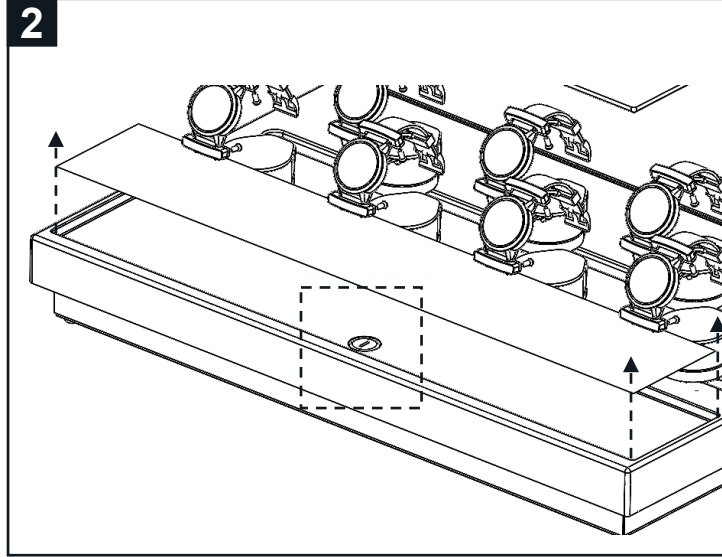
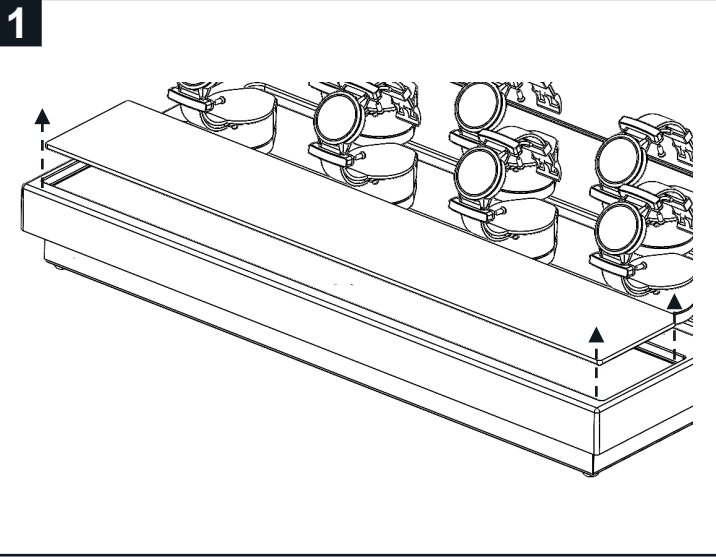
17



18



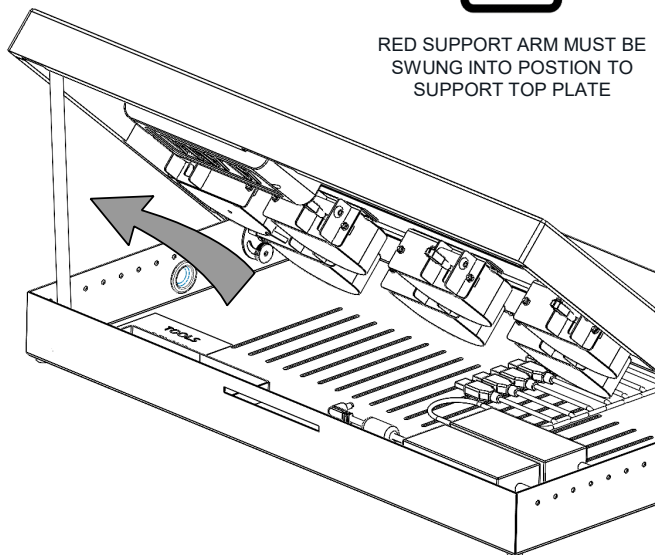
Fitting security to your CTU



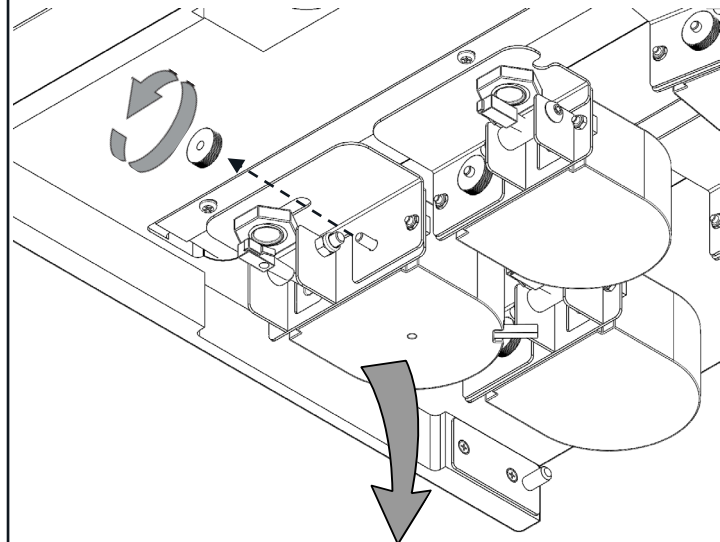
7



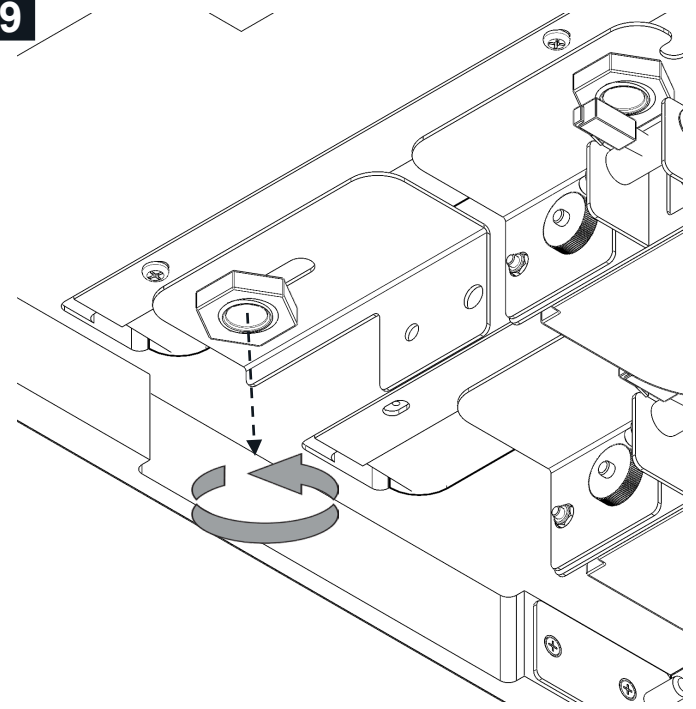
RED SUPPORT ARM MUST BE SWUNG INTO POSITION TO SUPPORT TOP PLATE



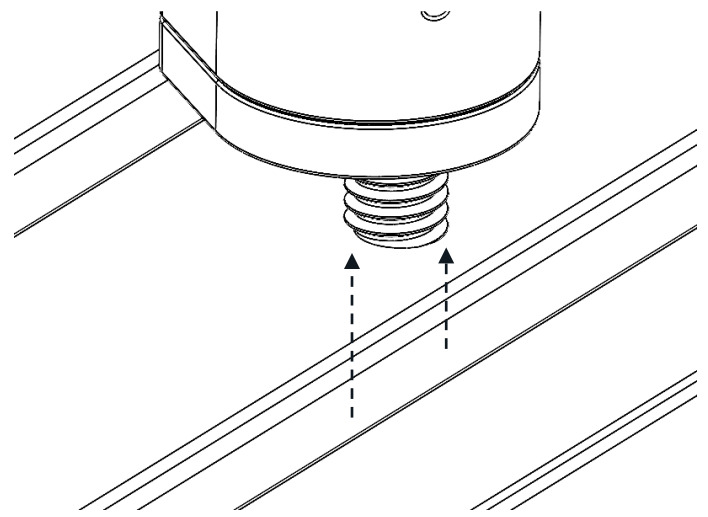
8



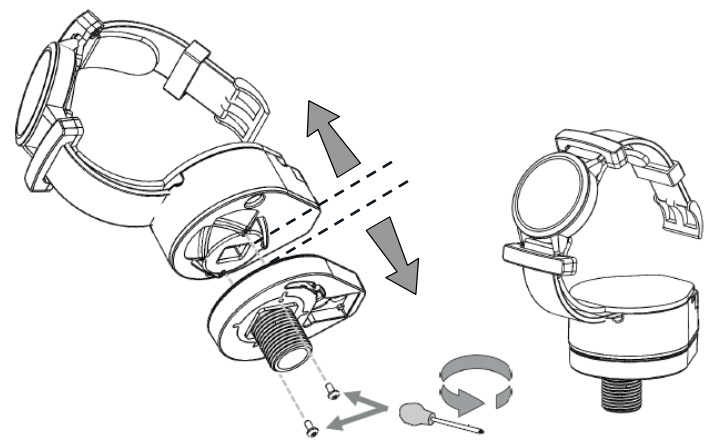
9



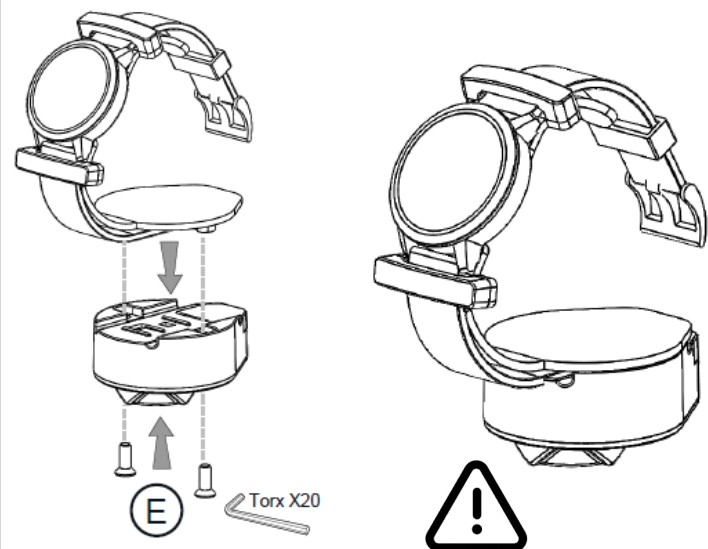
10



11

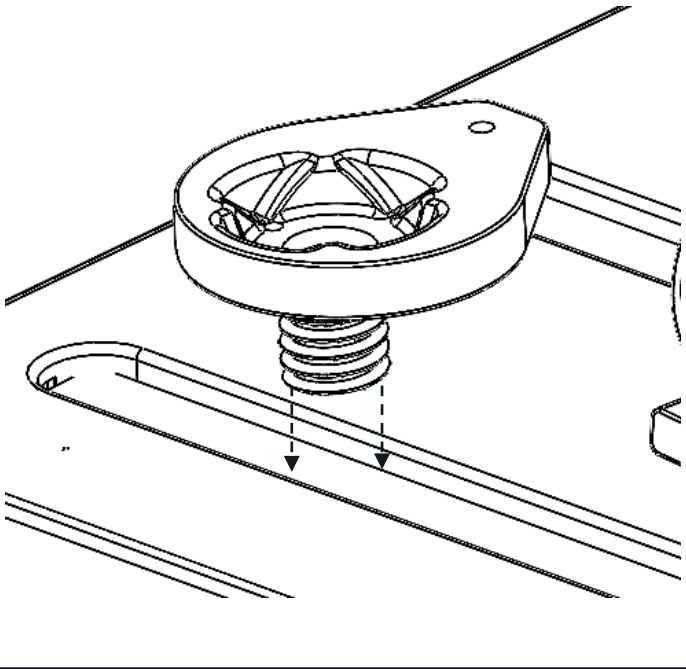


12

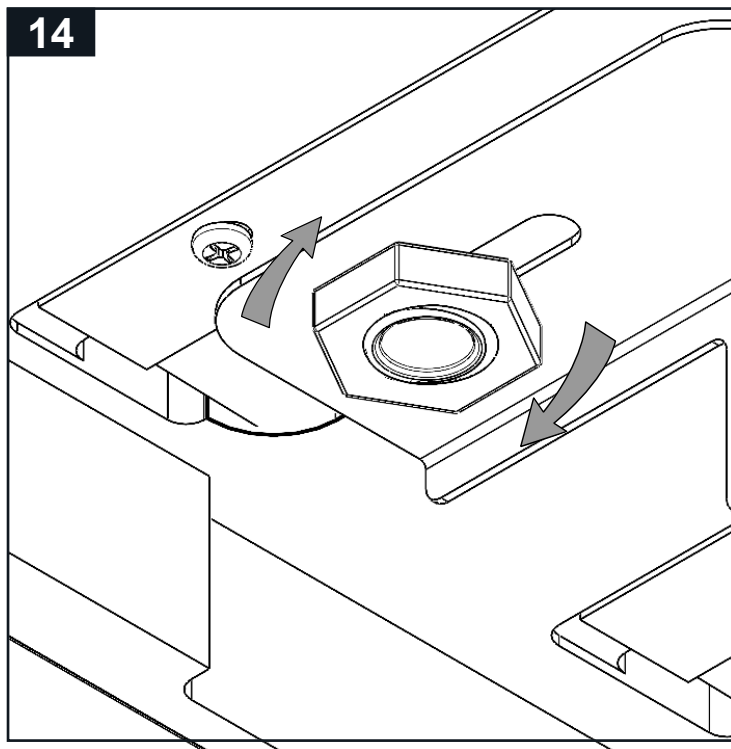


REMOVE EXISTING CRADLE FROM THE PLASTIC MOULDING SO THAT IT CAN BE REATTACHED TO GOLD POST IF REQUIRED

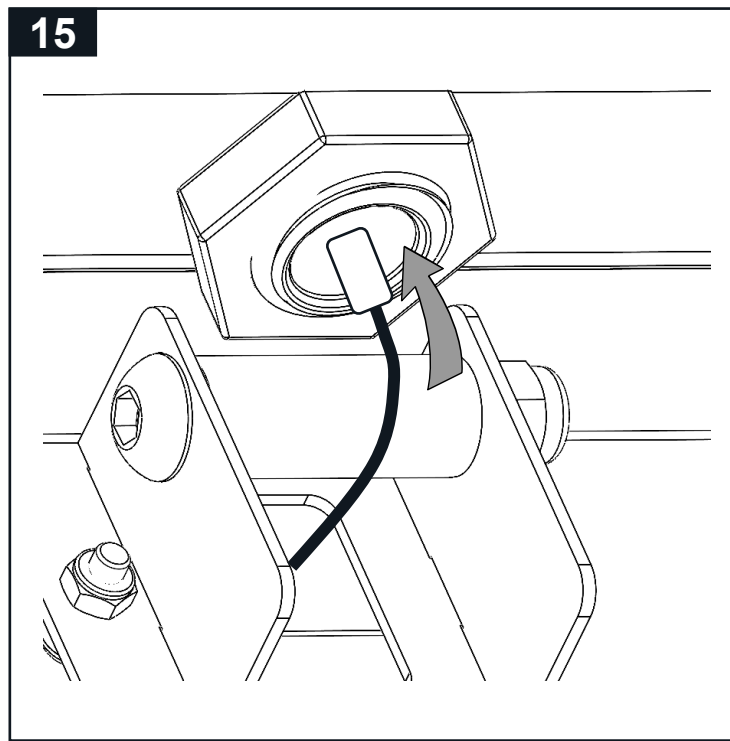
13



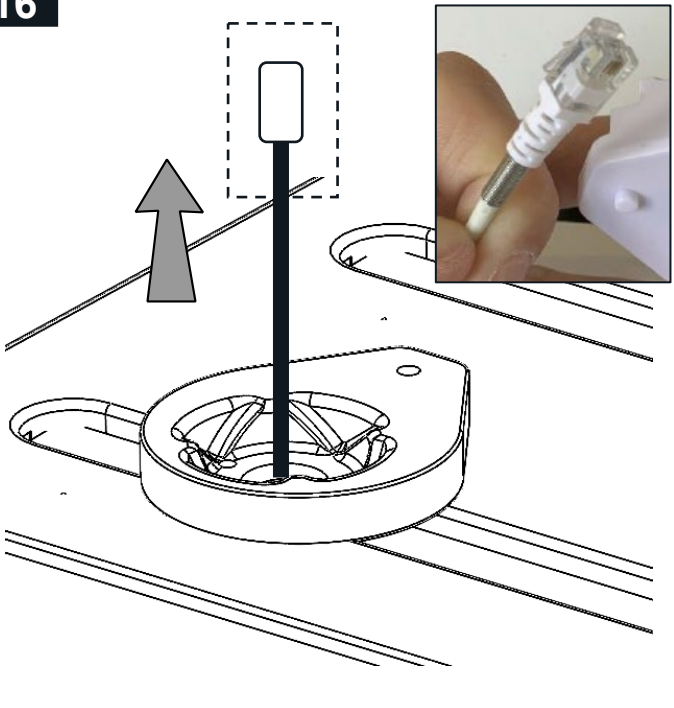
14



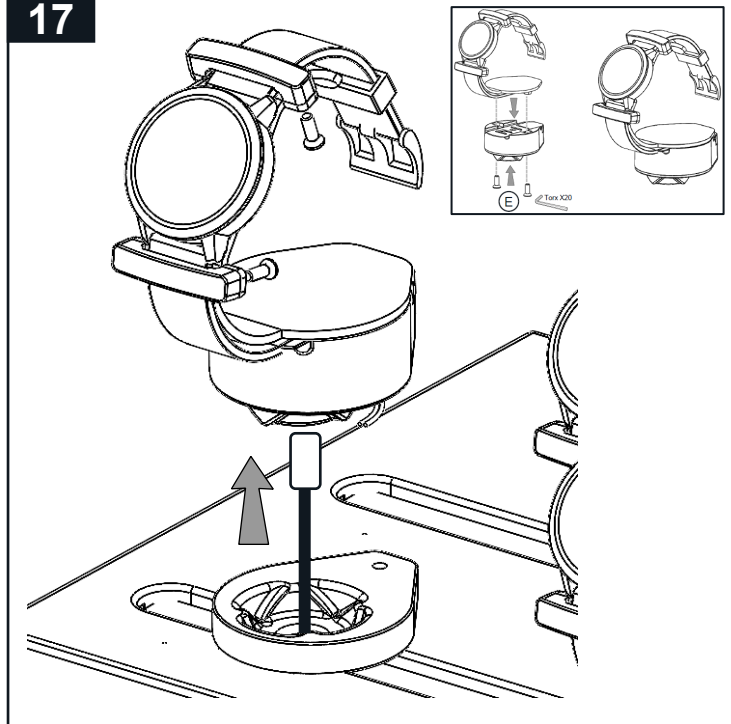
15



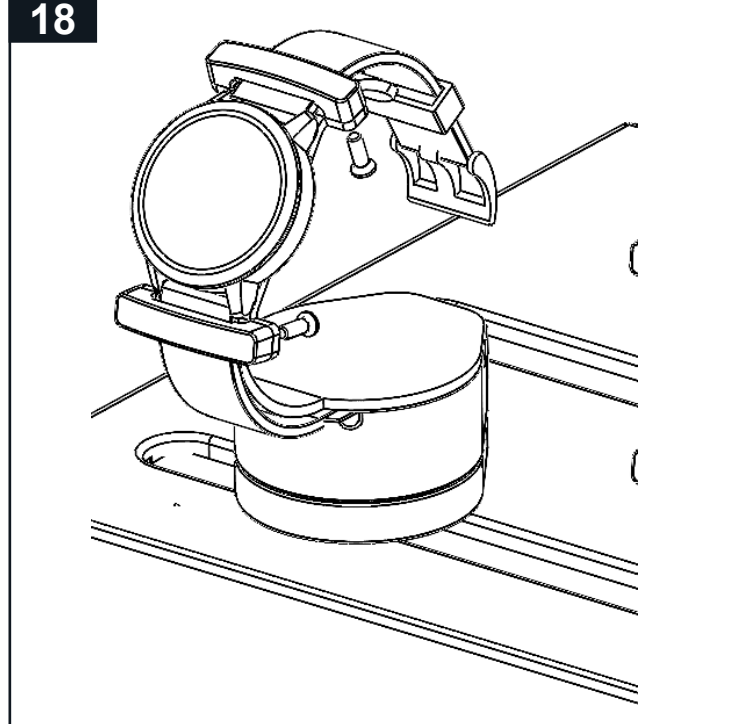
16



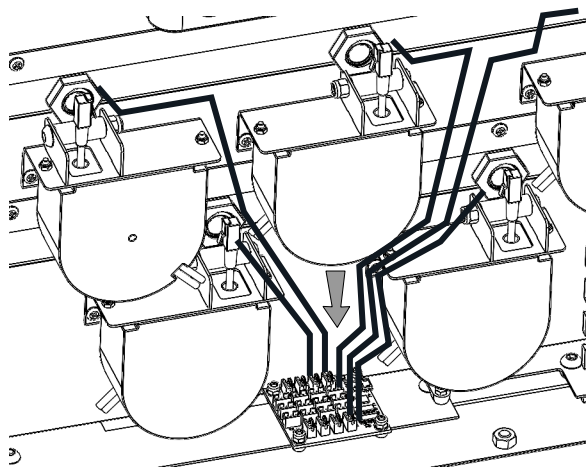
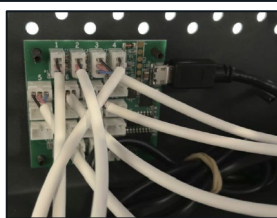
17



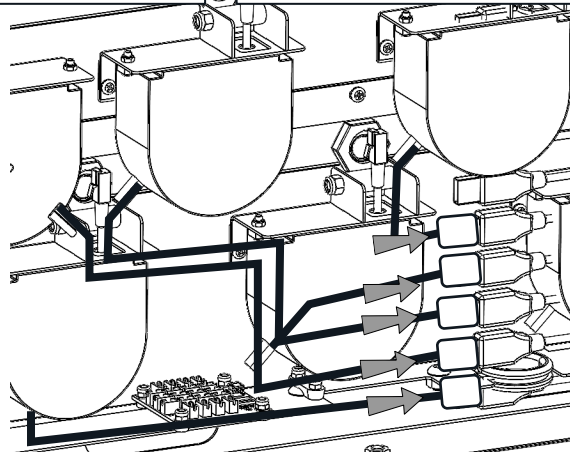
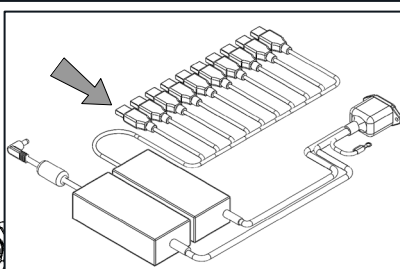
18



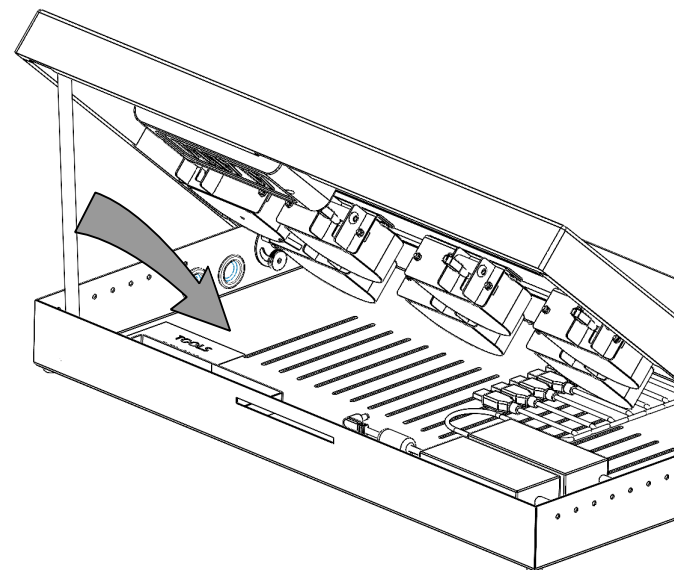
19



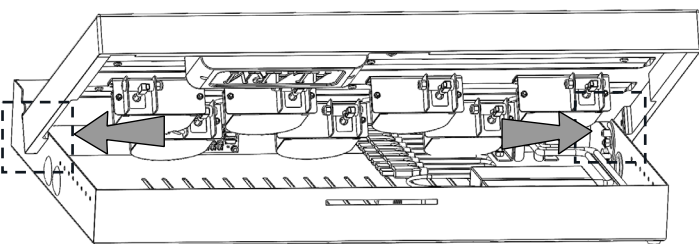
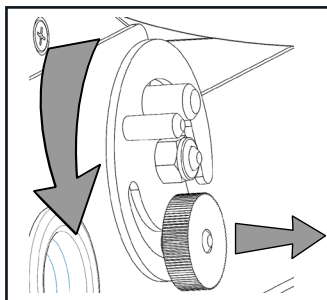
20



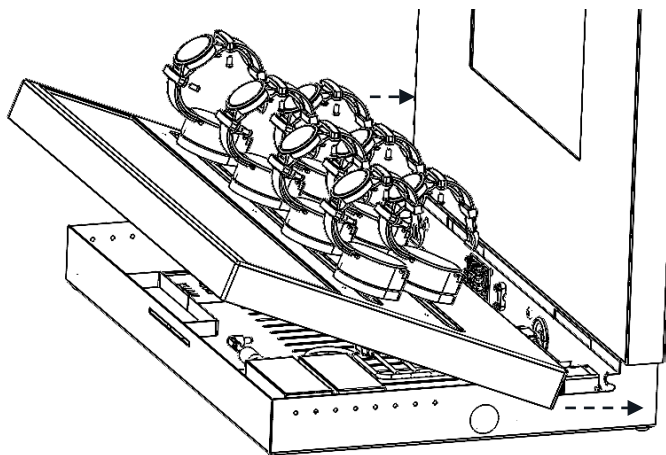
21



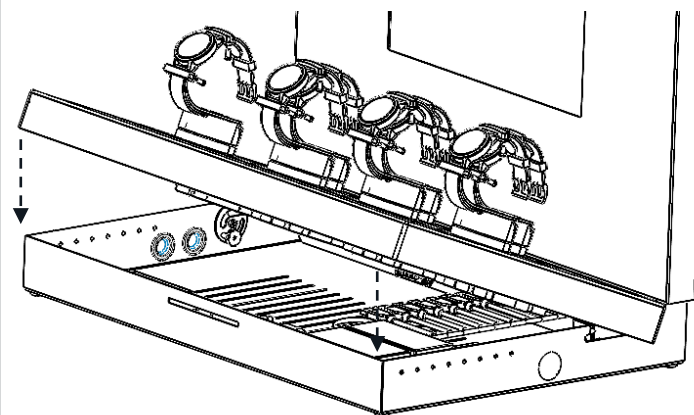
22



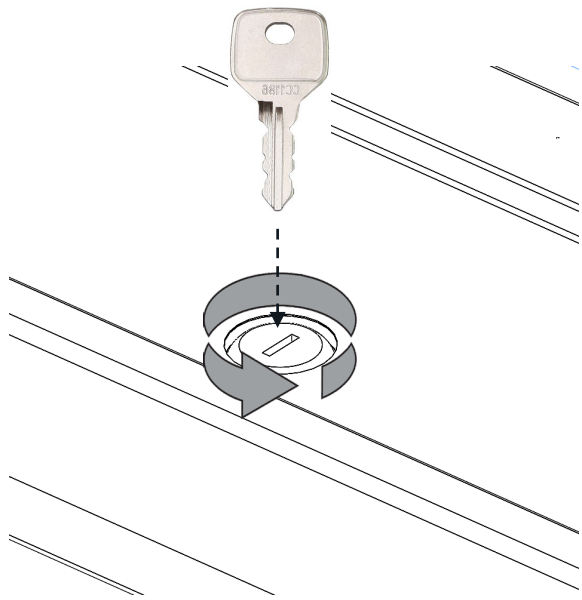
23



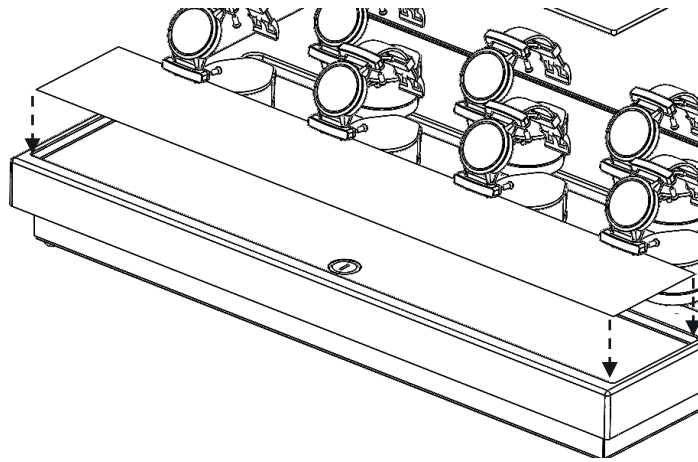
24



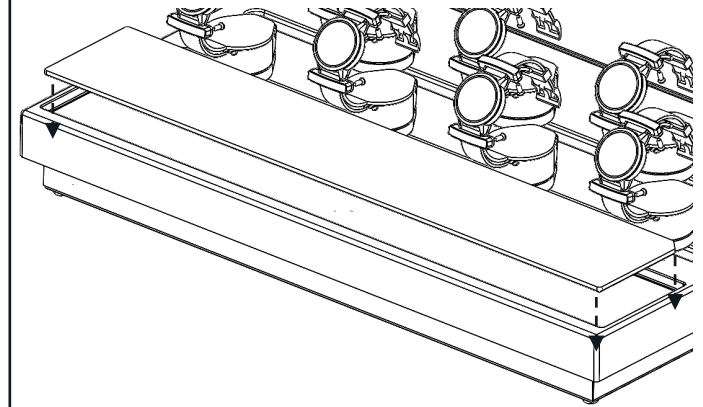
25



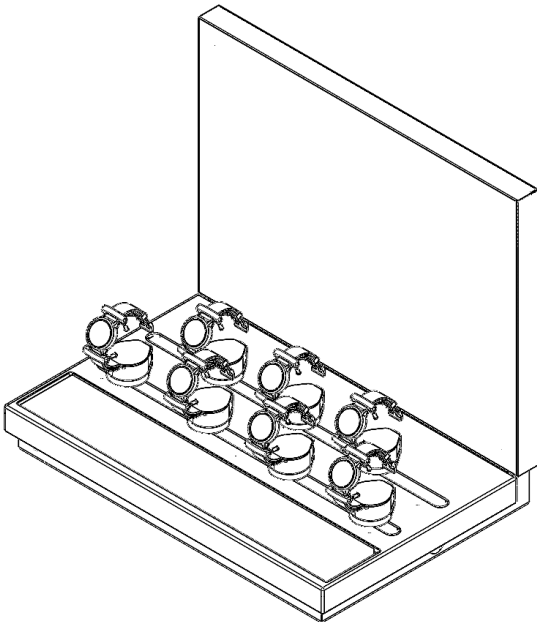
26



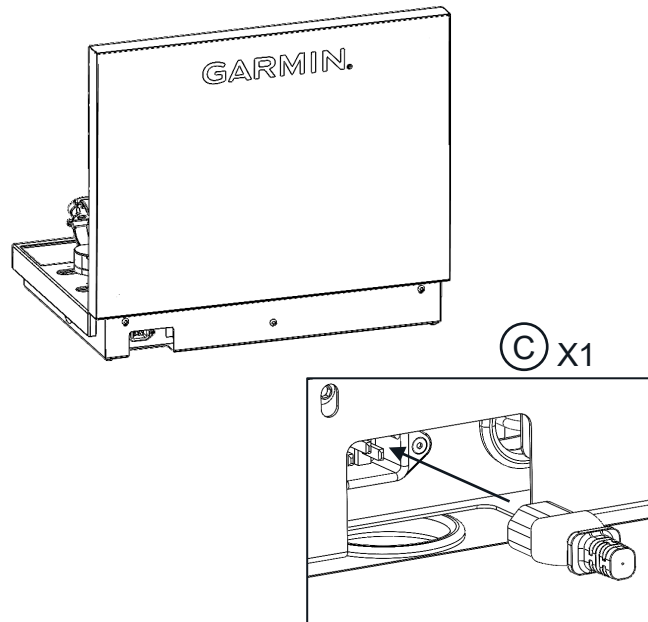
27



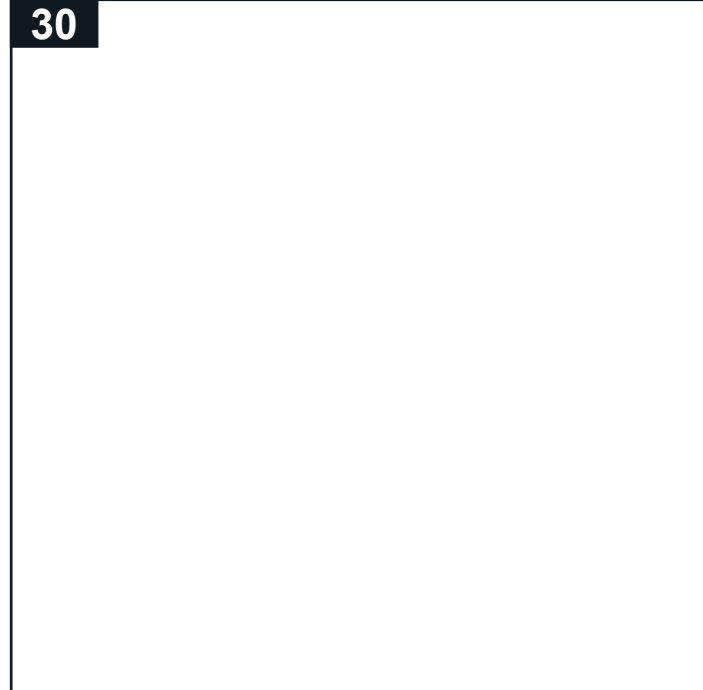
28



29

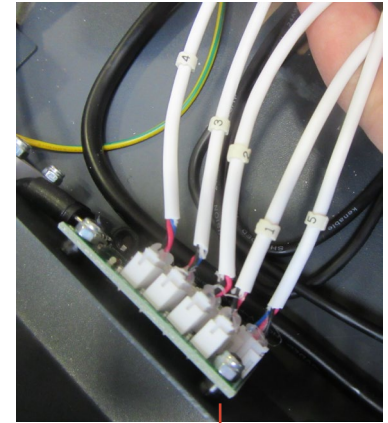


30

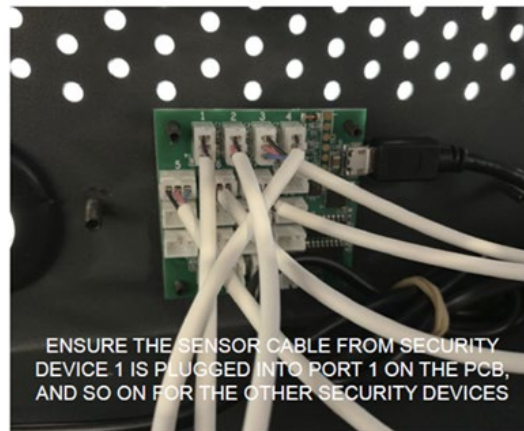


Gold Security
Lift and Learn function
USB-C and power for live products
Positions 1-7 as per below





Lift and Learn cables
for PCB board
numbered 1-7



ENSURE THE SENSOR CABLE FROM SECURITY
DEVICE 1 IS PLUGGED INTO PORT 1 ON THE PCB,
AND SO ON FOR THE OTHER SECURITY DEVICES



IMPORTANT:
IF YOU NEED TO REMOVE A SENSOR CABLE
USE A PAIR OF LONG NOSE PLIERS.
DO NOT PULL ON THE CABLE