

GARMIN

CORPORATE DISPLAY
P12674 | 12/02/2026

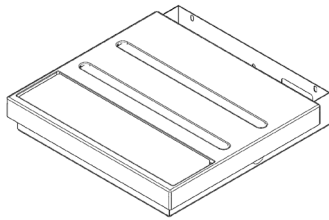
400 CTU + ILLUMINATED
HEADER + GOLD POSTS

TOOLS REQUIRED – SUPPLIED

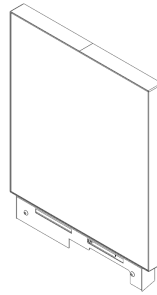


Parts

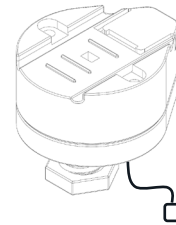
(A) X1
400MM



(B) X1
400MM



(B) X5
GOLD
SECURITY
POSTS
(PRE-FITTED)



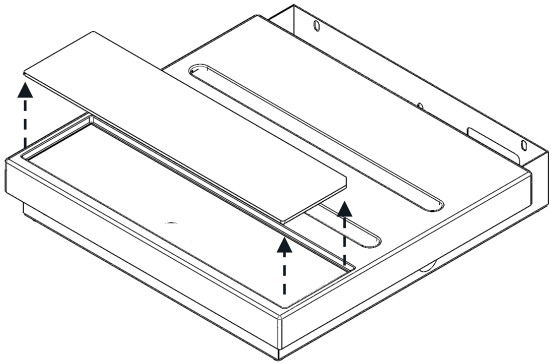
(E) X5
M6X8MM
SCREW



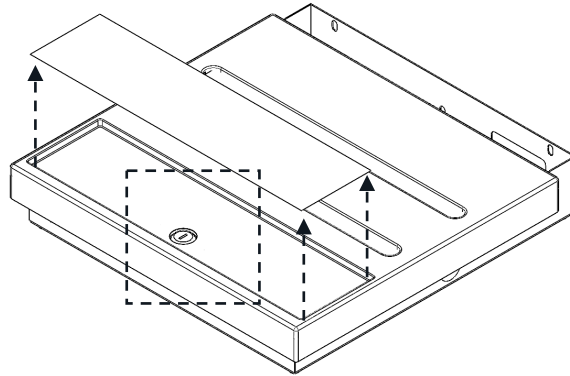
(C) X1



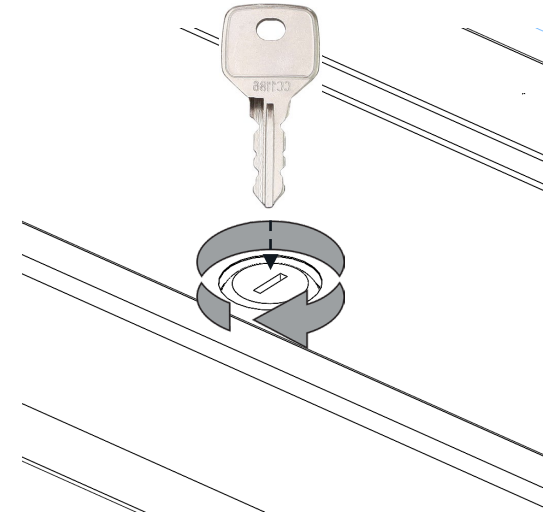
1



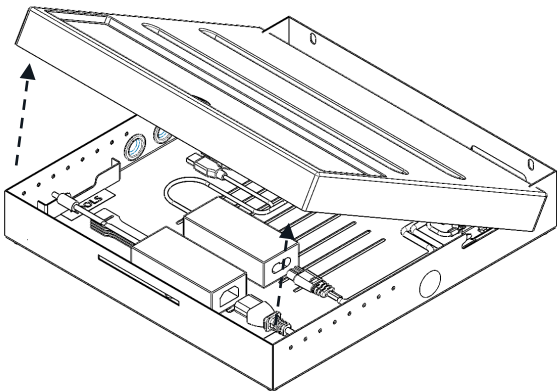
2



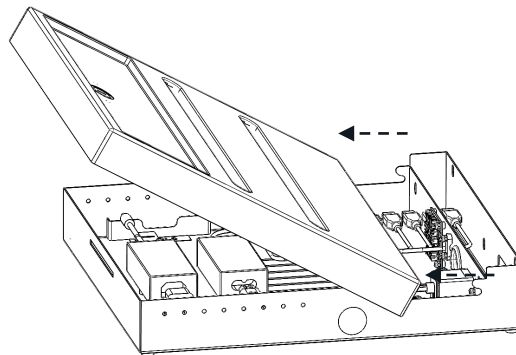
3



4

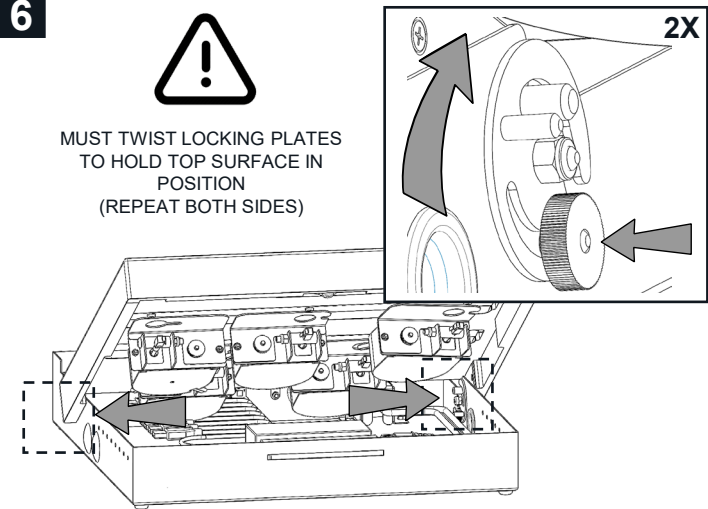


5



6

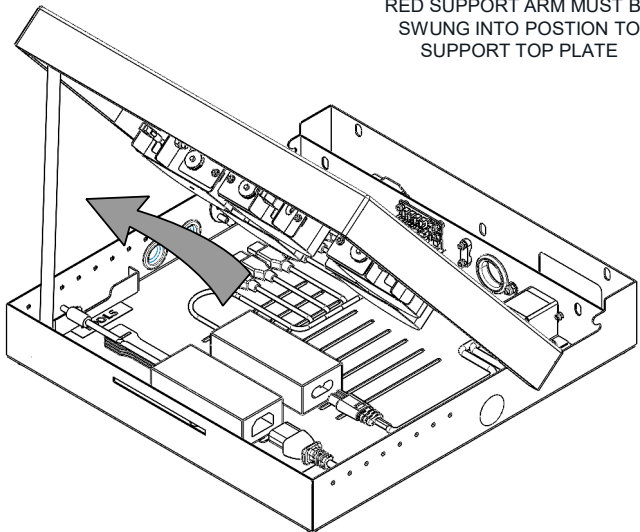

MUST TWIST LOCKING PLATES
TO HOLD TOP SURFACE IN
POSITION
(REPEAT BOTH SIDES)



7

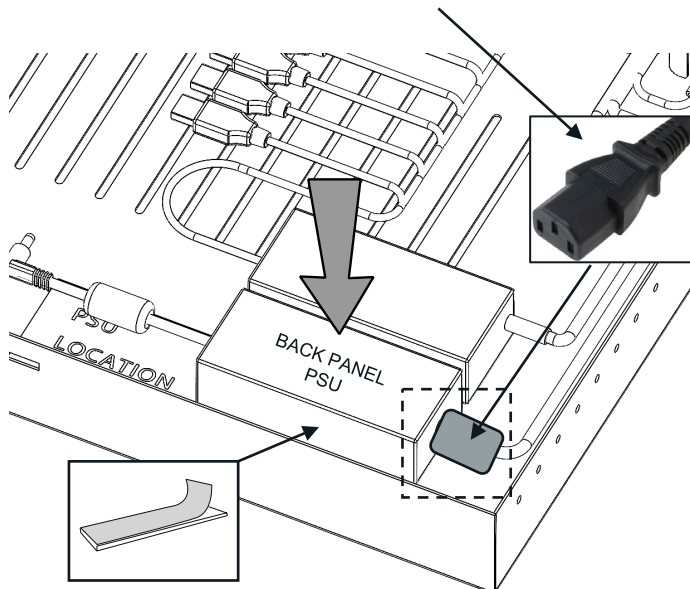


RED SUPPORT ARM MUST BE SWUNG INTO POSITION TO SUPPORT TOP PLATE

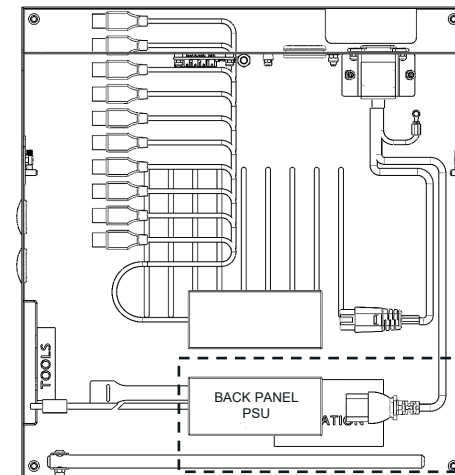


8

IEC PLUG COMING FROM MAIN POWER LOOM ON CTU SECTION

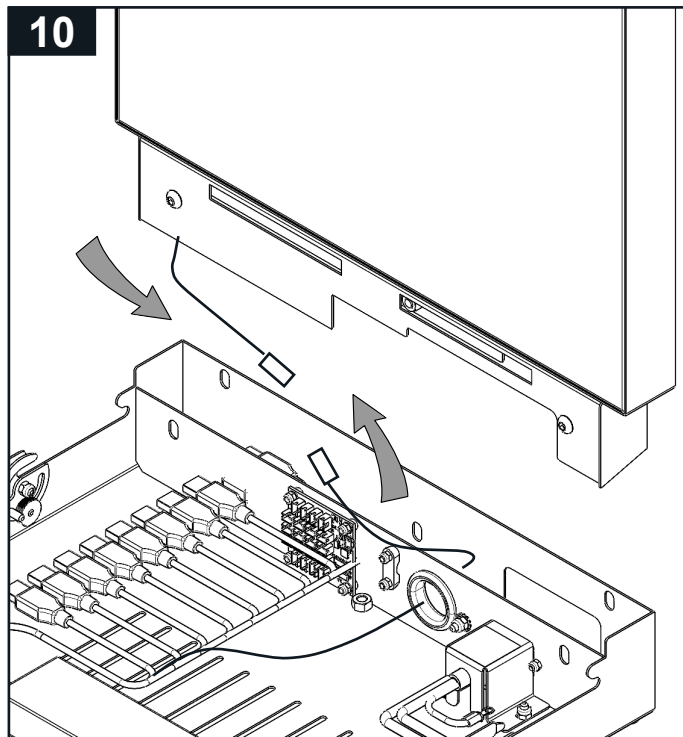


9

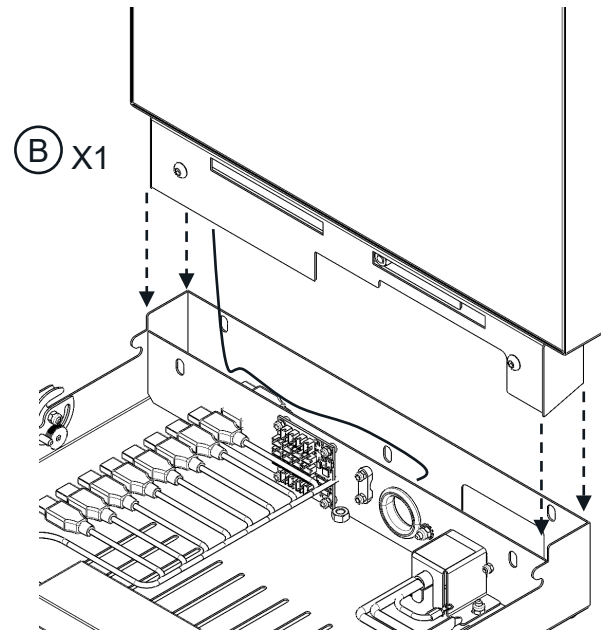


PSUs MUST BE FITTED INTO THIS AREA INSIDE THE DISPLAY

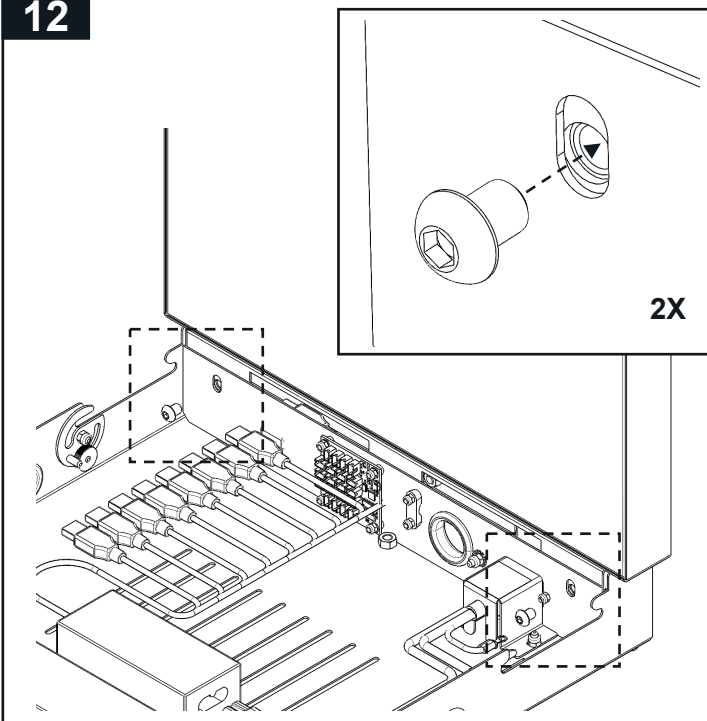
10



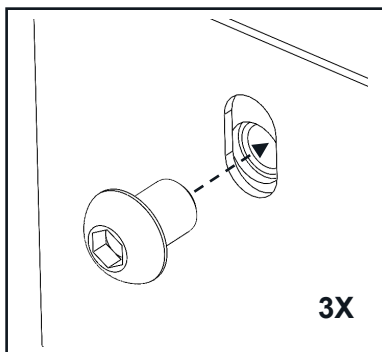
11



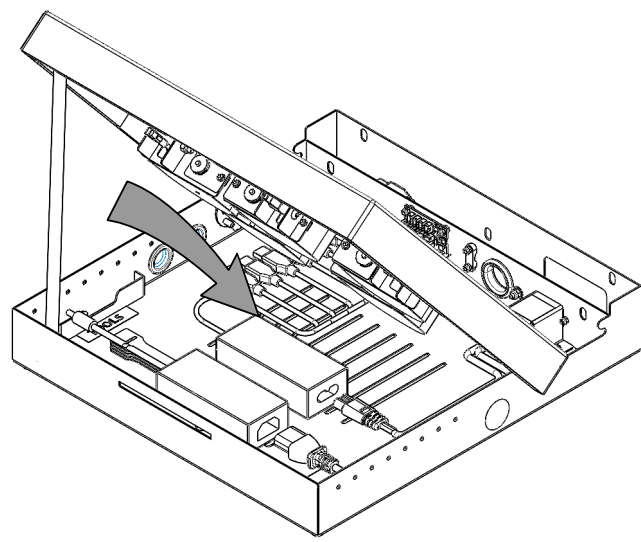
12



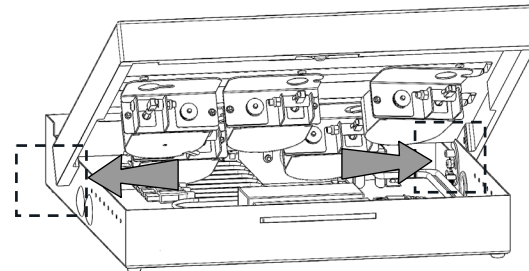
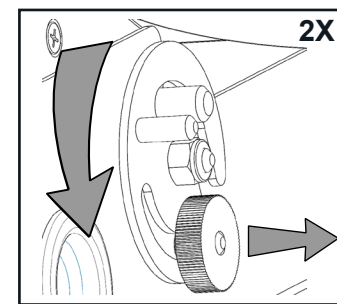
13



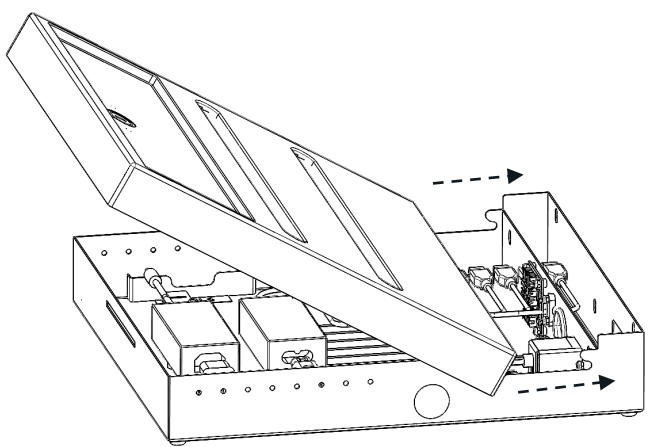
14



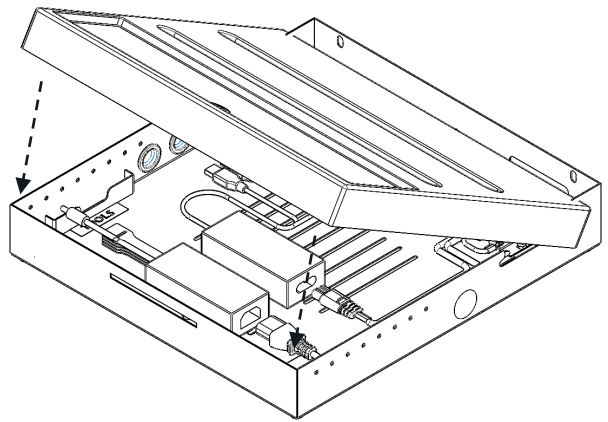
15



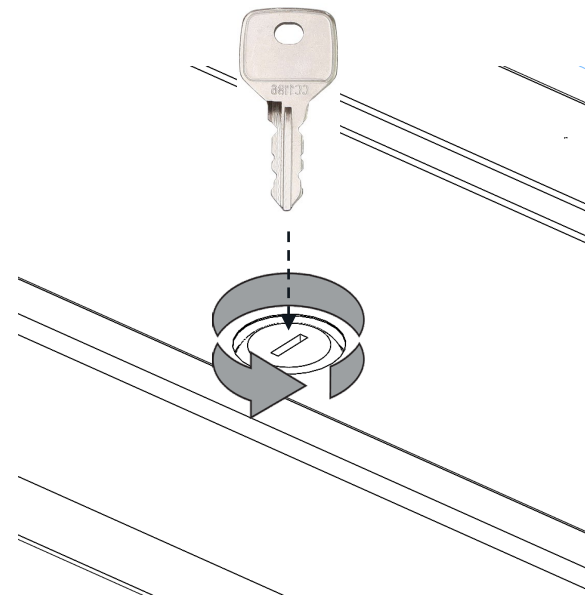
16



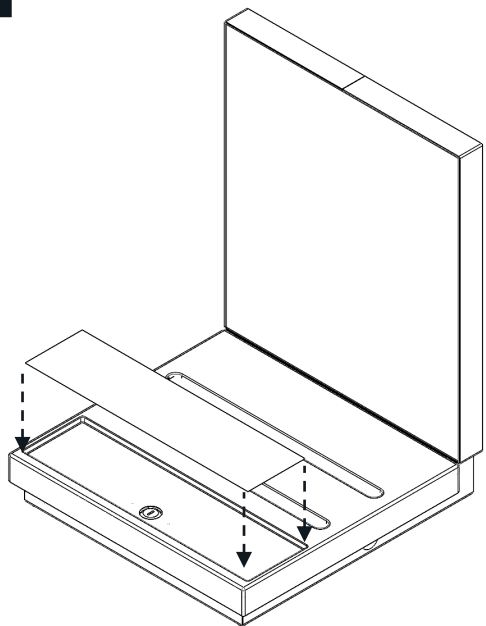
17



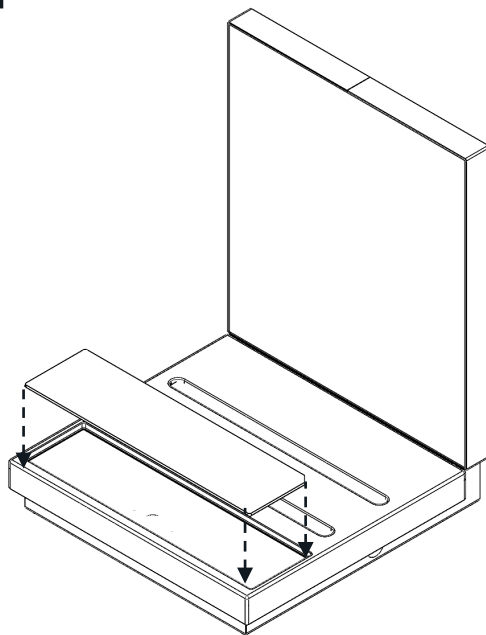
18



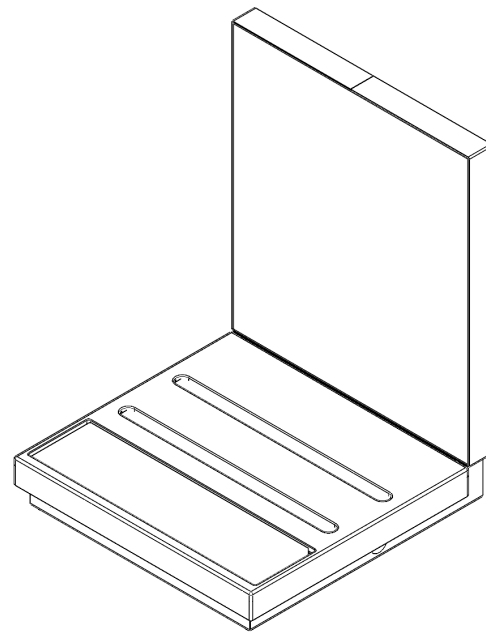
19



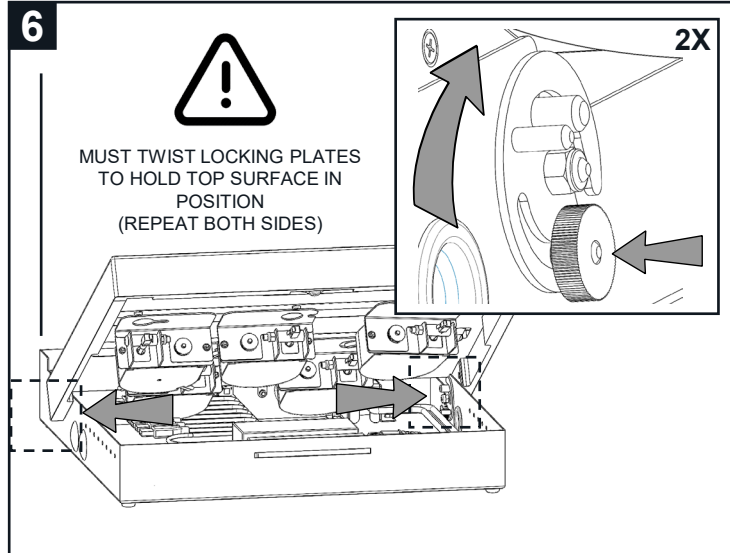
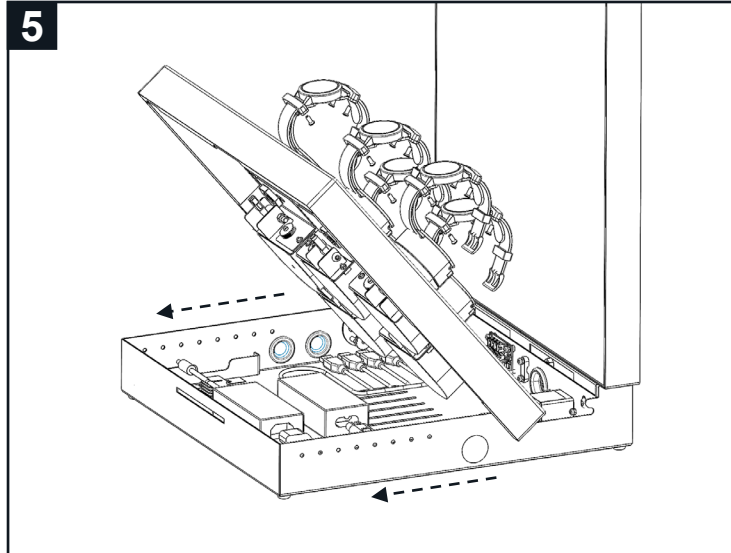
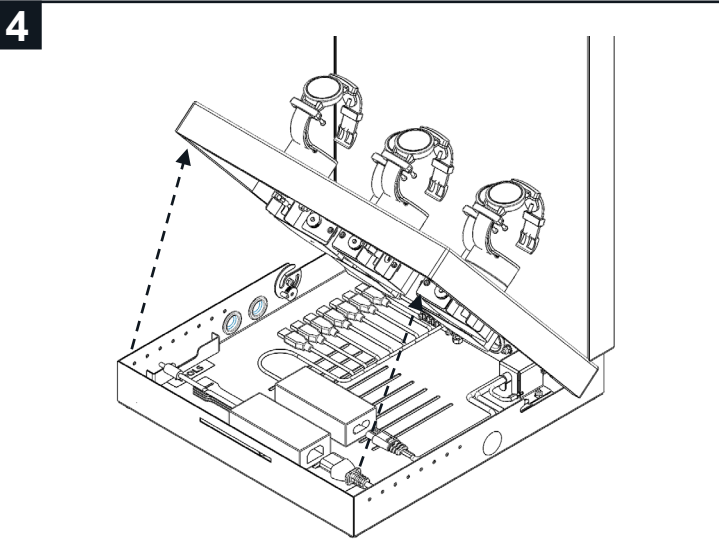
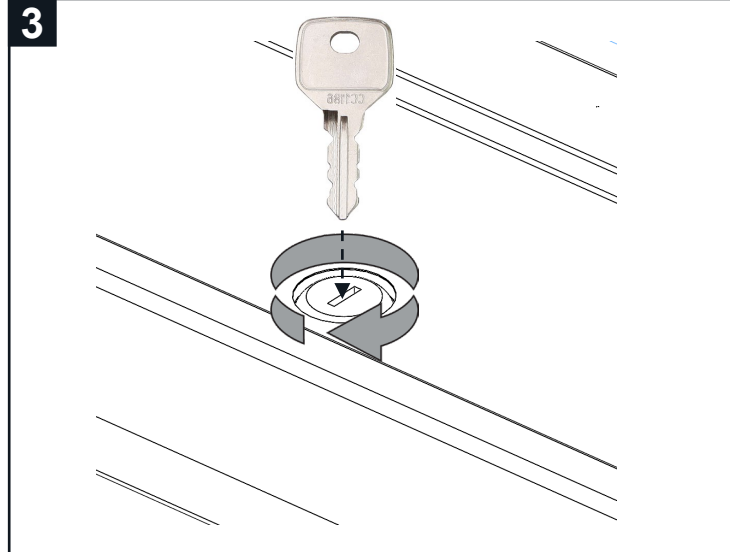
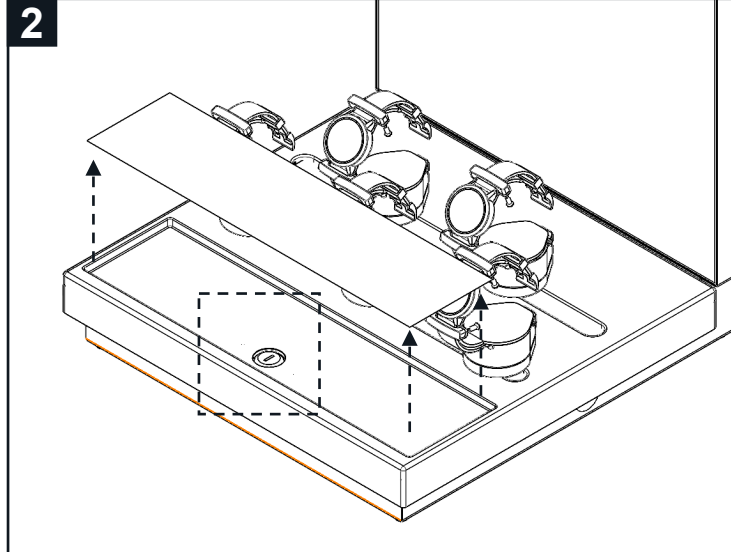
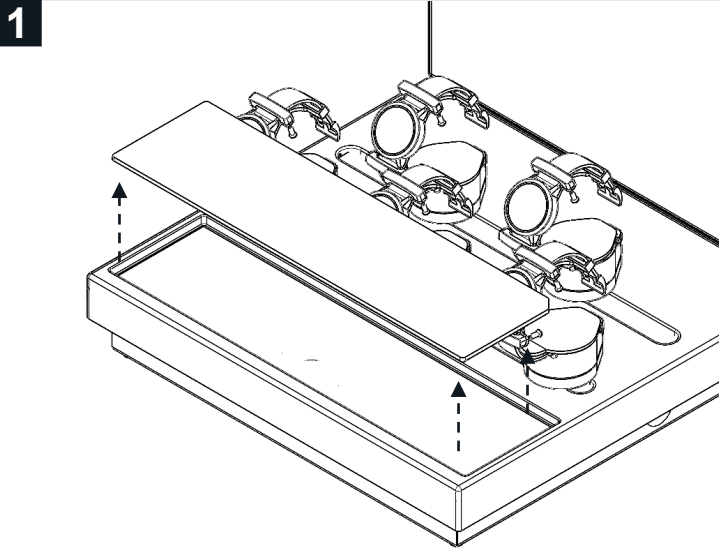
20



21



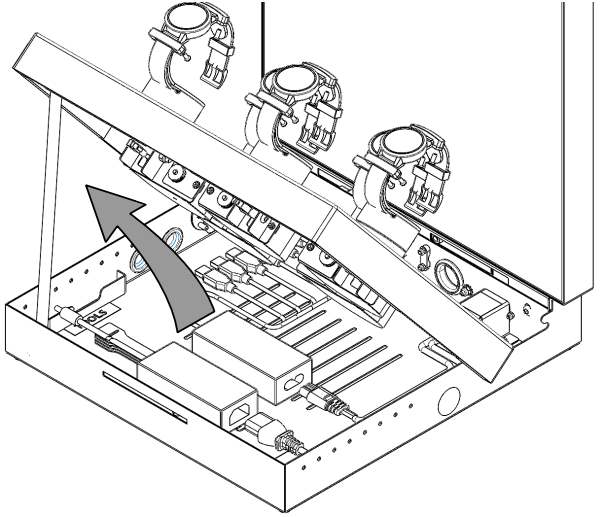
Fitting security to your CTU



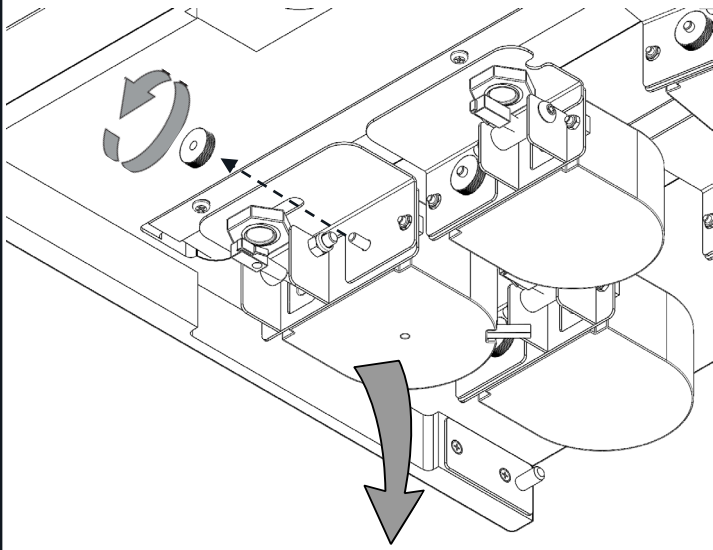
7



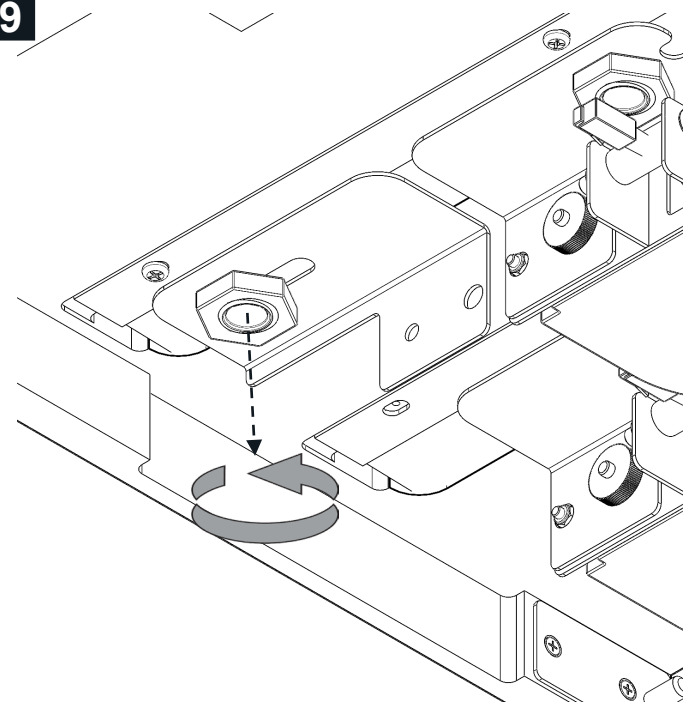
RED SUPPORT ARM MUST BE SWUNG INTO POSITION TO SUPPORT TOP PLATE



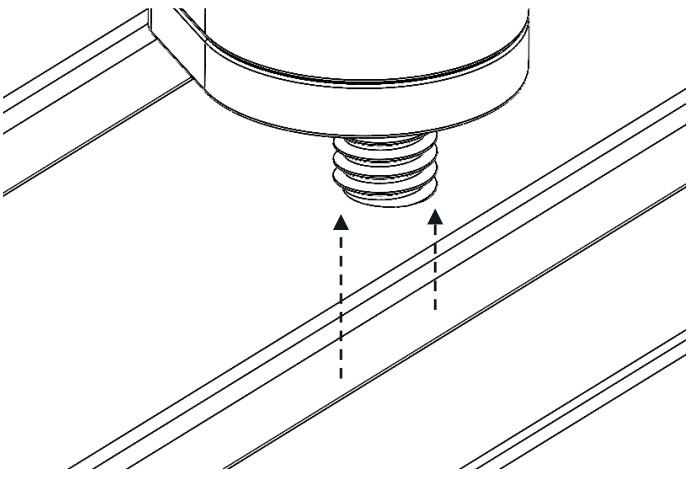
8



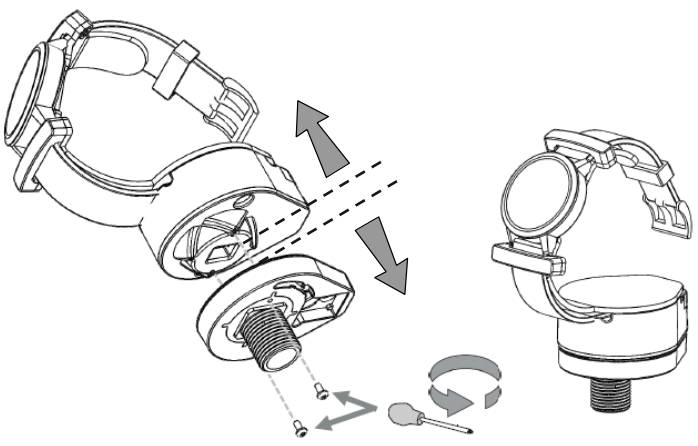
9



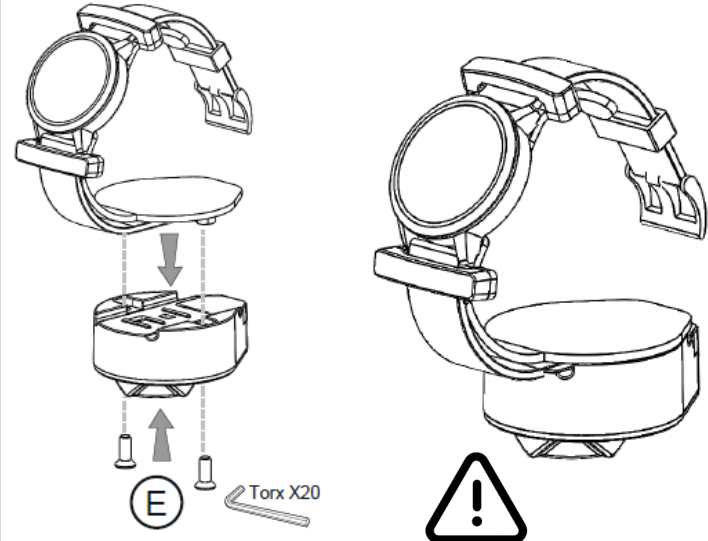
10



11



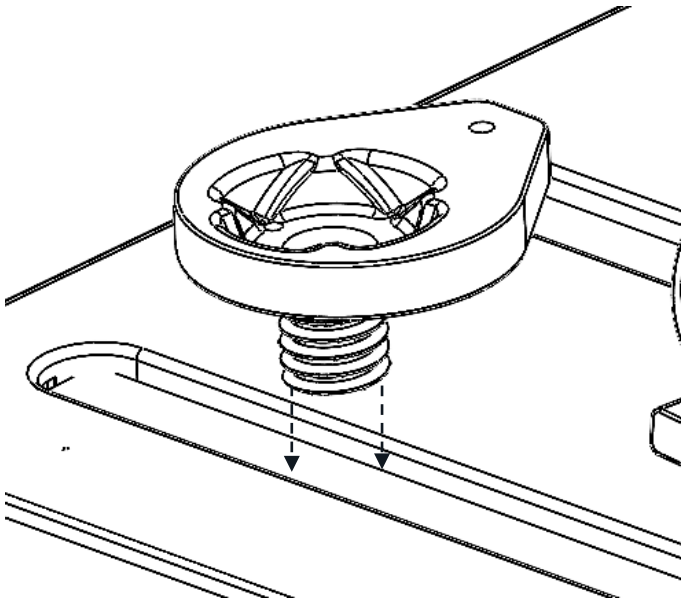
12



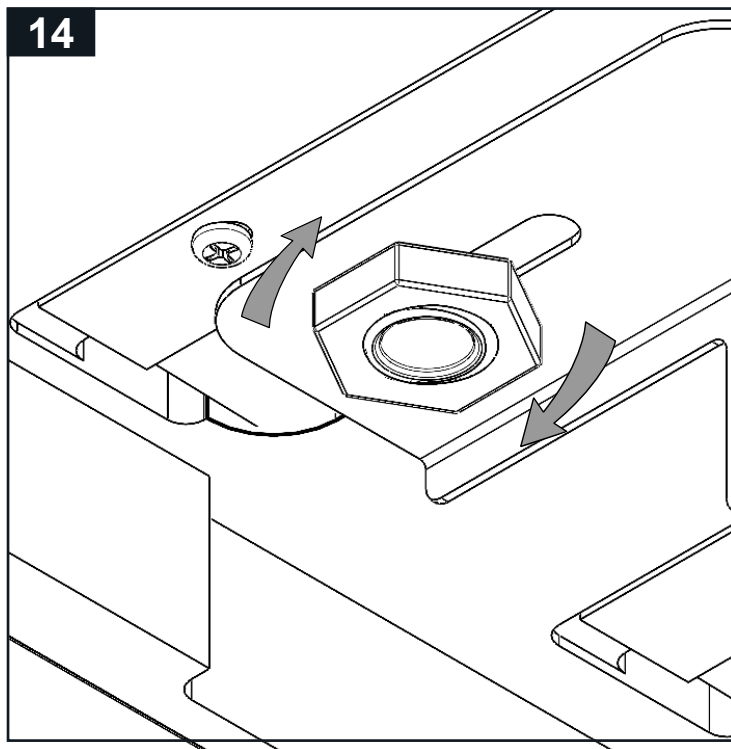
REMOVE EXISTING CRADLE FROM THE PLASTIC MOULDING SO THAT IT CAN BE REATTACHED TO GOLD POST IF REQUIRED



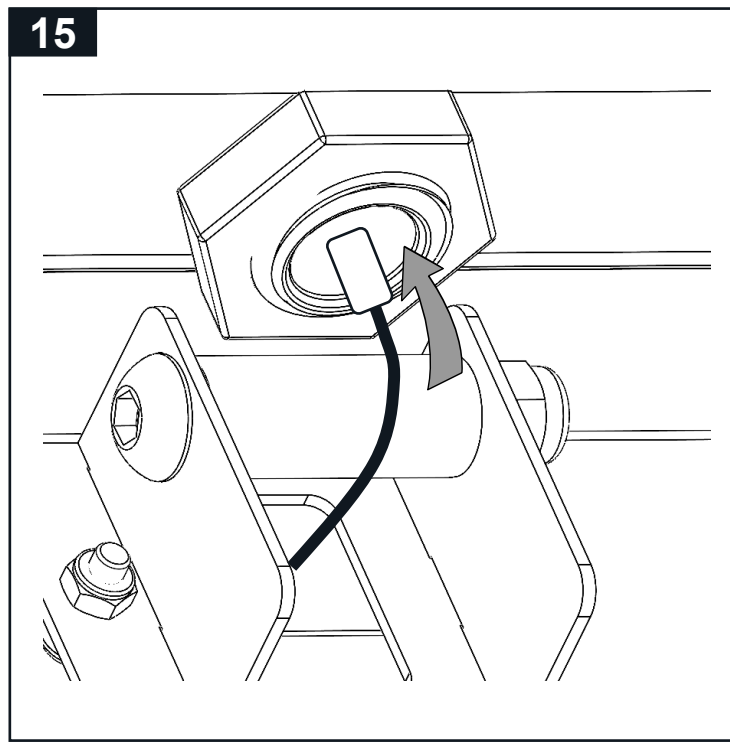
13



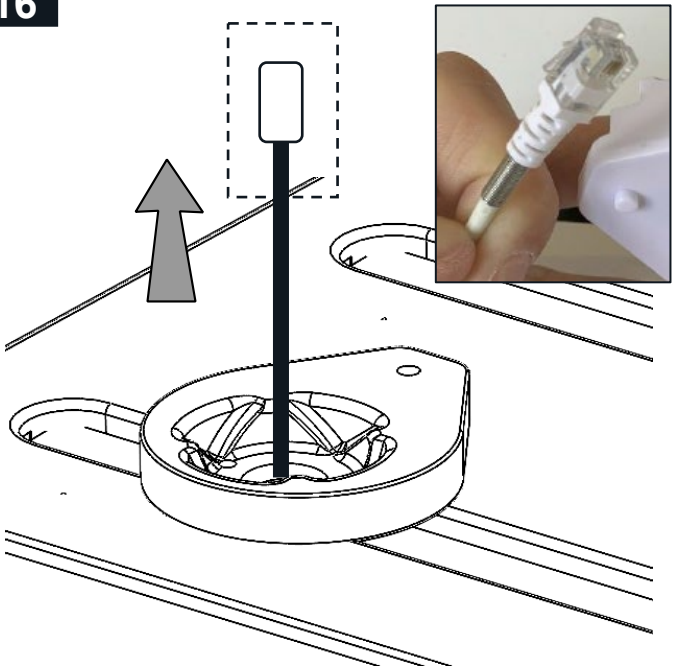
14



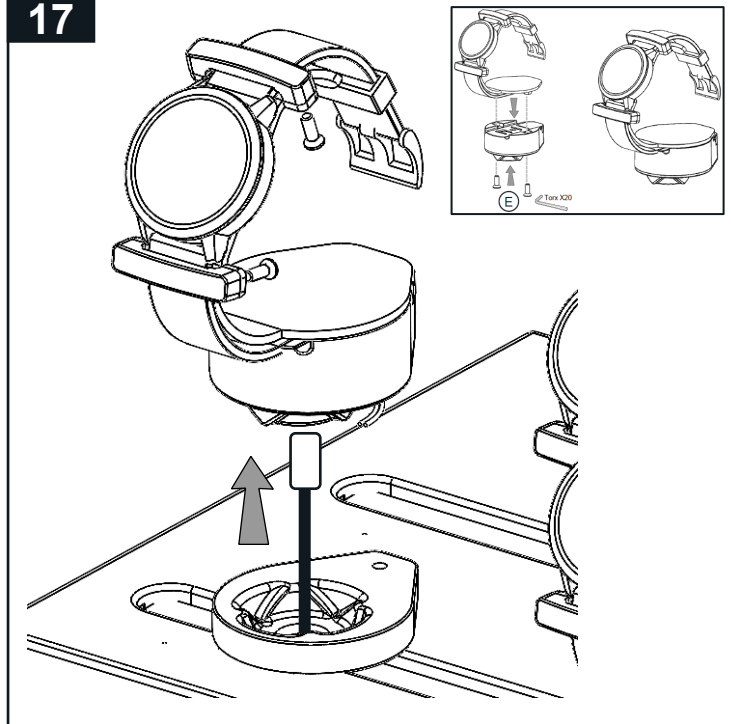
15



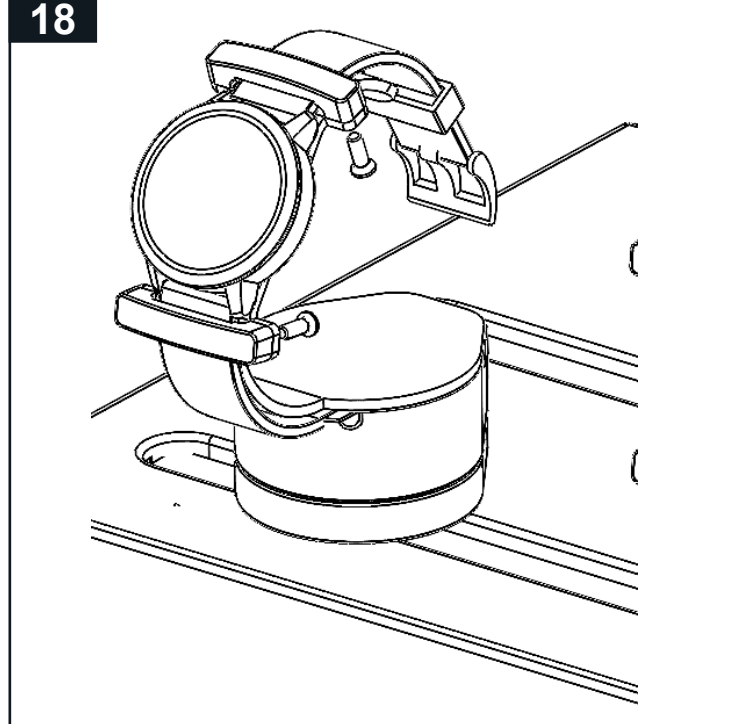
16



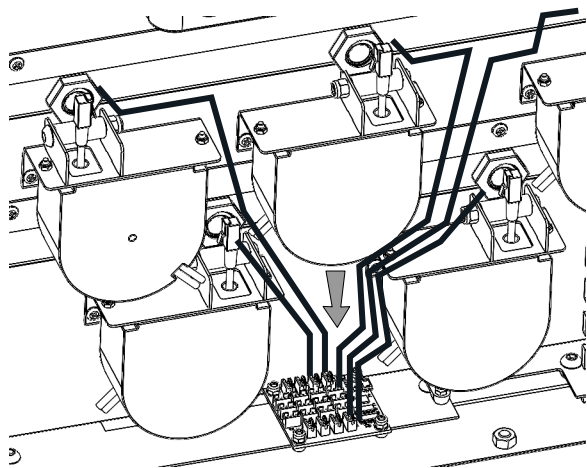
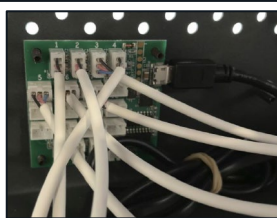
17



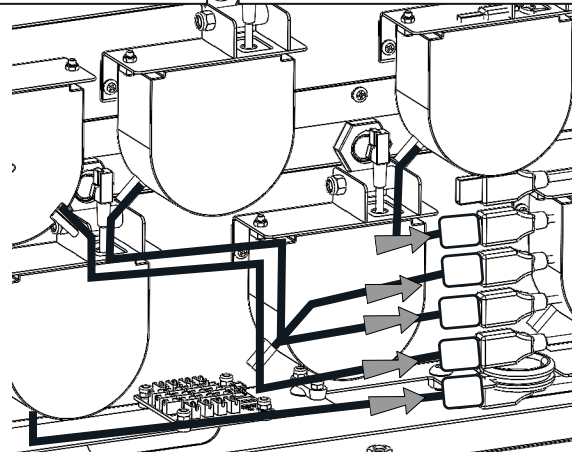
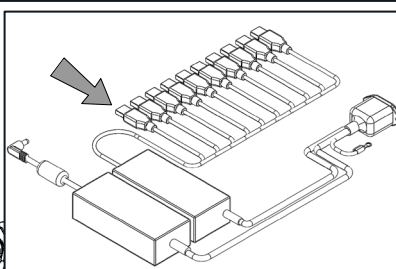
18



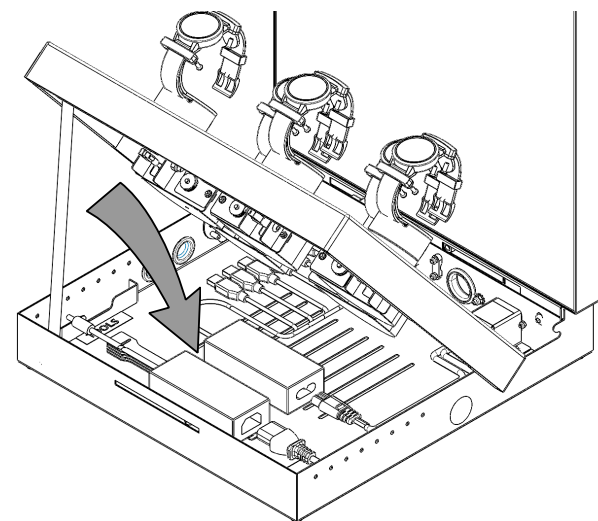
19



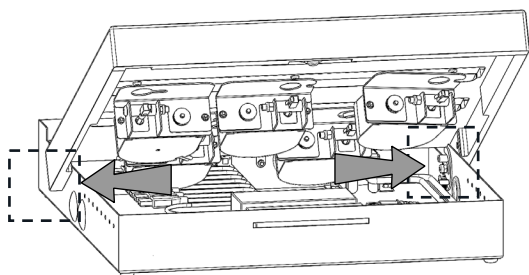
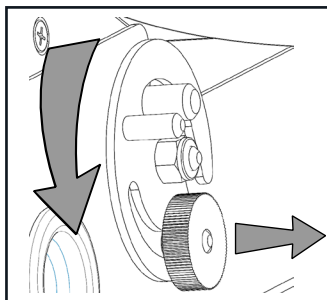
20



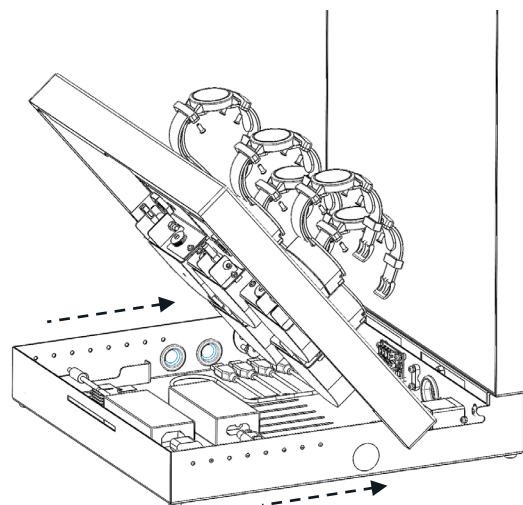
21



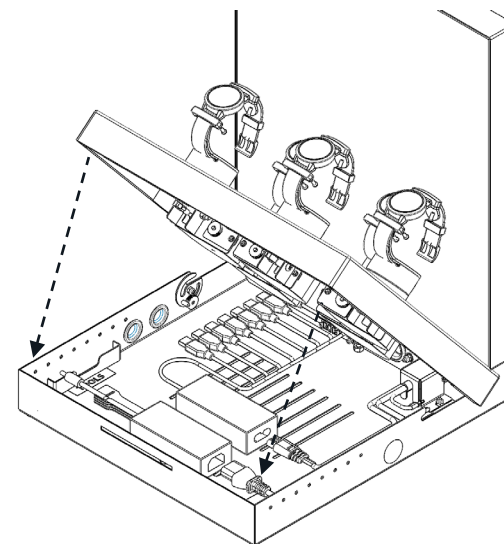
22



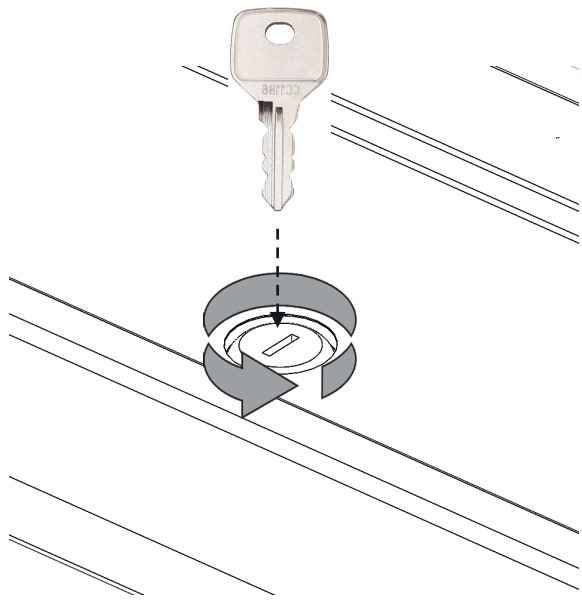
23



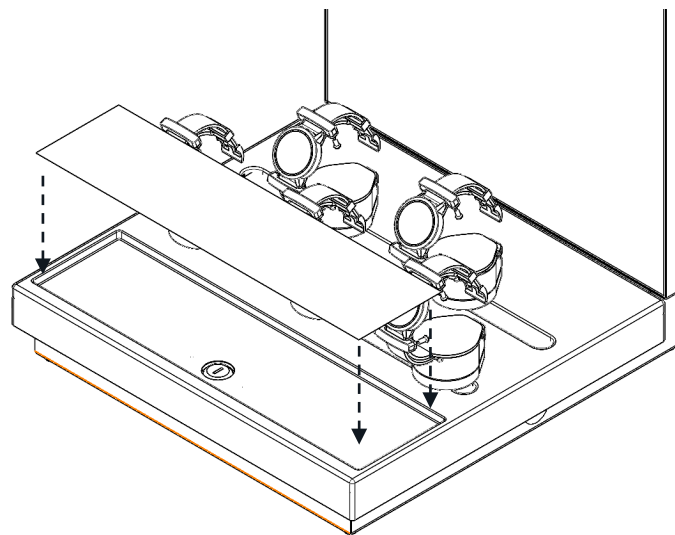
24



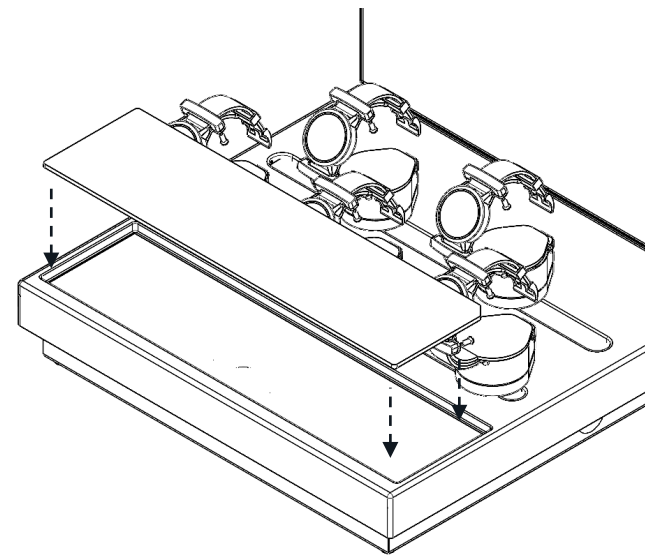
25



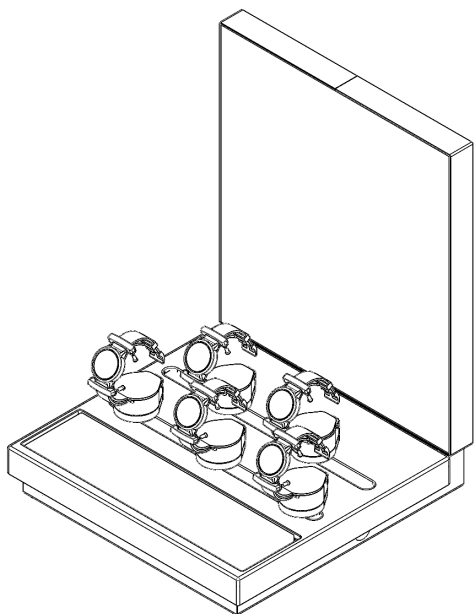
26



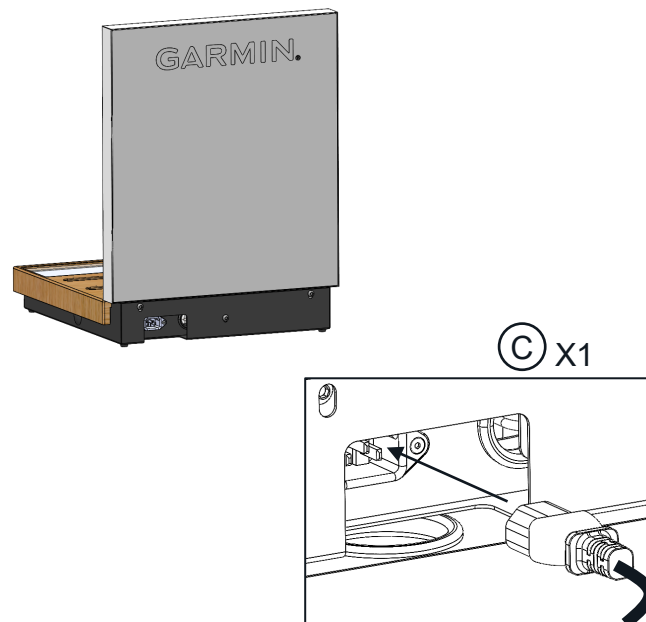
27



28



29



30



Lift and Learn Set-up Positions 1-5

