

GARMIN

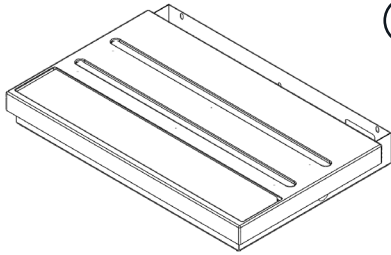
CORPORATE DISPLAY
P12674 | 13/02/2026
CTU + GRAPHIC HEADER +
PLATINIUM POSTS

TOOLS REQUIRED – SUPPLIED

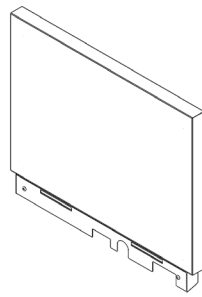


Parts

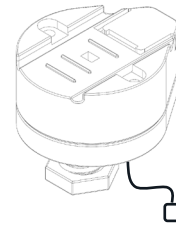
(A) X1
600MM



(B) X1
600MM



(B) X5
GOLD
SECURITY
POSTS



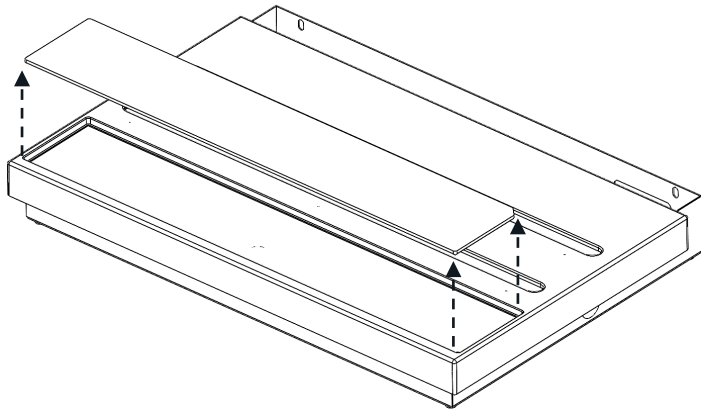
(E) X5
M6X8MM
SCREW



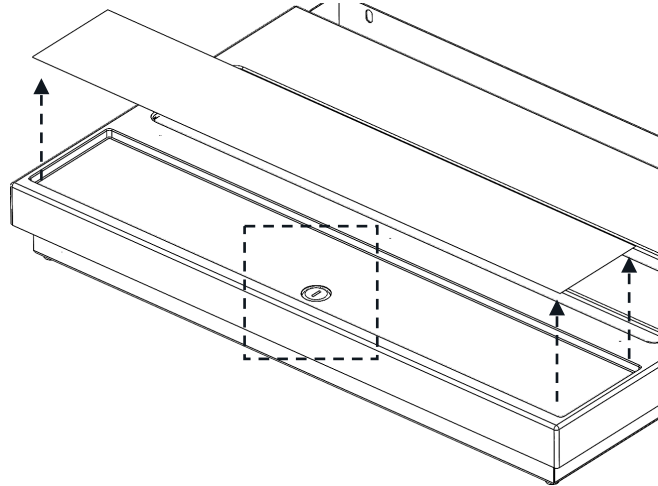
(C) X1



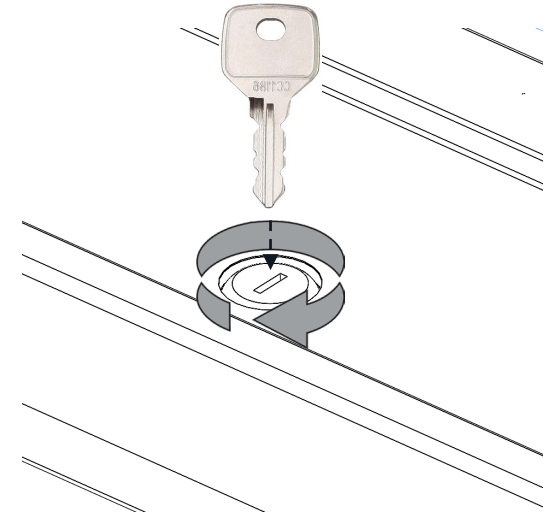
1



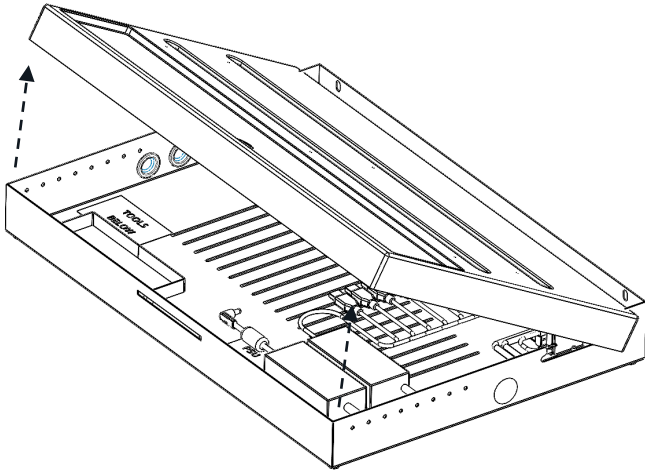
2



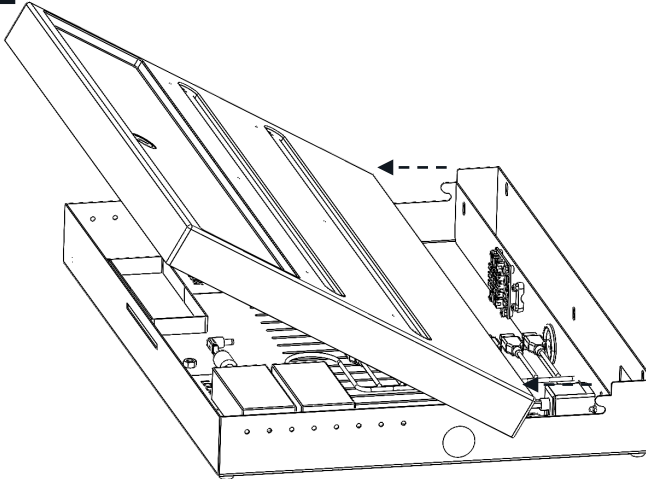
3



4

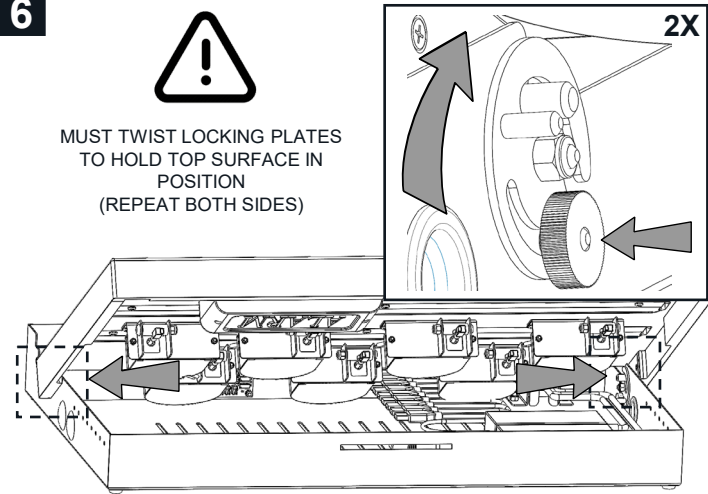


5



6


MUST TWIST LOCKING PLATES
TO HOLD TOP SURFACE IN
POSITION
(REPEAT BOTH SIDES)

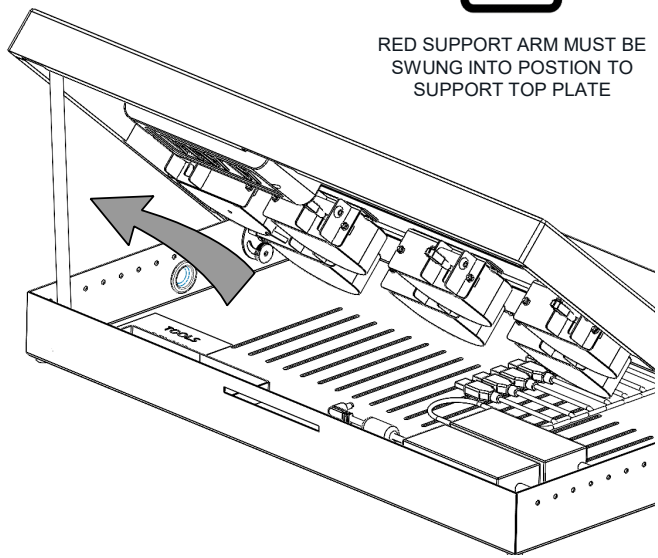


GARMIN

7

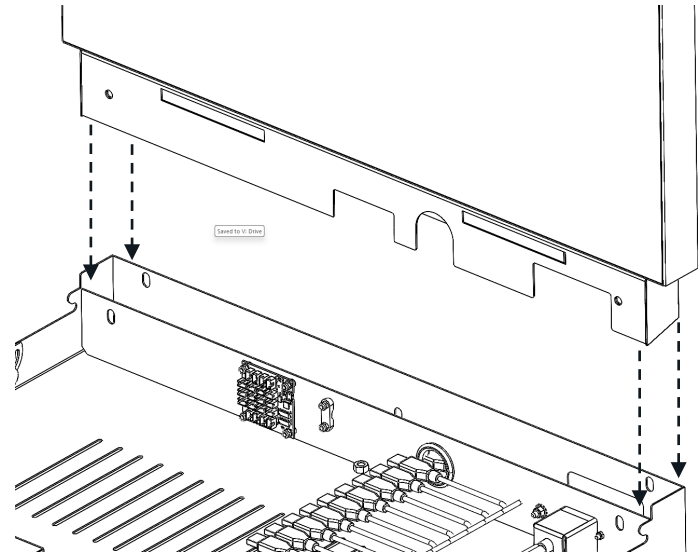


RED SUPPORT ARM MUST BE SWUNG INTO POSITION TO SUPPORT TOP PLATE

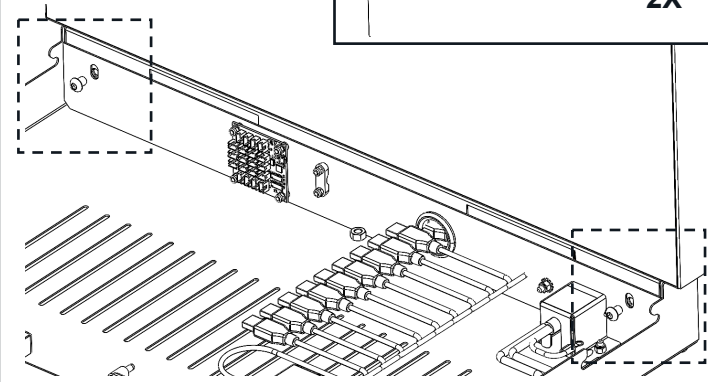
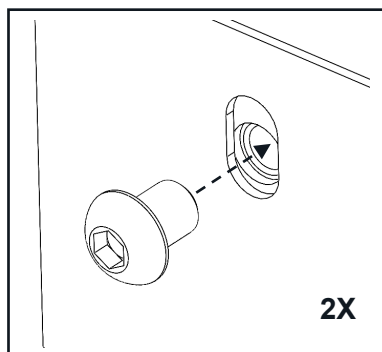


8

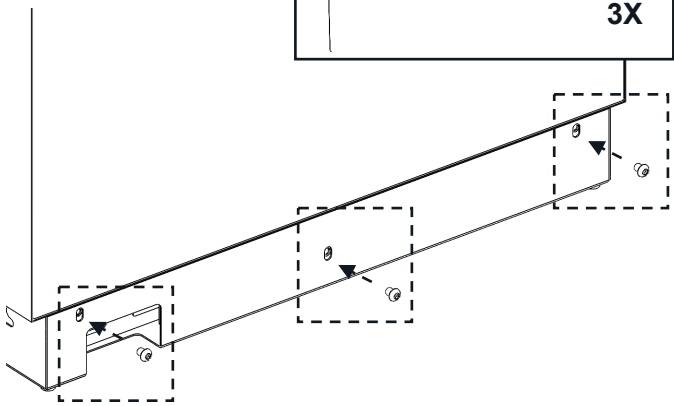
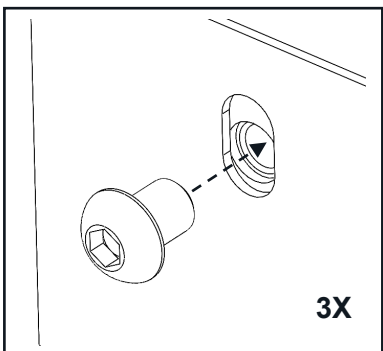
(B) X1



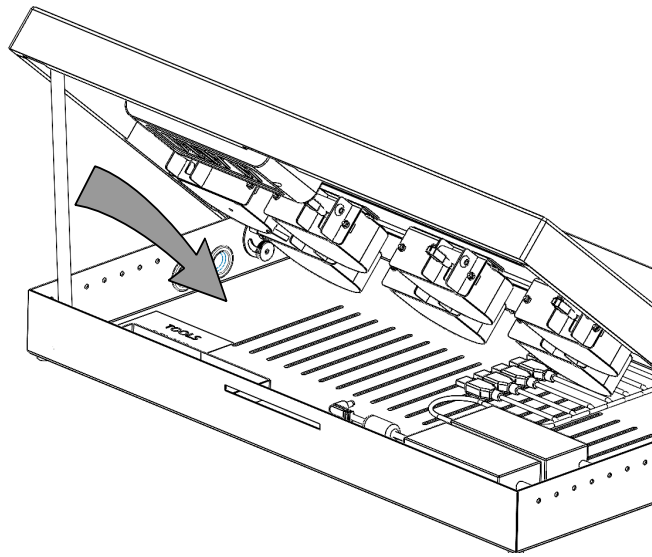
9



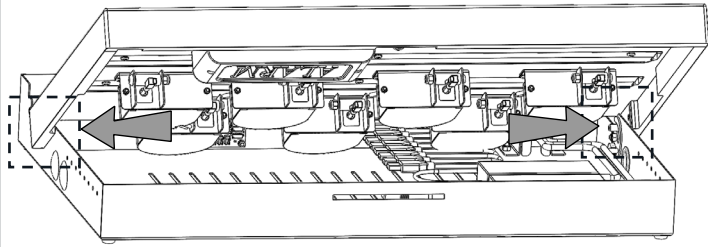
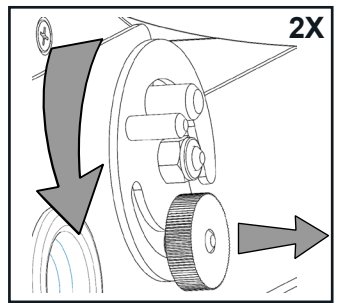
10



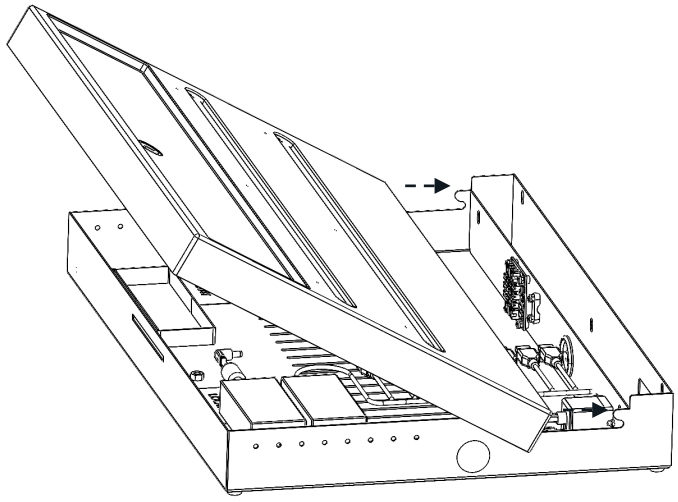
11



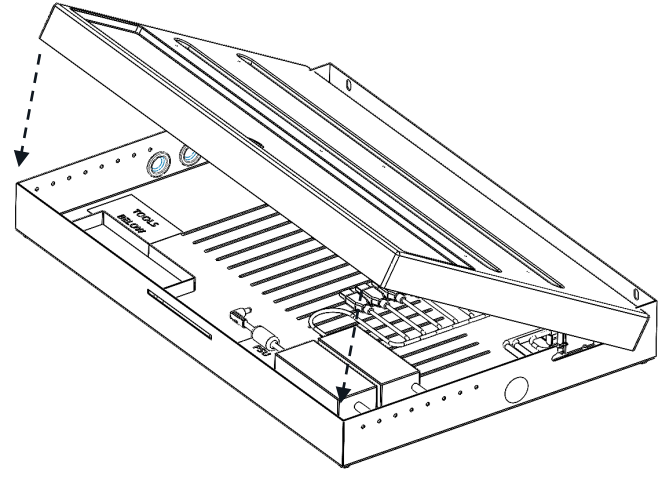
12



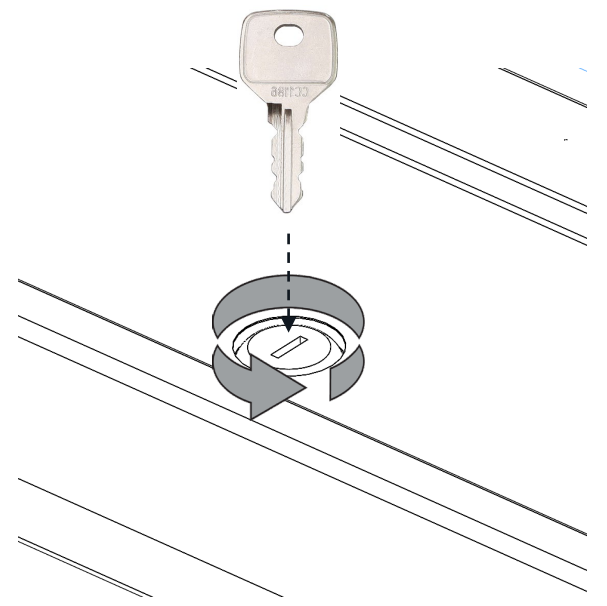
13



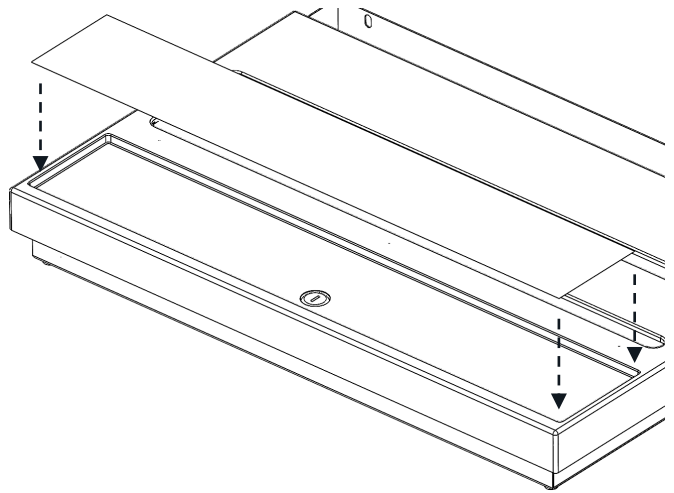
14



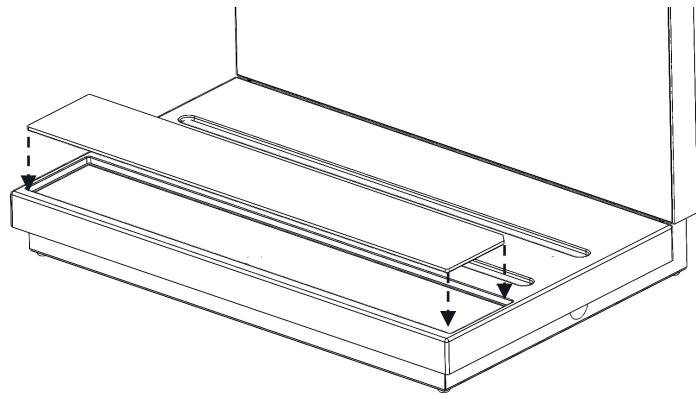
15



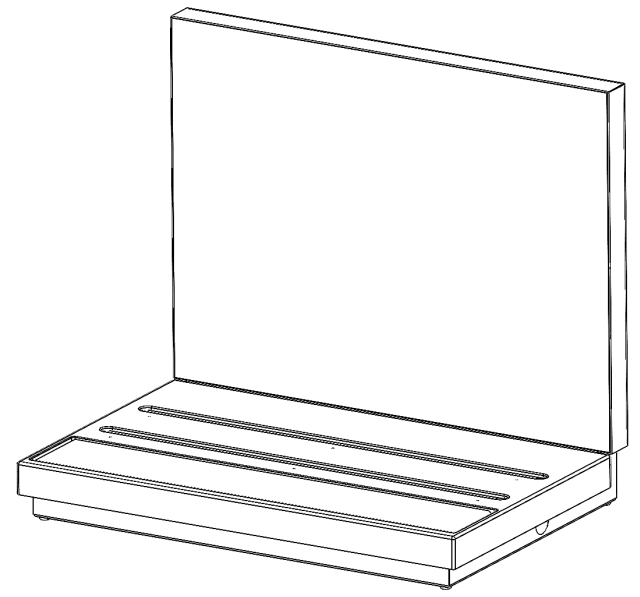
16



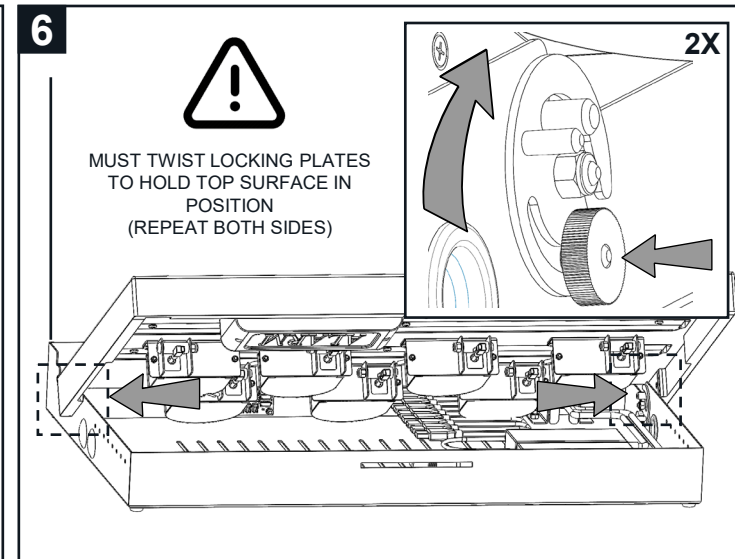
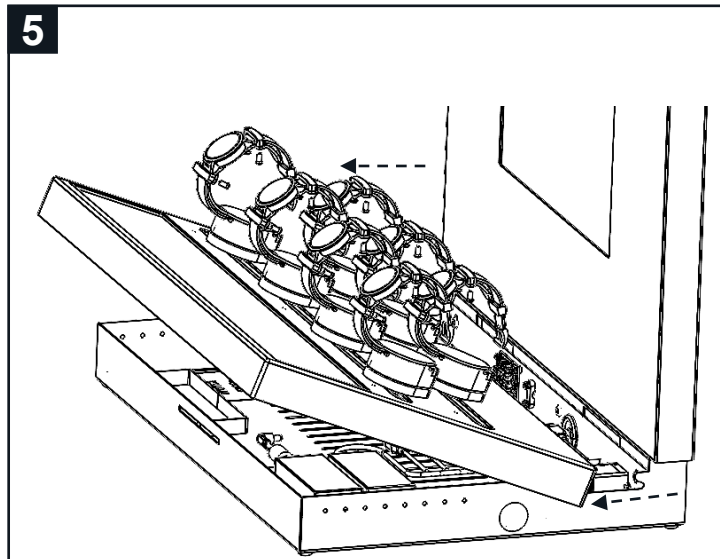
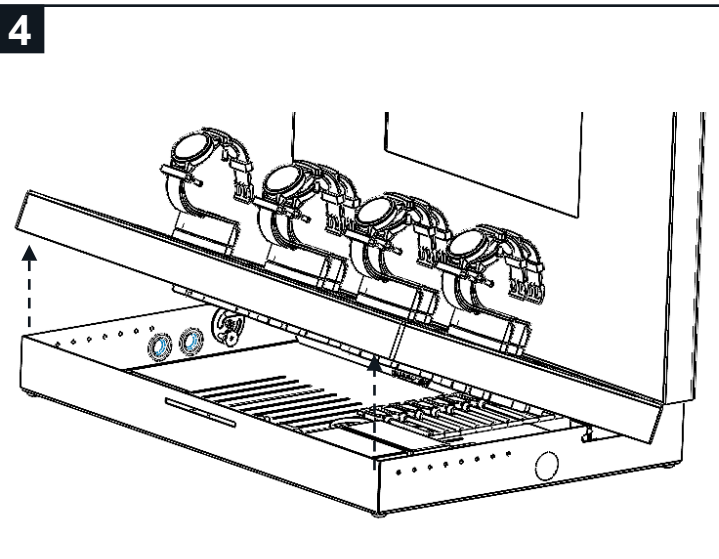
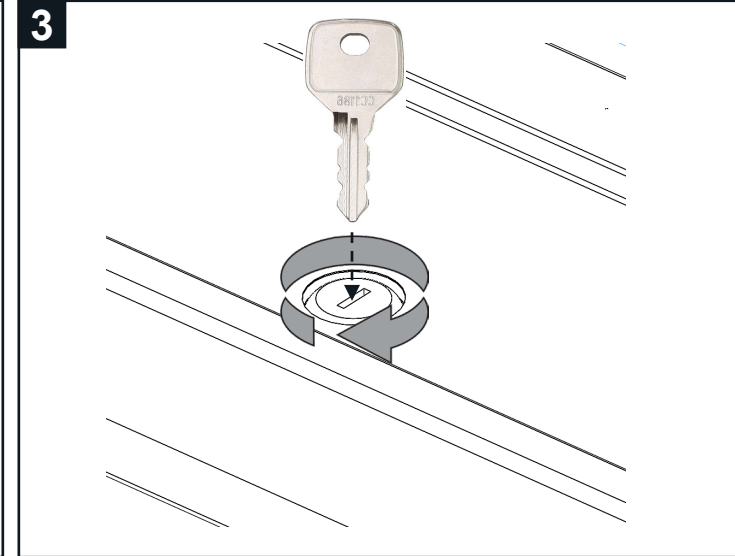
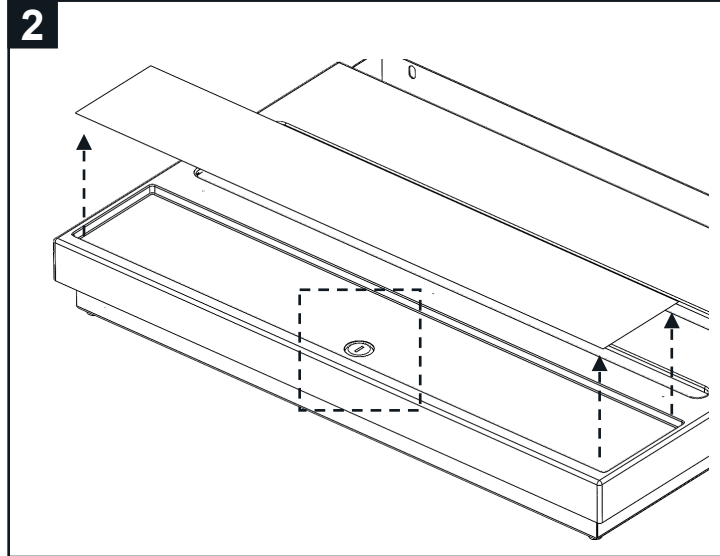
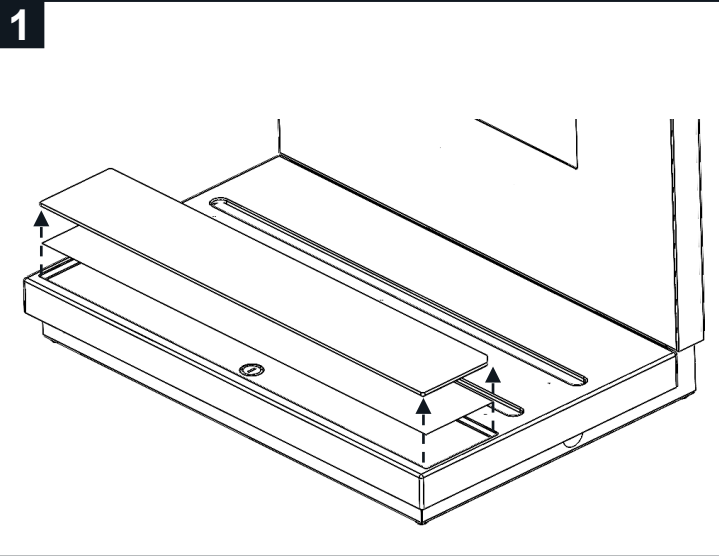
17



18



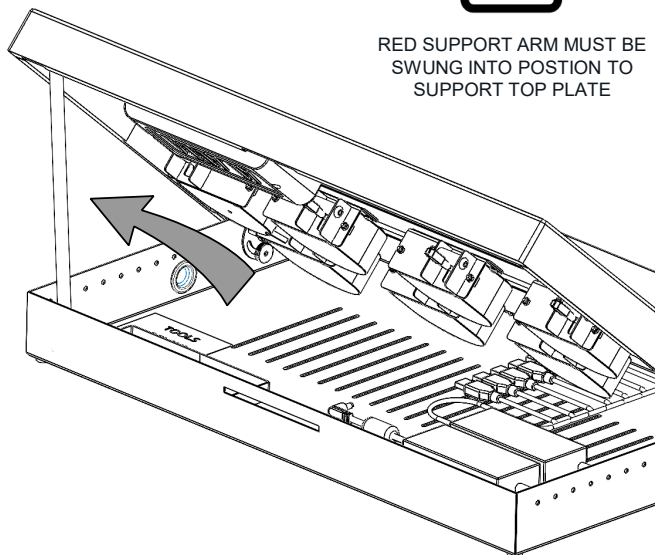
Fitting security to your CTU



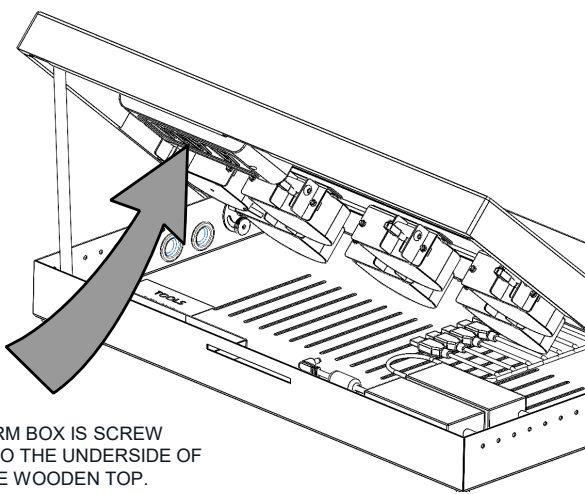
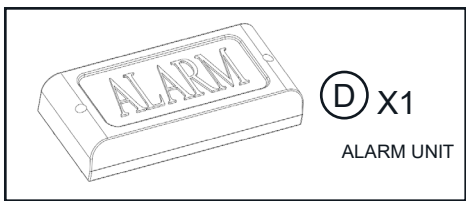
7



RED SUPPORT ARM MUST BE SWUNG INTO POSITION TO SUPPORT TOP PLATE

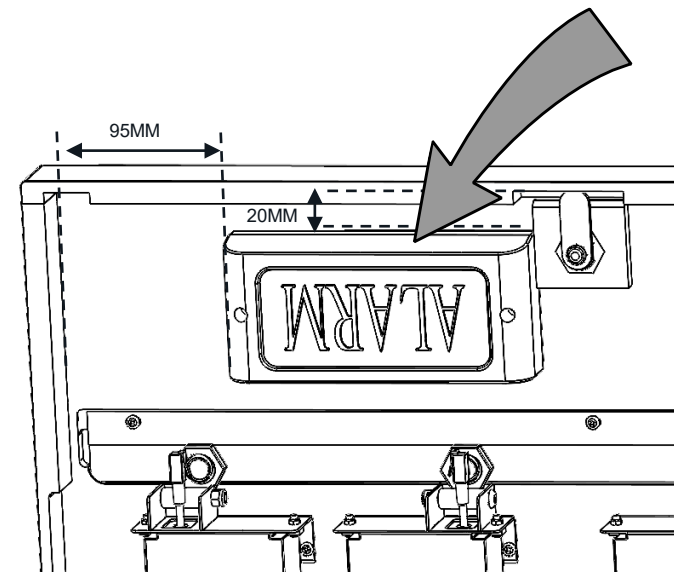


8

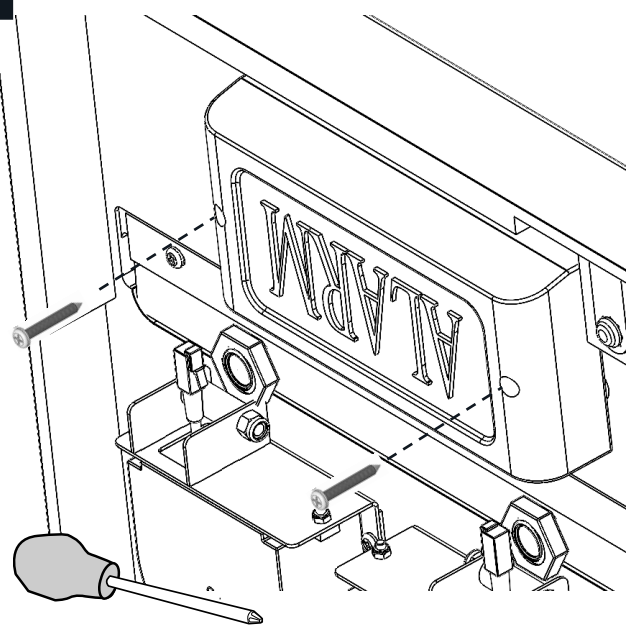


ALARM BOX IS SCREW FITTED TO THE UNDERSIDE OF THE WOODEN TOP.

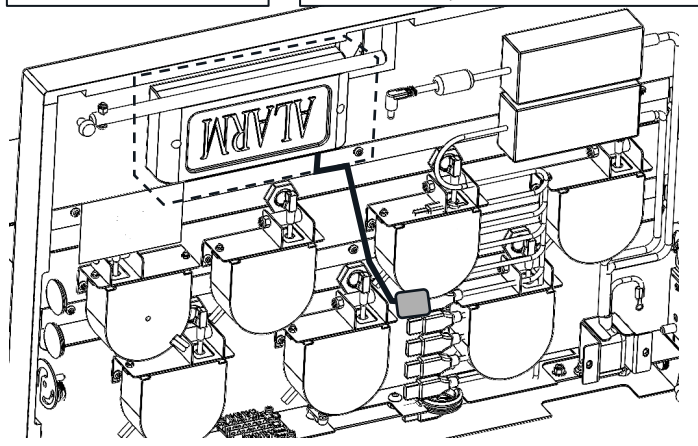
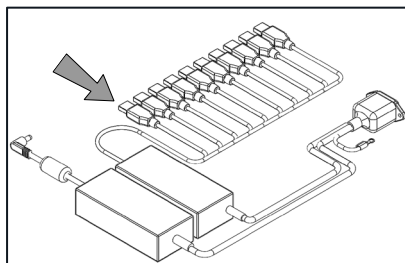
9



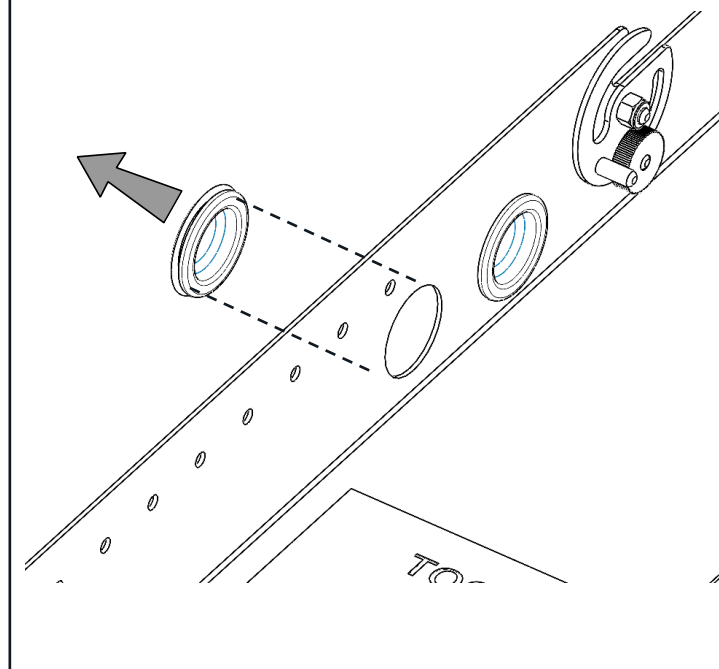
10



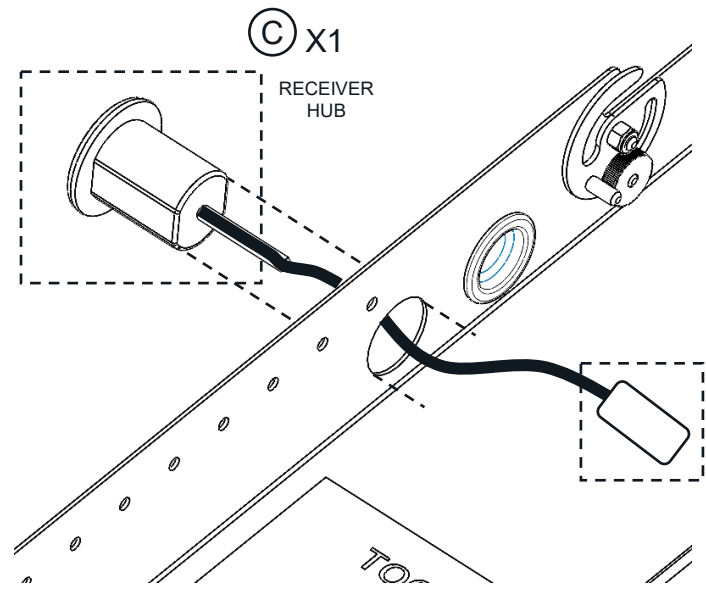
11



12



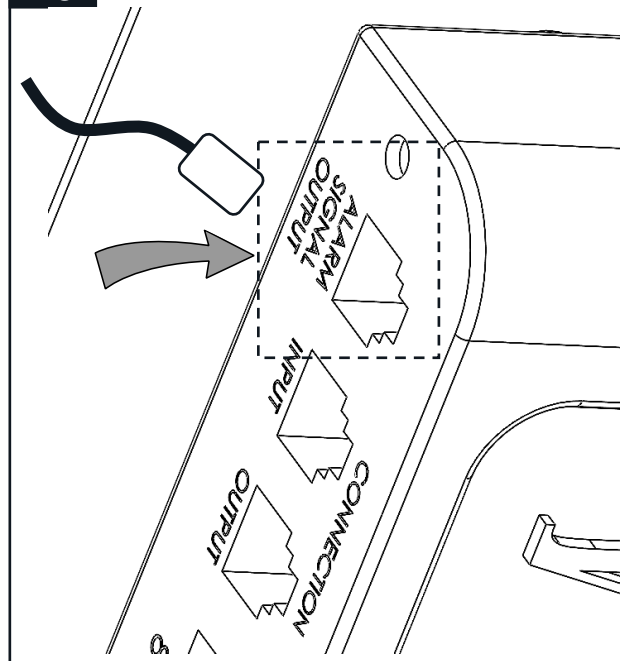
13



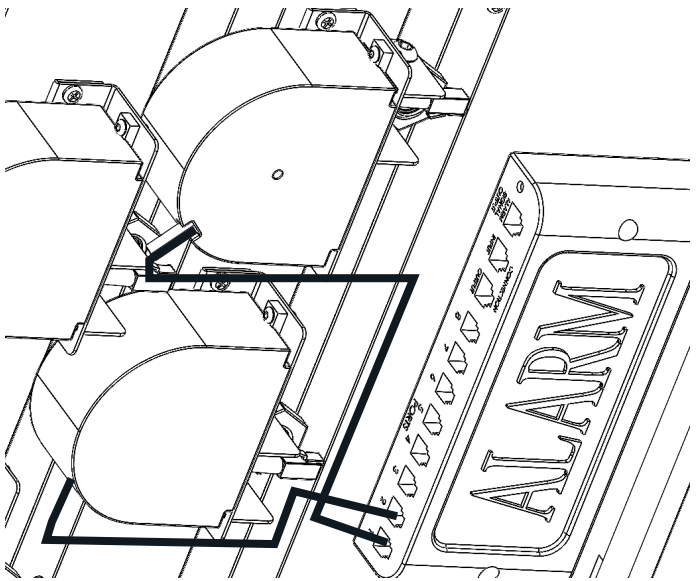
14



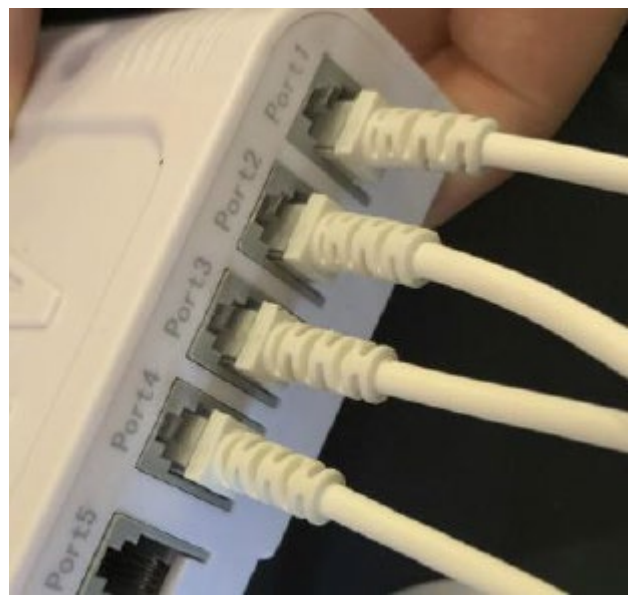
15



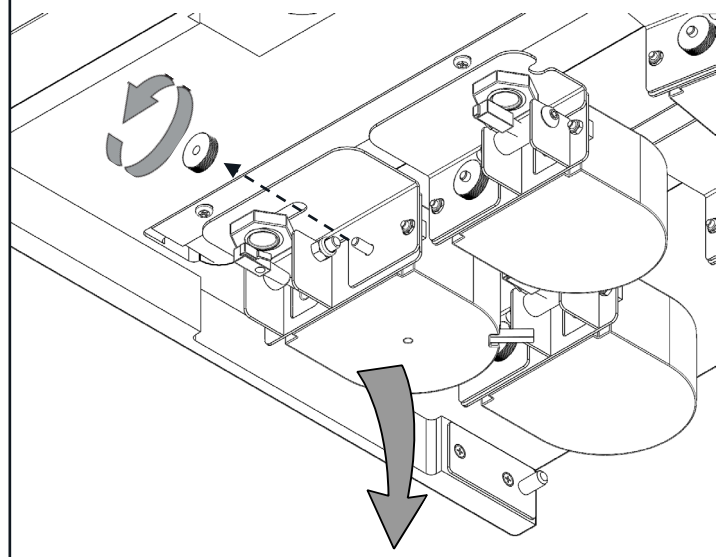
16

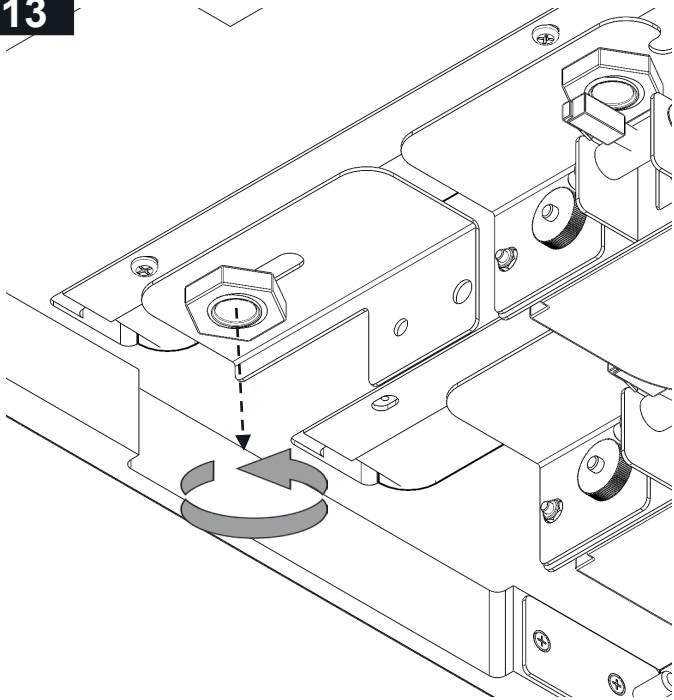
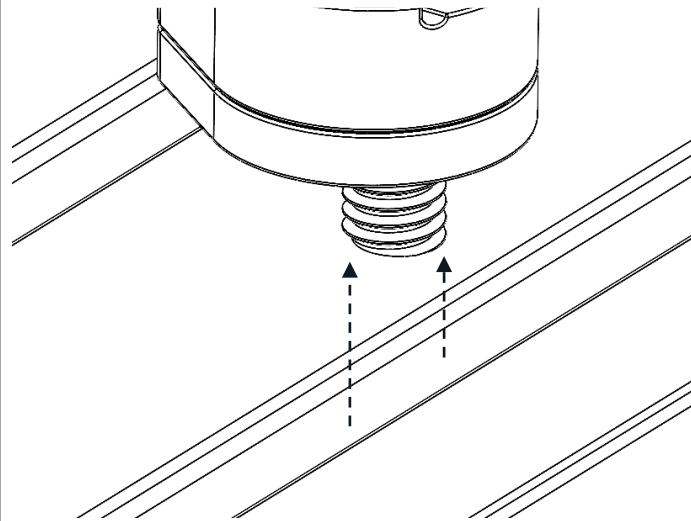
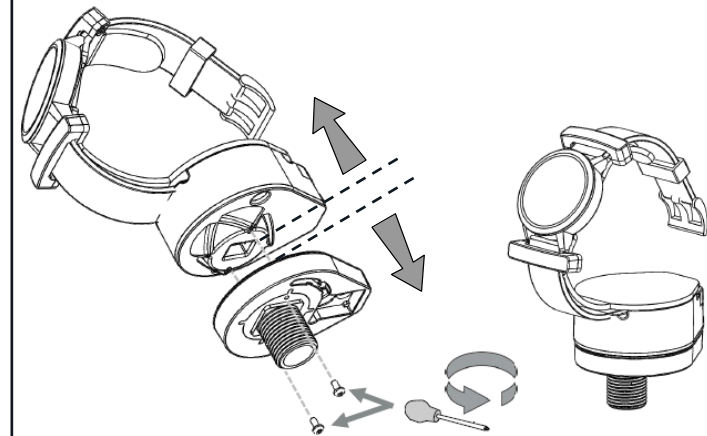
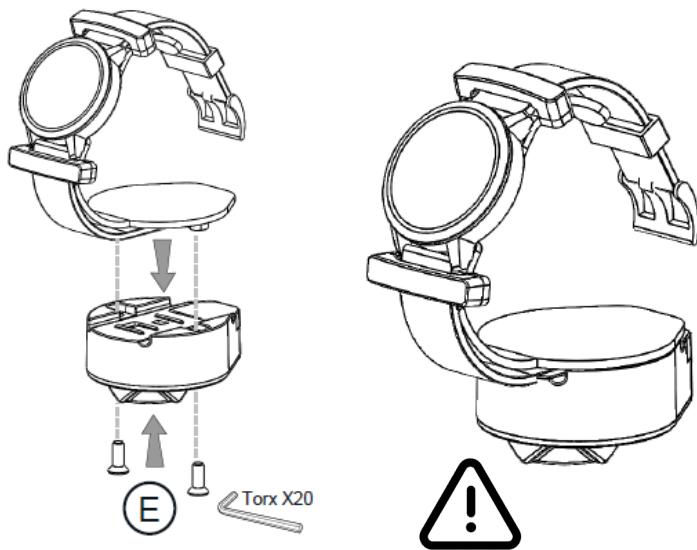


17

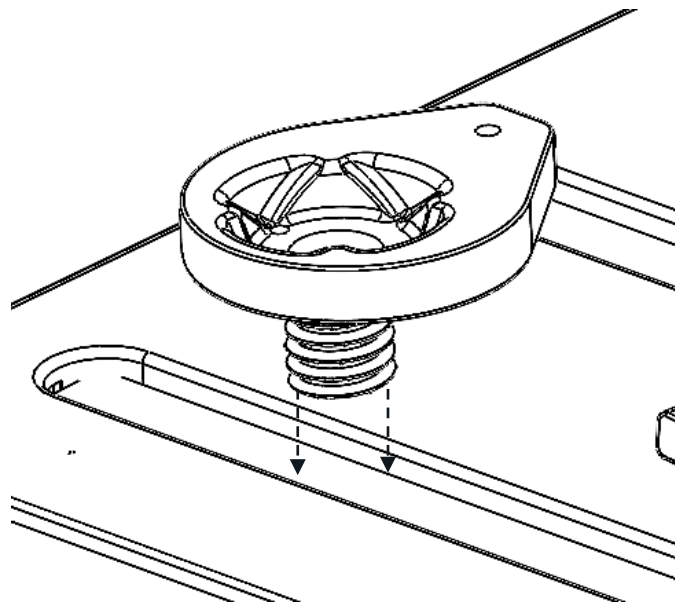
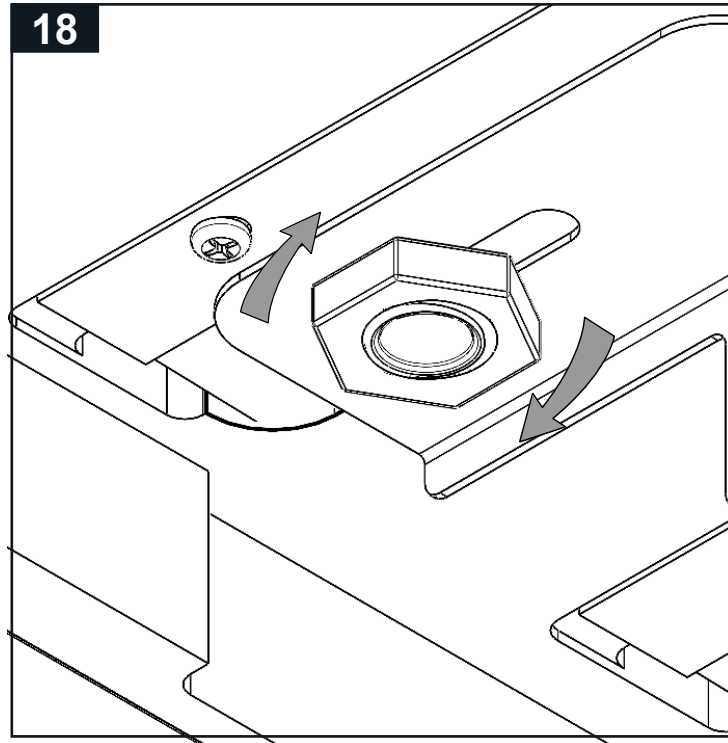


18

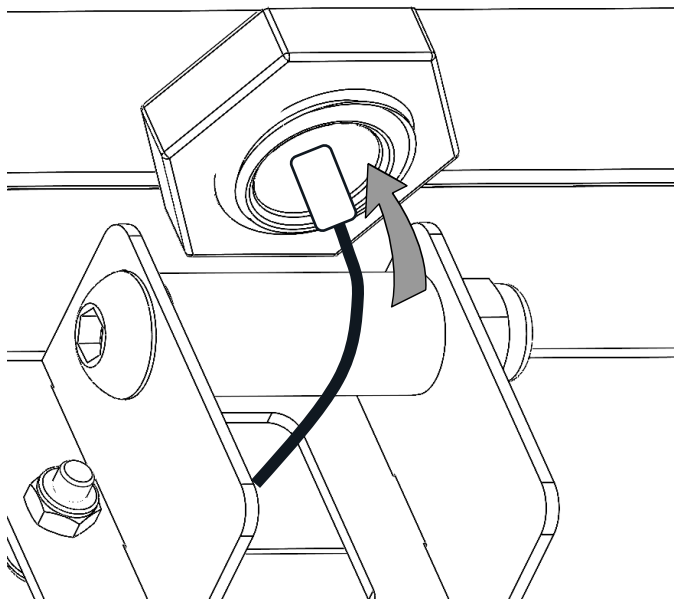


13**14****15****16**

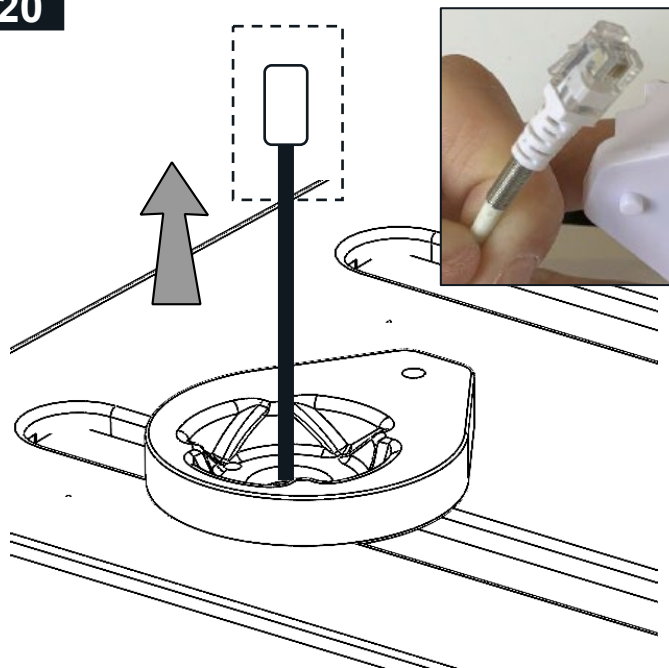
REMOVE EXISTING CRADLE FROM THE
PLASTIC MOULDING SO THAT IT CAN BE
REATTACHED TO GOLD POST IF
REQUIRED

17**18****GARMIN**

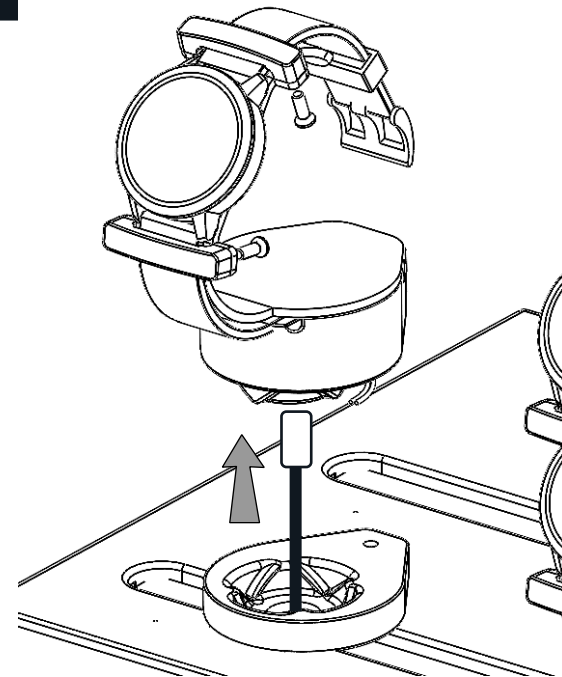
19



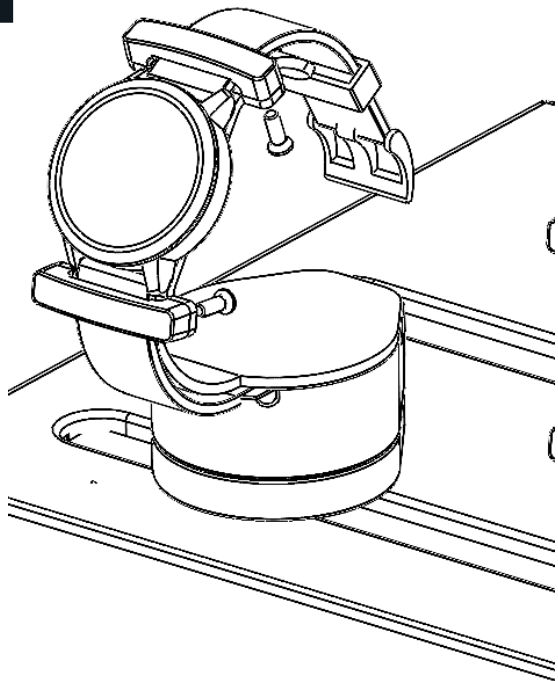
20



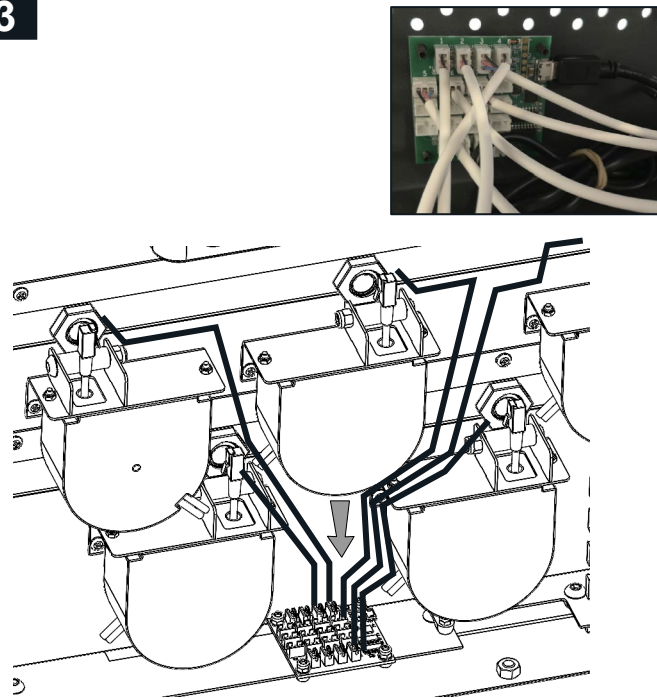
21



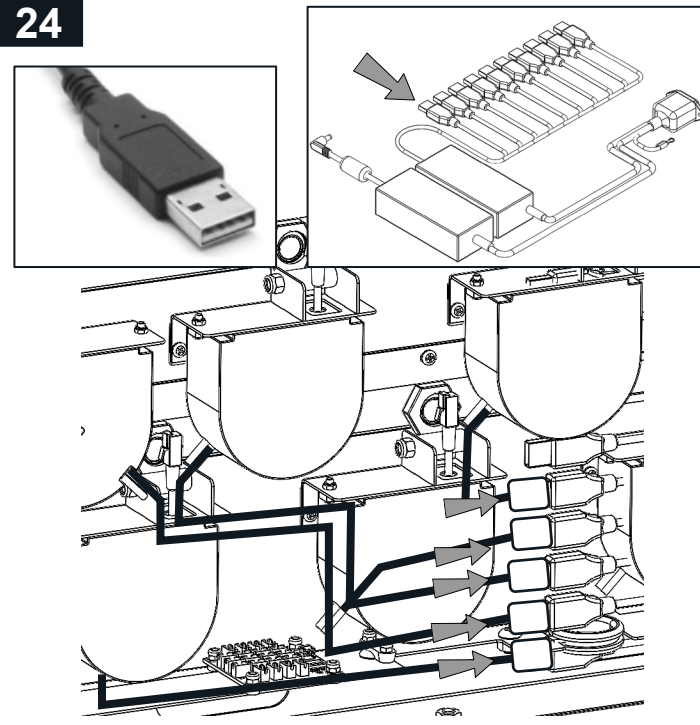
22



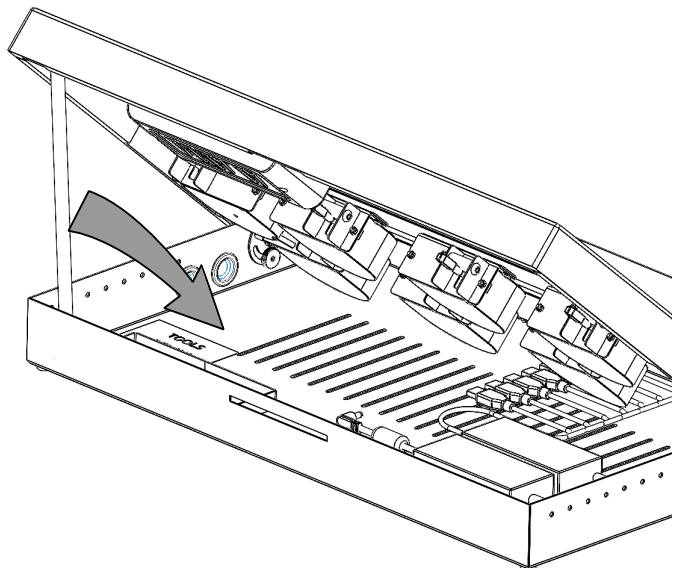
23



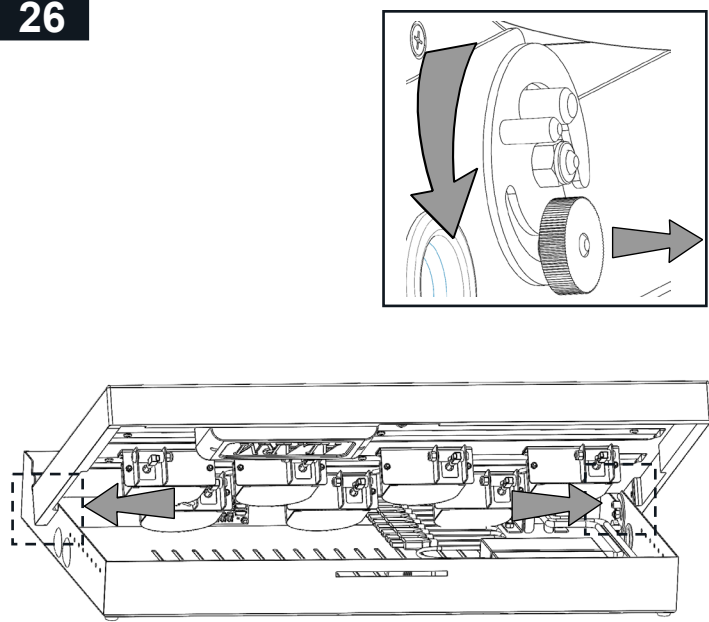
24



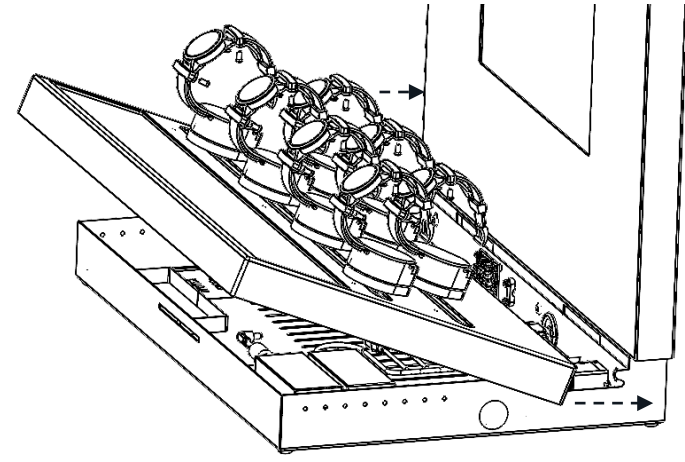
25



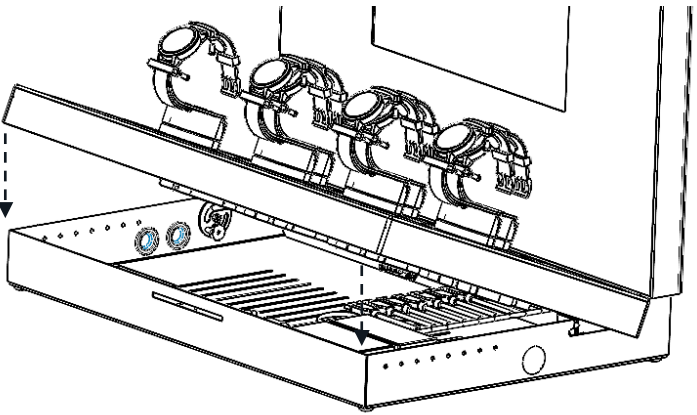
26



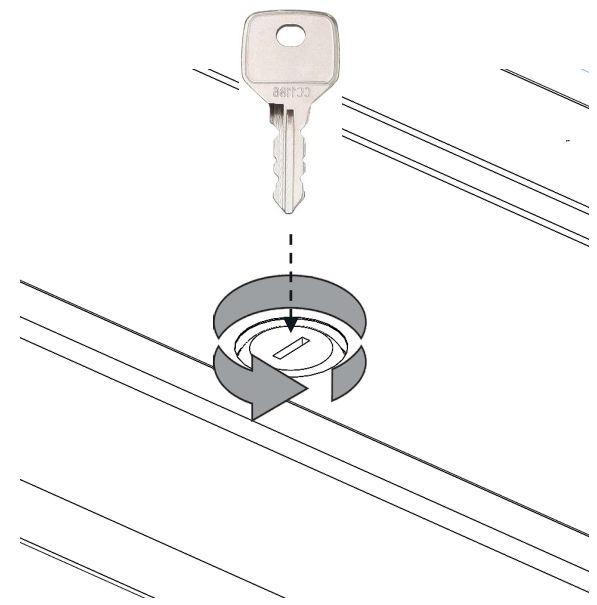
27



28

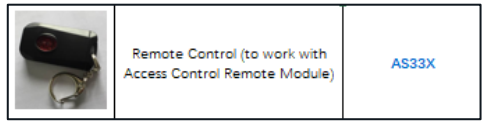
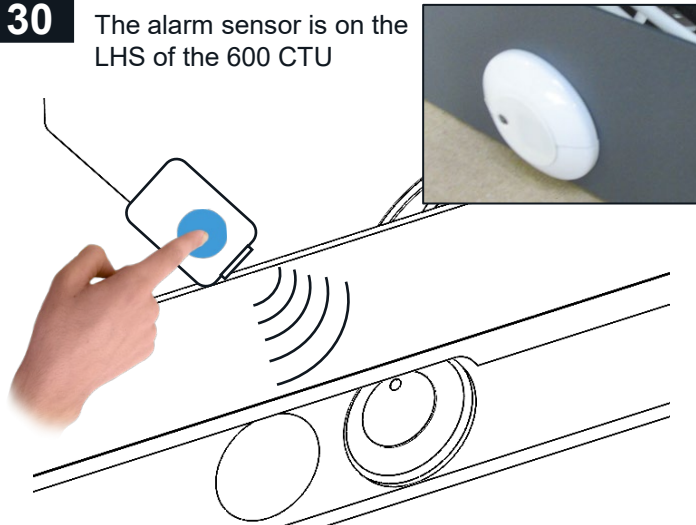


29

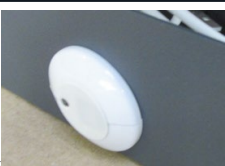


30

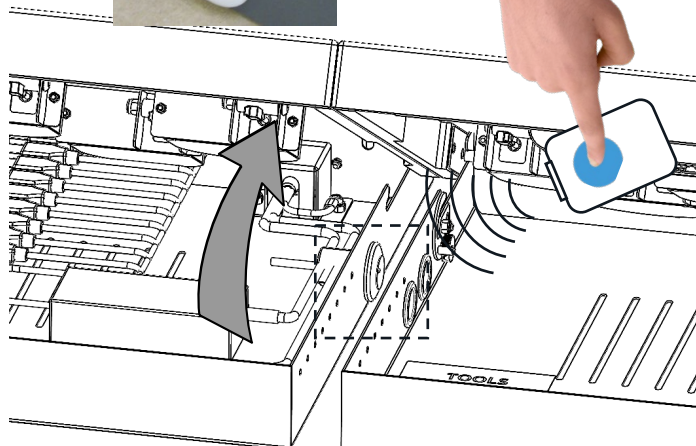
The alarm sensor is on the LHS of the 600 CTU



31



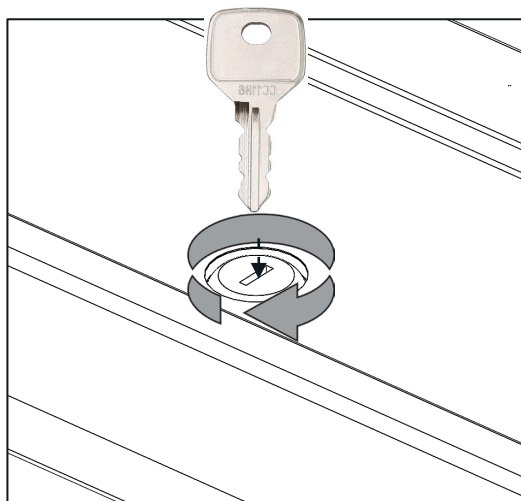
The alarm sensor is on the LHS of the 600 CTU



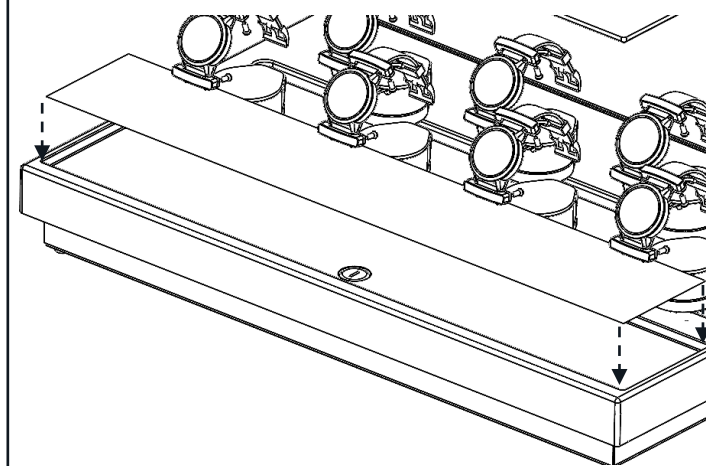
Remote Control (to work with Access Control Remote Module)

AS33X

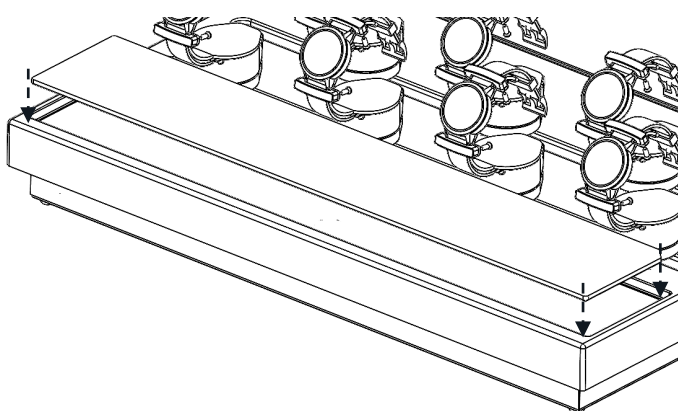
32



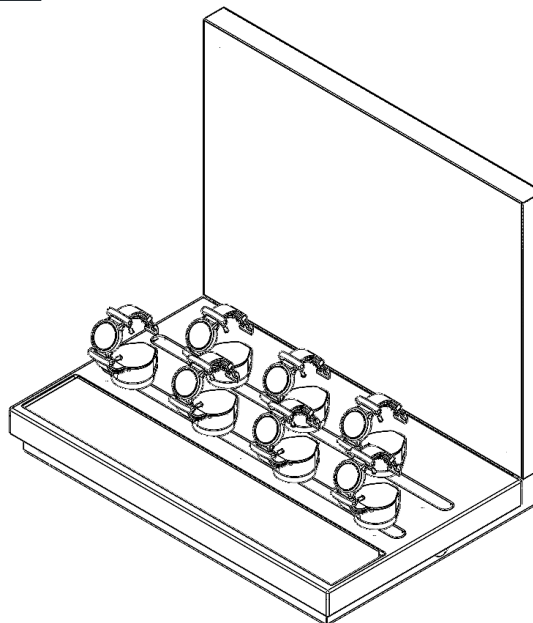
33



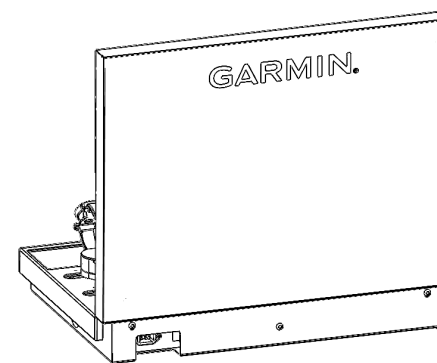
31



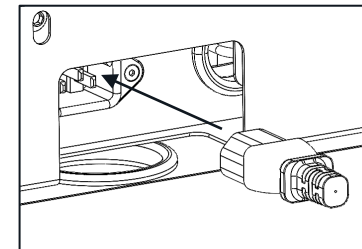
28



29

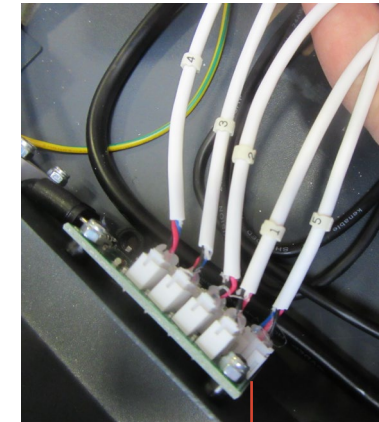
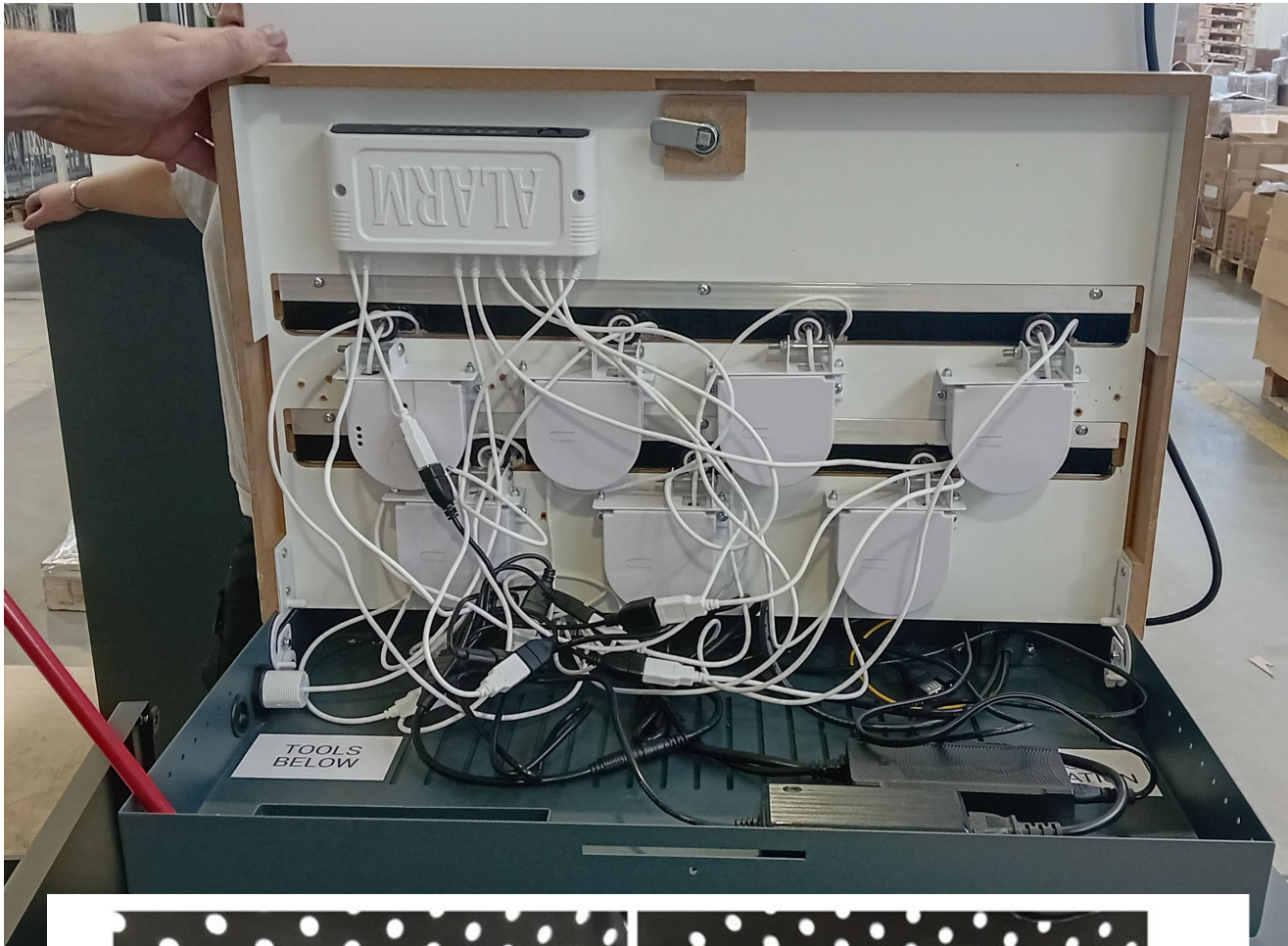


Ⓒ X1



Platinum Security
Lift and Learn function
Power for live products with
USB-C Charging
Alarm included
Positions 1-7

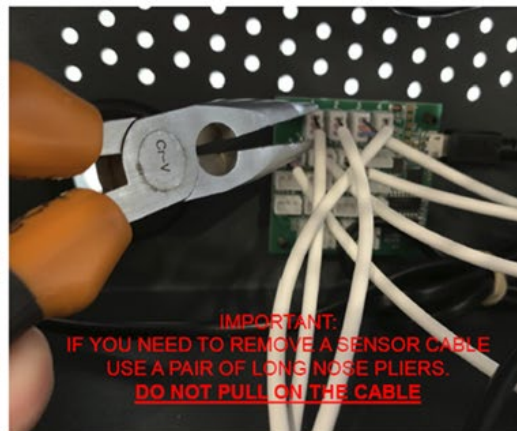




Lift and Learn cables
for PCB board
numbered 1-7



ENSURE THE SENSOR CABLE FROM SECURITY
DEVICE 1 IS PLUGGED INTO PORT 1 ON THE PCB,
AND SO ON FOR THE OTHER SECURITY DEVICES



IMPORTANT:
IF YOU NEED TO REMOVE A SENSOR CABLE
USE A PAIR OF LONG NOSE PLIERS.
DO NOT PULL ON THE CABLE