

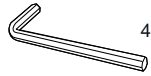
**GARMIN**

CORPORATE DISPLAY

P12674 | 19/11/2024

CTU + CABINET 600

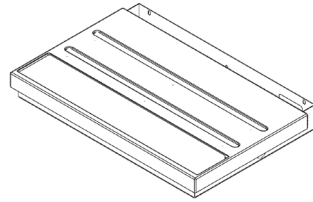
**TOOLS REQUIRED – SUPPLIED**



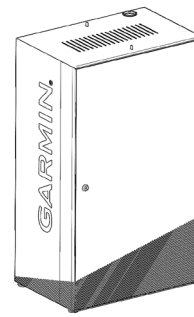
4MM ALLEN KEY

**Parts**

(A) X1  
600MM



(B) X1  
600MM



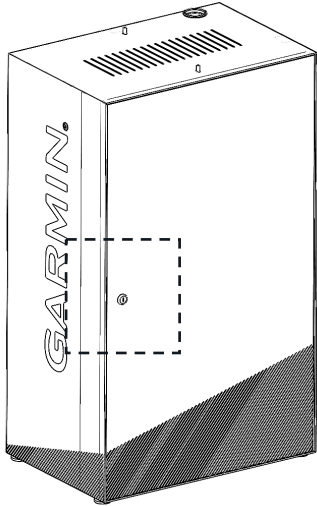
(D) X2  
M6X16MM  
SCREW



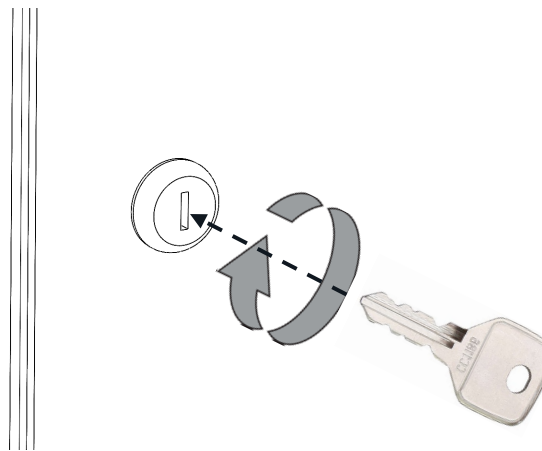
(E) X1



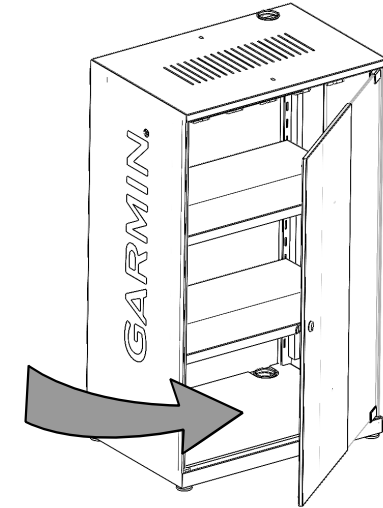
**1**



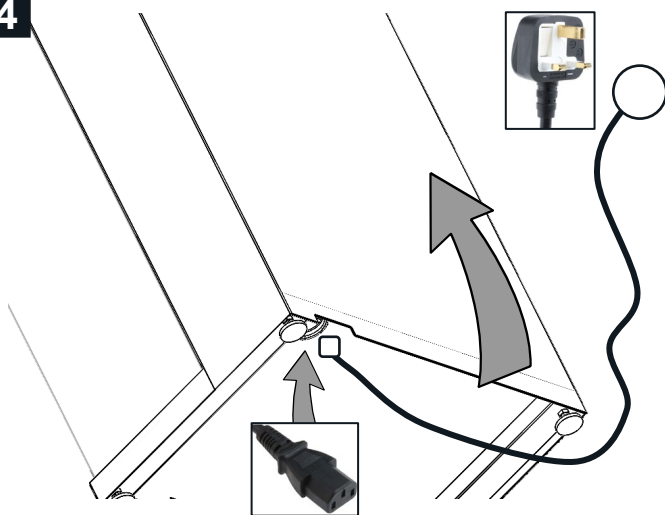
**2**



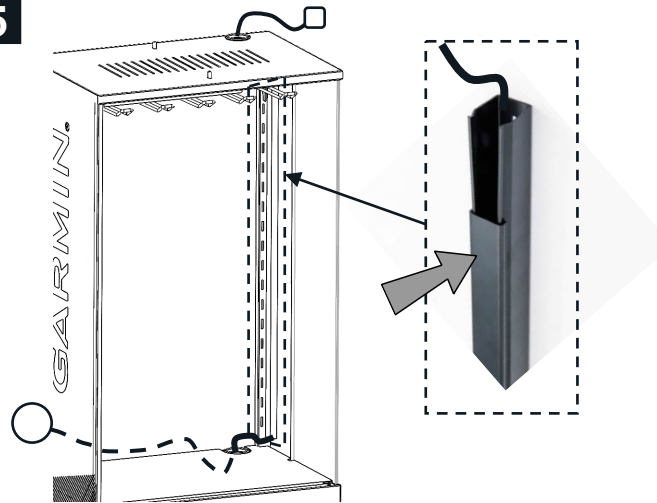
**3**



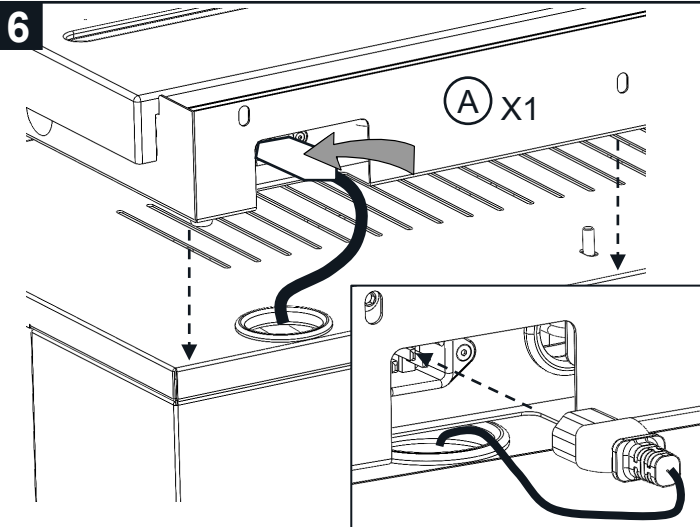
**4**



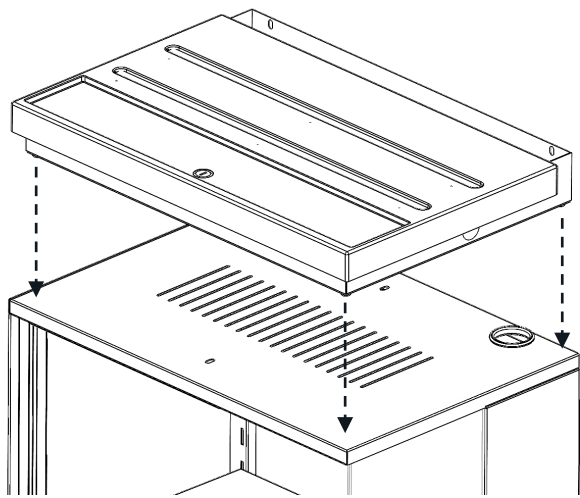
**5**



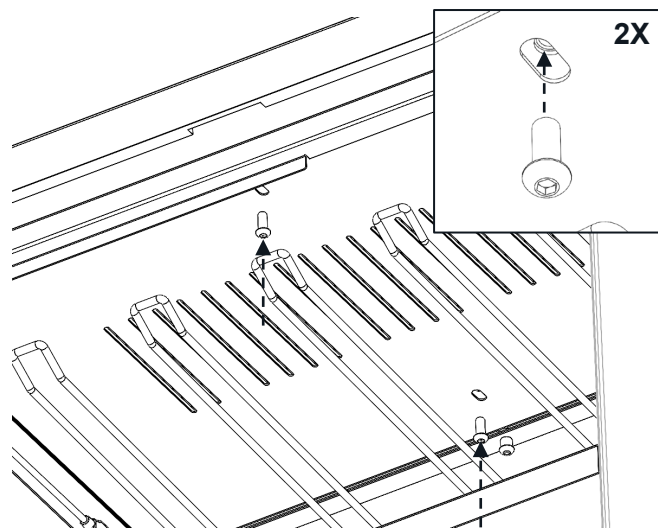
**6**



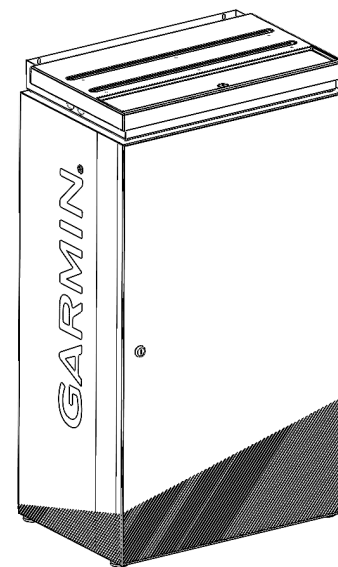
7



8



9



**LEVEL FEET TO STABILISE UNIT.**