

GARMIN

CORPORATE DISPLAY

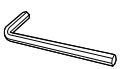
P12674

Jan 2026

2 CTU + ADJOINING STRETCHED SCREEN 1200

TOOLS REQUIRED - SUPPLIED

4MM ALLEN KEY



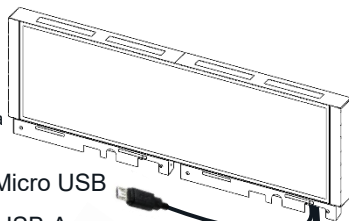
5.5MM WRENCH



Parts

(B) X1

1200mm with internal media player



Micro USB

USB-A female

IEC C14



(C) X10
M6X8MM



(D) X2
M6X16MM



(E) X3
M6 tooth lock washer



(G) X1

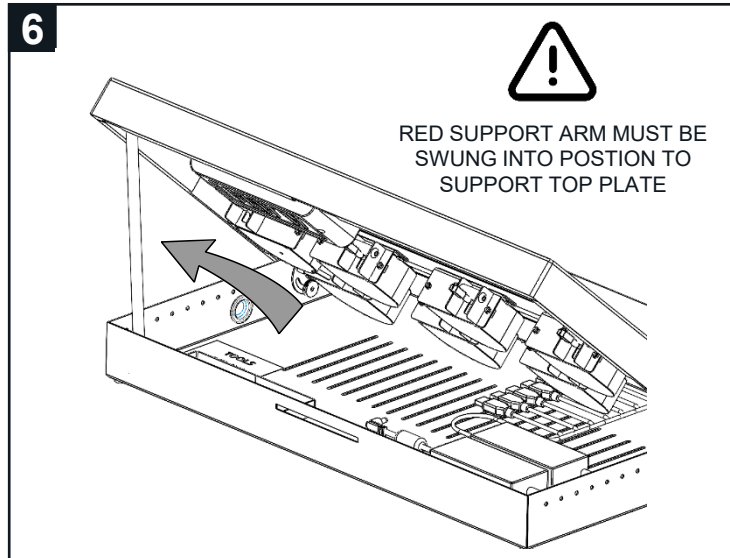
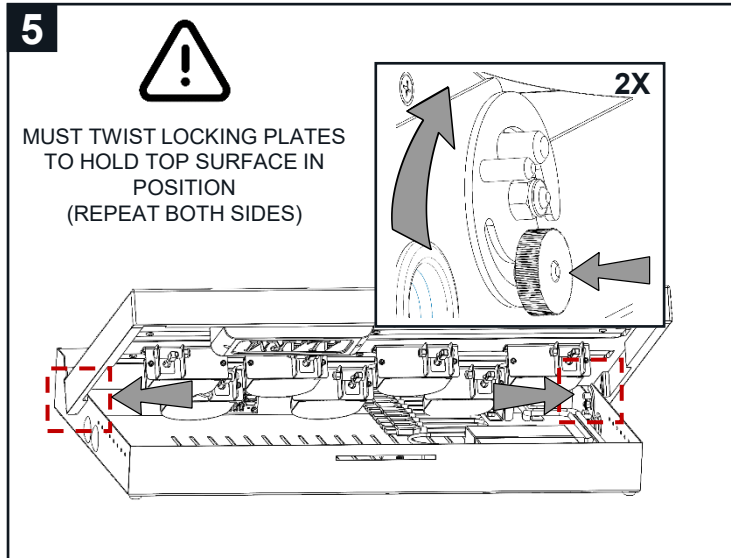
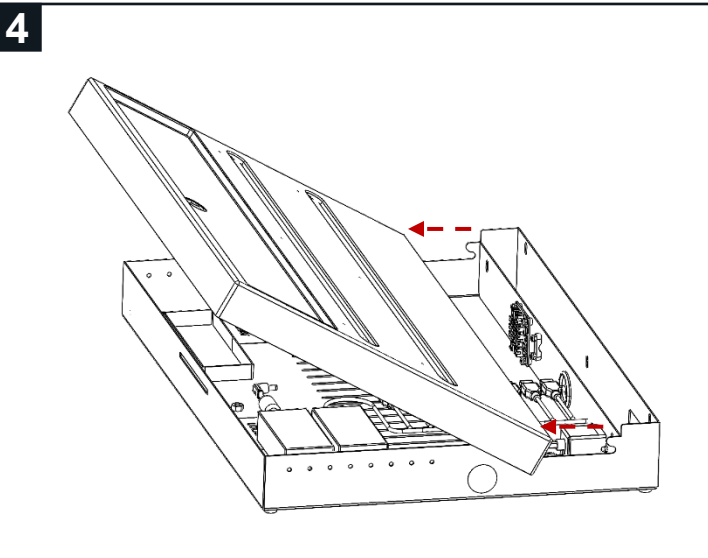
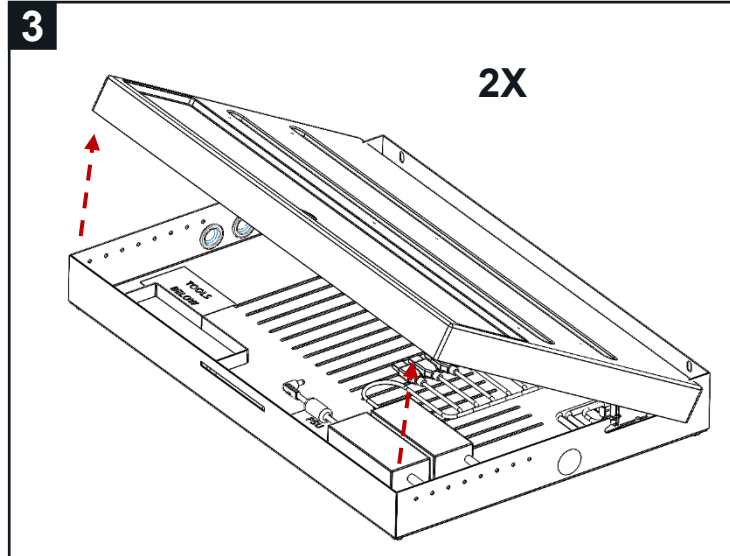
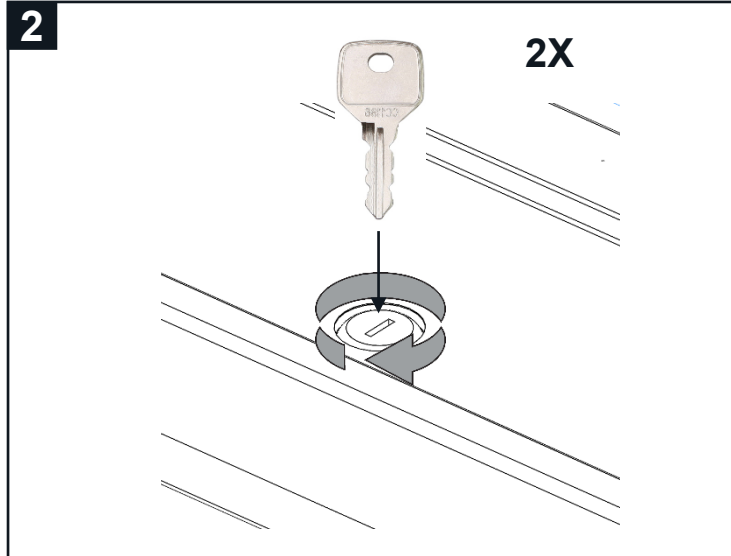
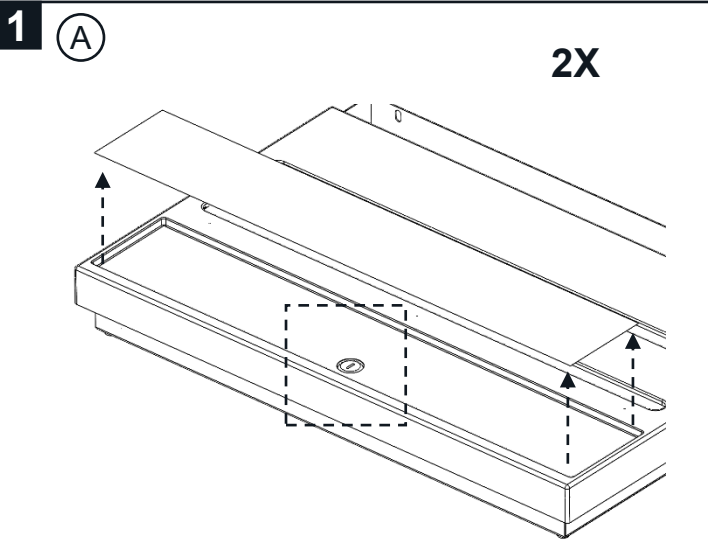
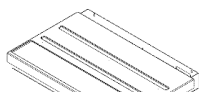


(F) X2



(H) X1
Ethernet cable

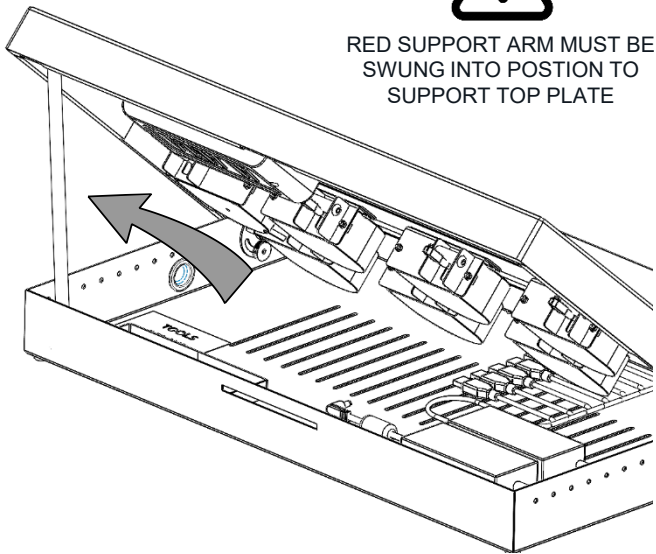
(A) X2
600MM



7

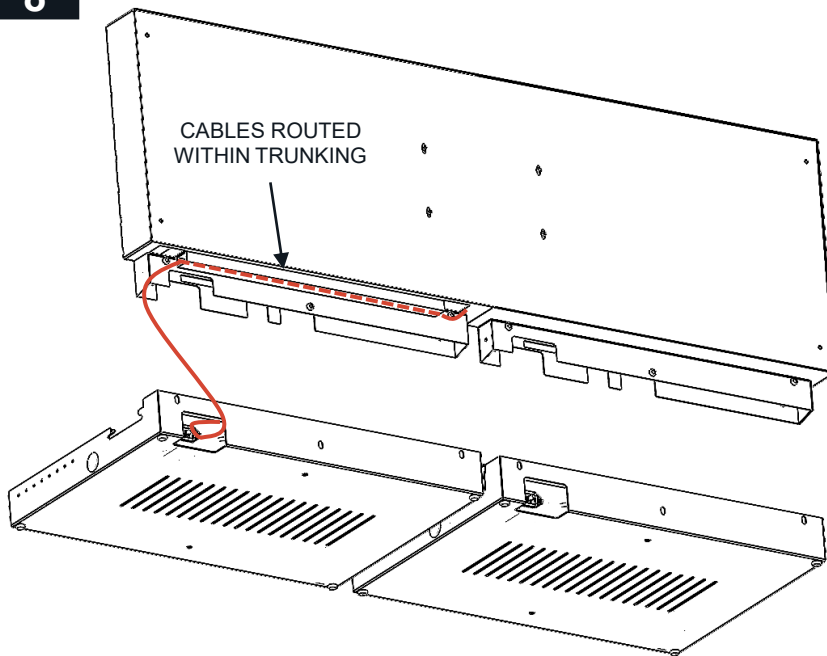


RED SUPPORT ARM MUST BE SWUNG INTO POSITION TO SUPPORT TOP PLATE

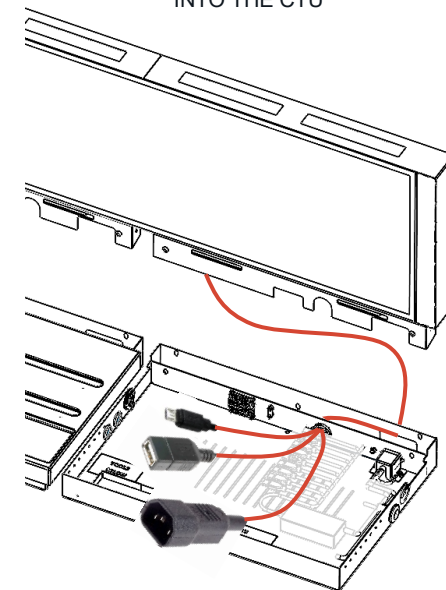


8

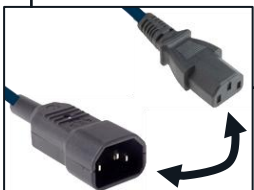
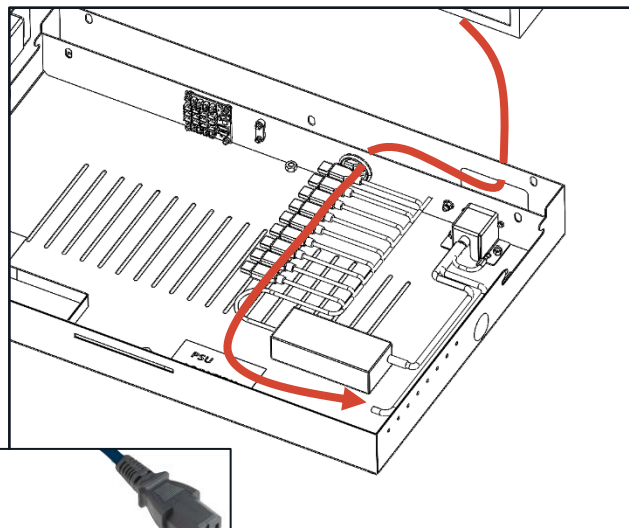
CABLES ROUTED WITHIN TRUNKING



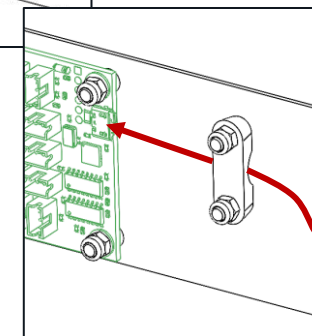
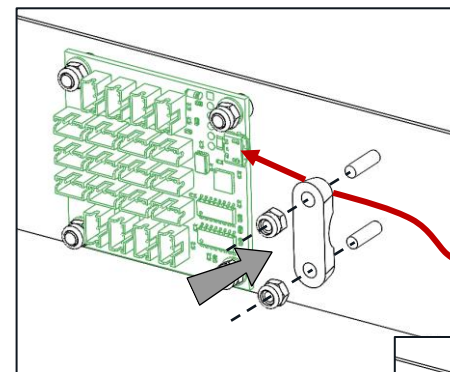
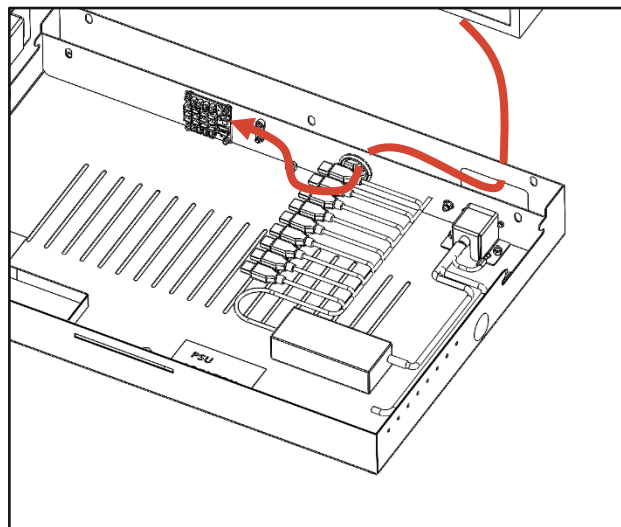
BRING THE CABLES FROM THE SCREEN INTO THE CTU



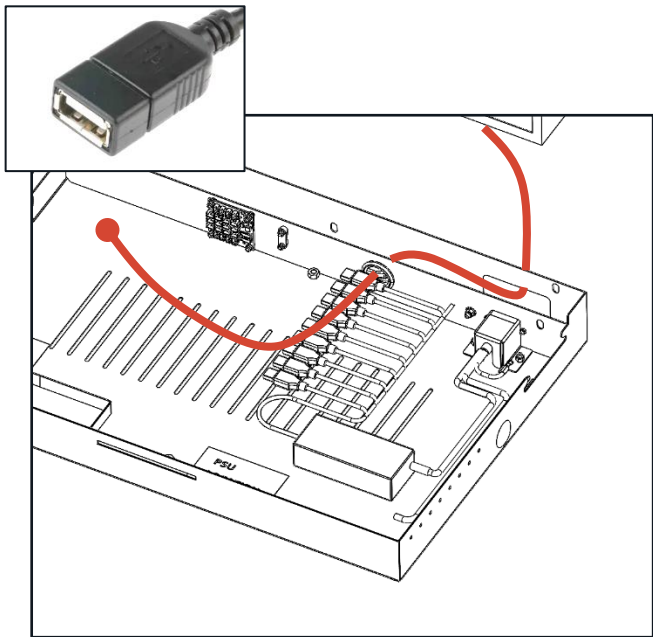
9



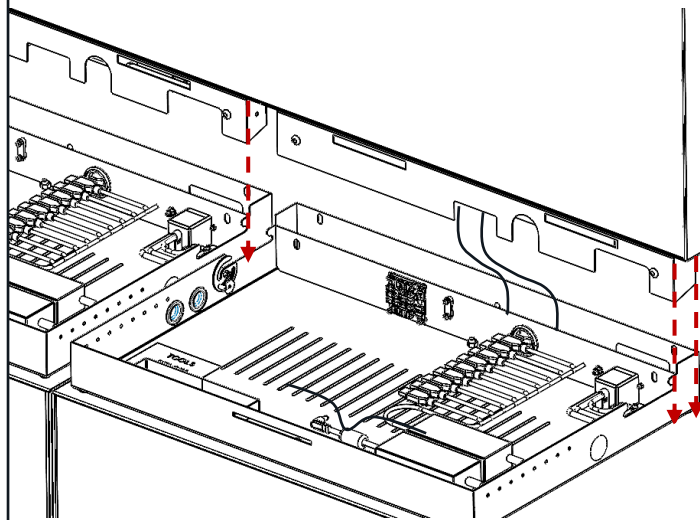
10



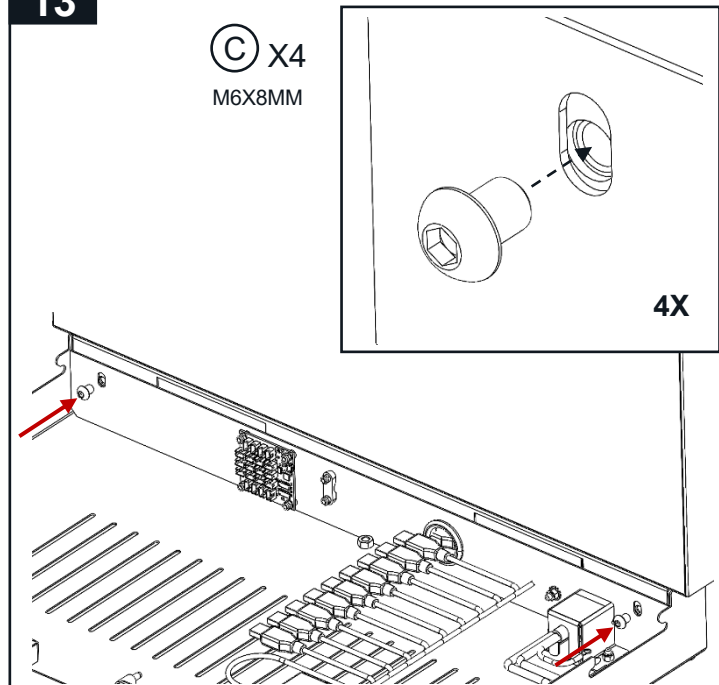
11



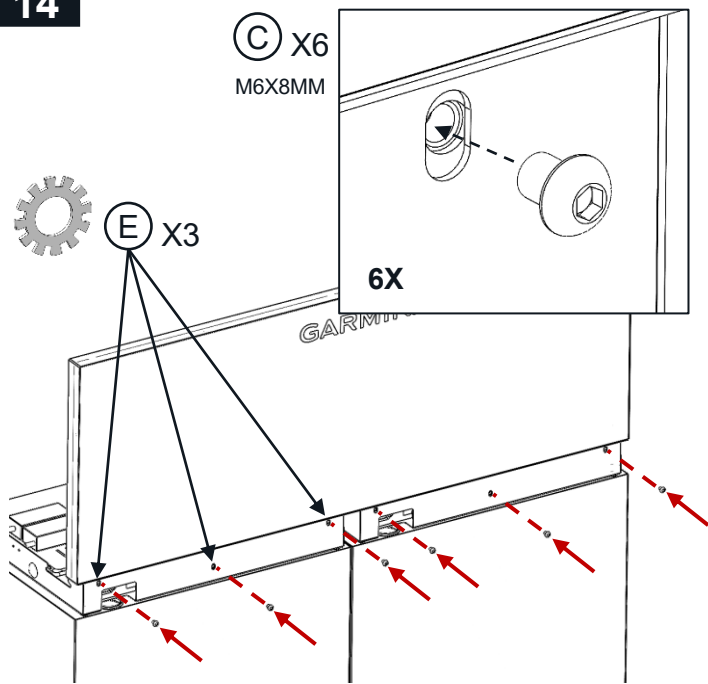
12



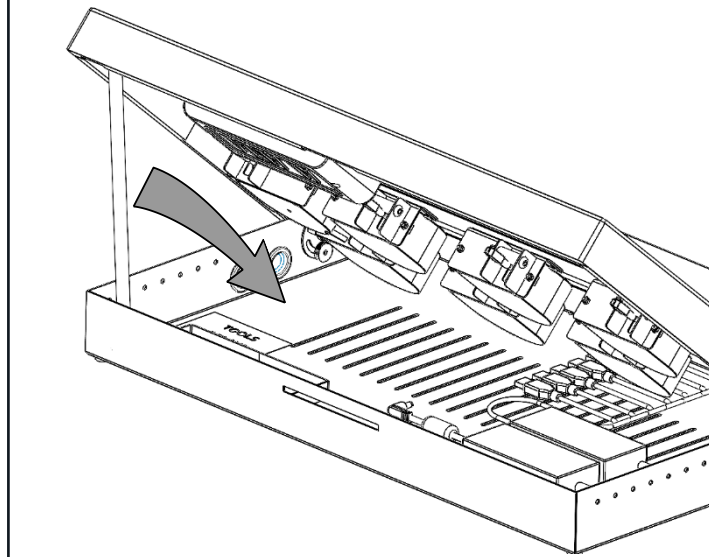
13



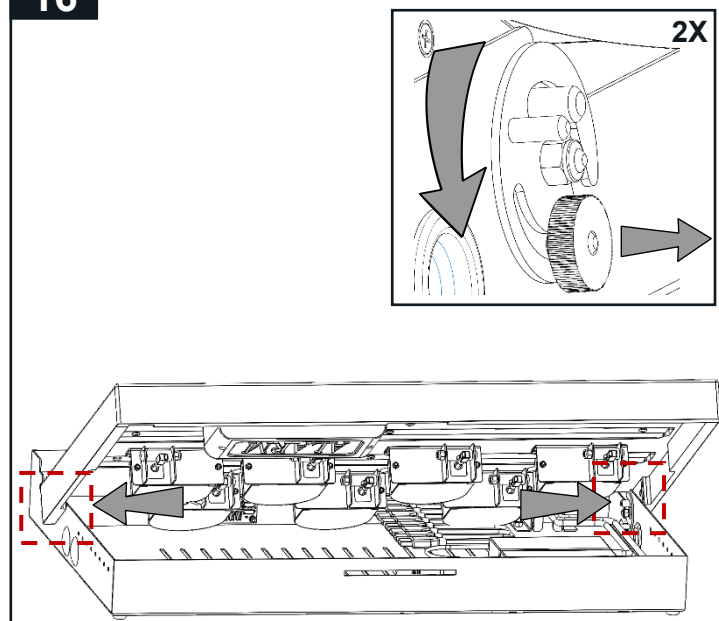
14



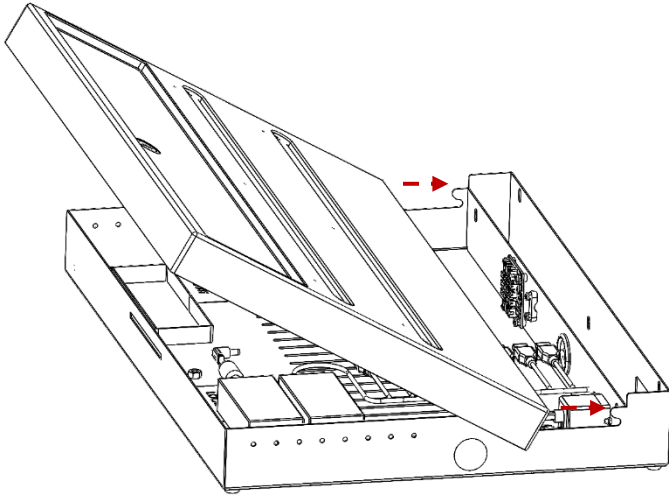
15



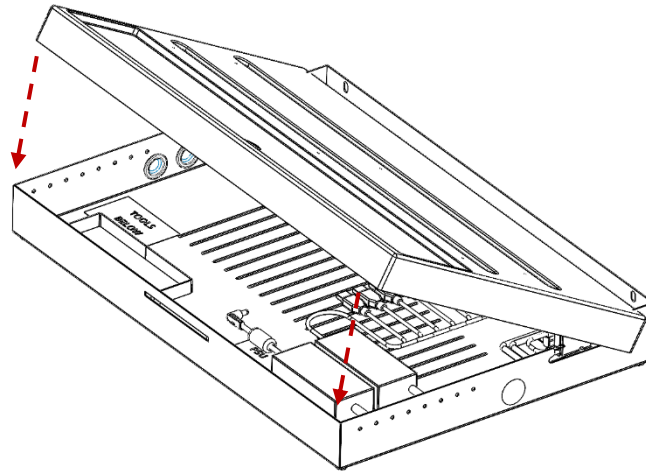
16



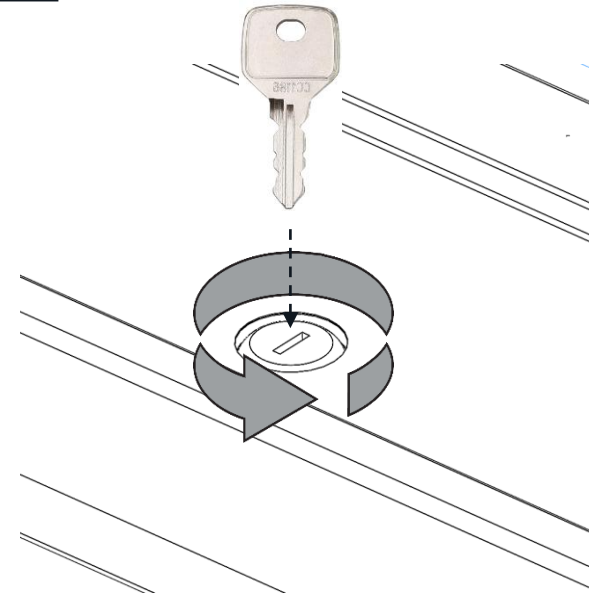
17



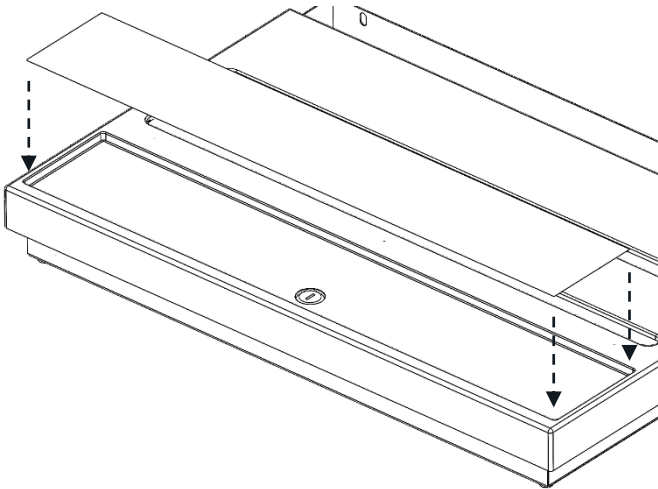
18



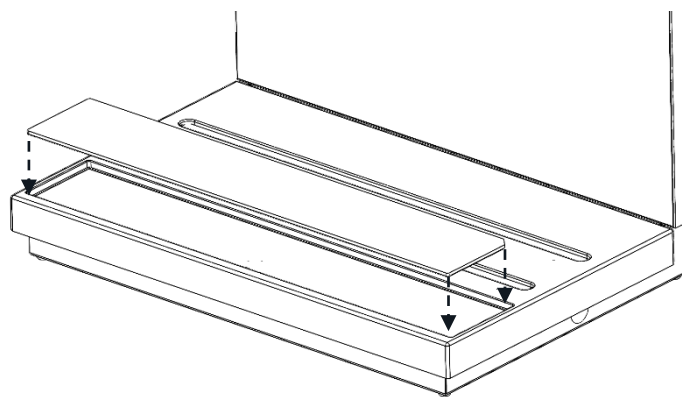
19



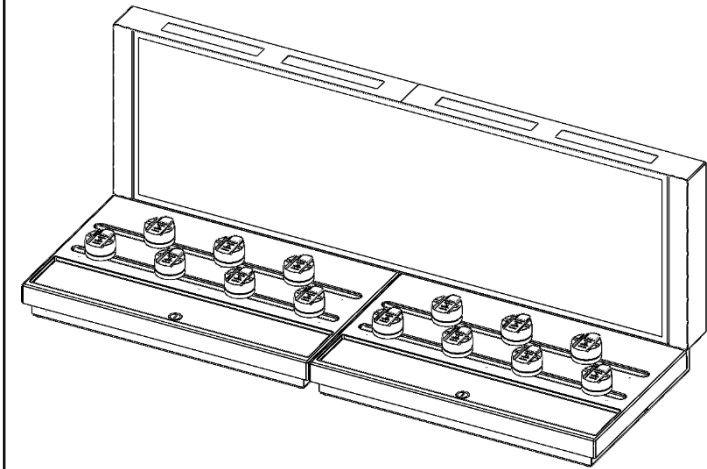
20

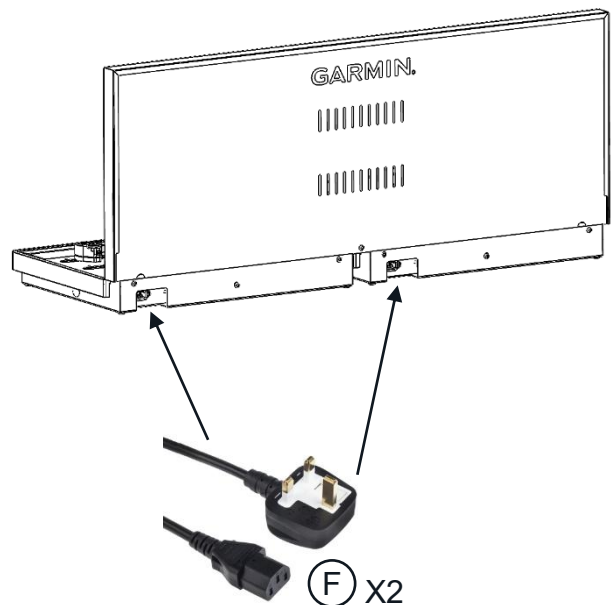


21



22





To connect your display using OnSign please contact
please contact our digital technician on:

Tel: +44 (0) 7834 170 290
Email: dplan-support@hhglobal.com