

GARMIN

CORPORATE DISPLAY

P12674 | 23/02/2026

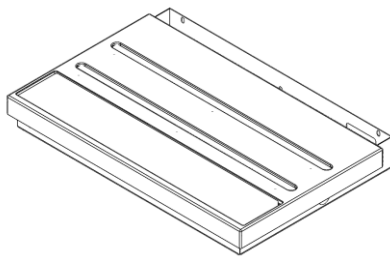
600 CTU + 21" SCREEN
HEADER + GOLD POSTS

TOOLS REQUIRED - SUPPLIED

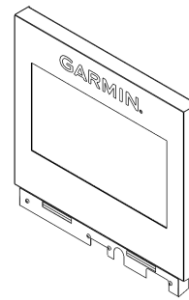


Parts

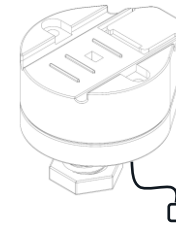
(A) X1
600MM



(B) X1
600MM



(B) X7
GOLD
SECURITY
POSTS
(PRE-FITTED)



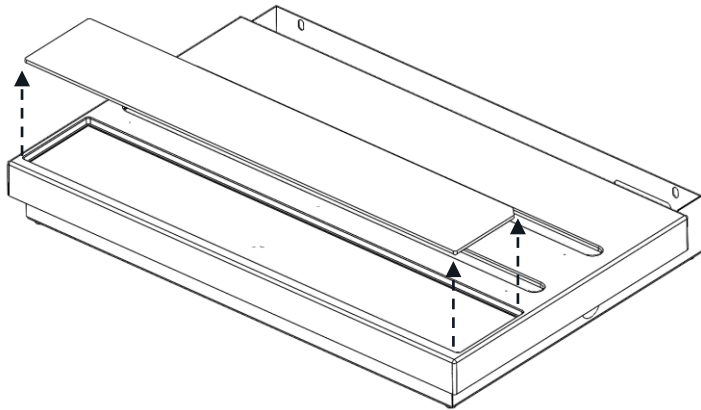
(E) X5
M6X8MM
SCREW



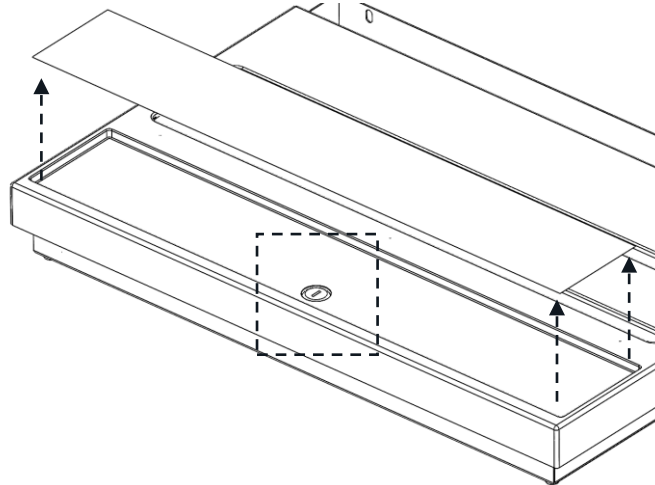
(C) X1



1



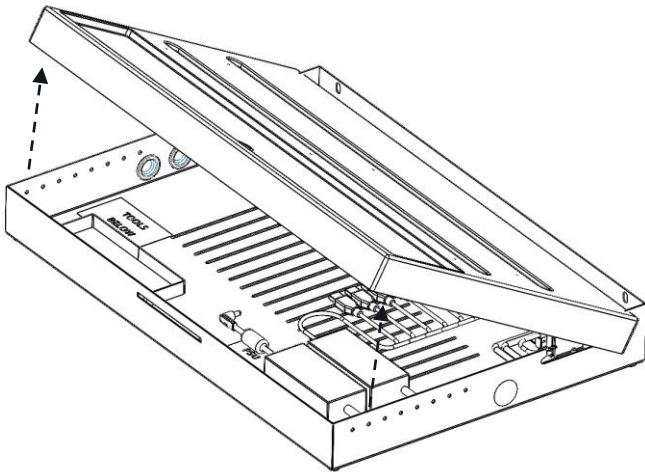
2



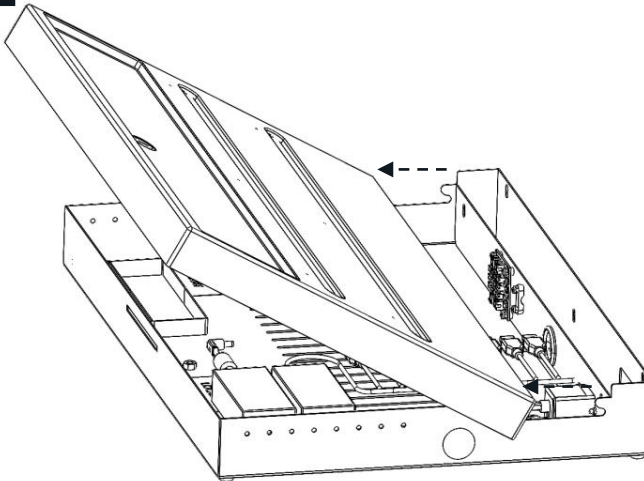
3



4

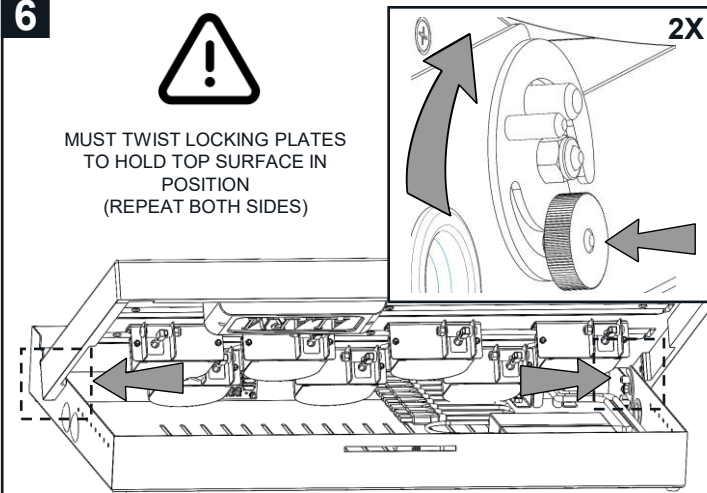


5



6

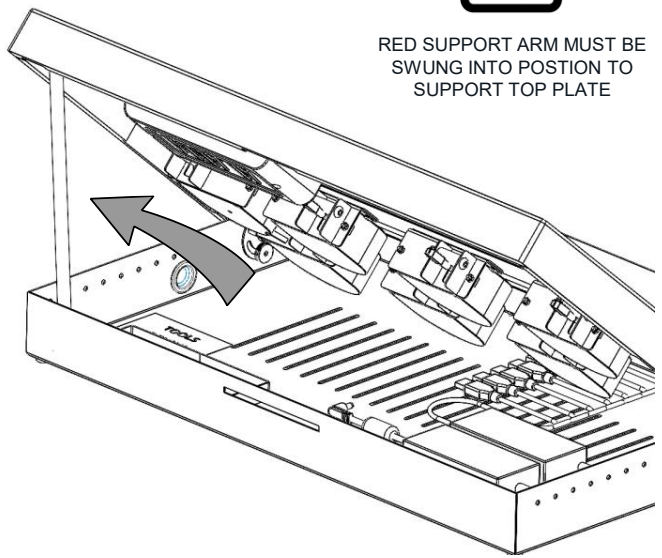

MUST TWIST LOCKING PLATES
TO HOLD TOP SURFACE IN
POSITION
(REPEAT BOTH SIDES)



7

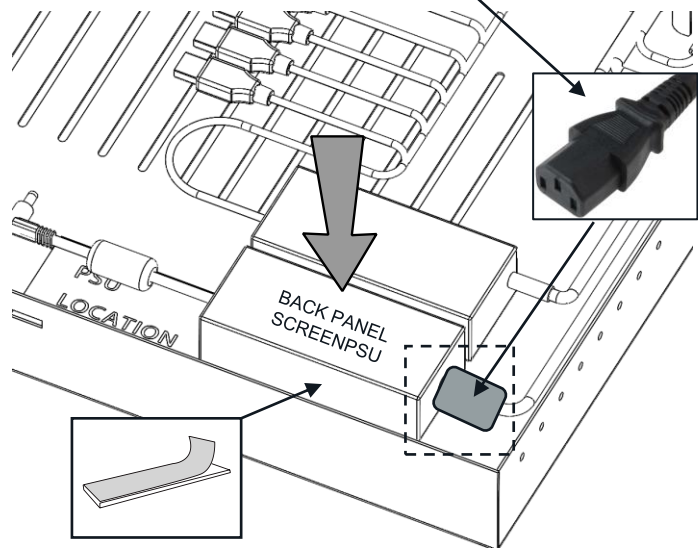


RED SUPPORT ARM MUST BE SWUNG INTO POSITION TO SUPPORT TOP PLATE

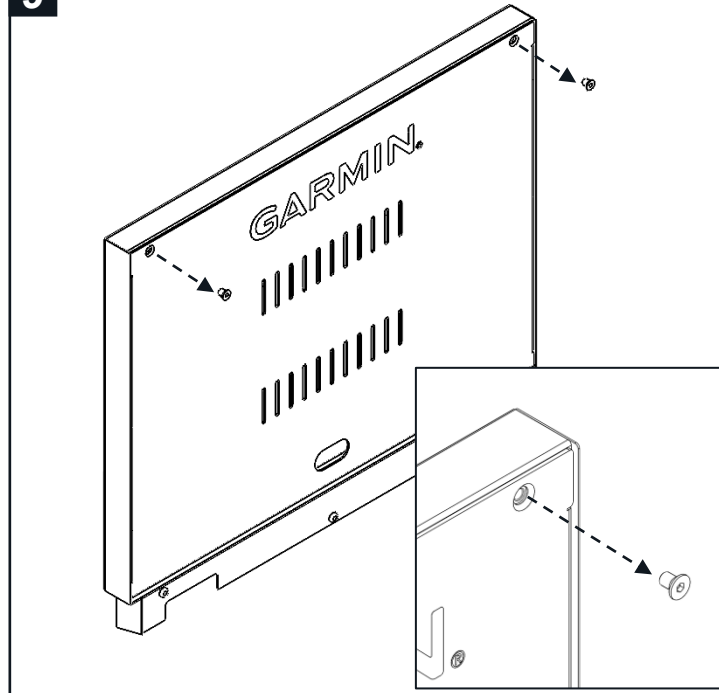


8

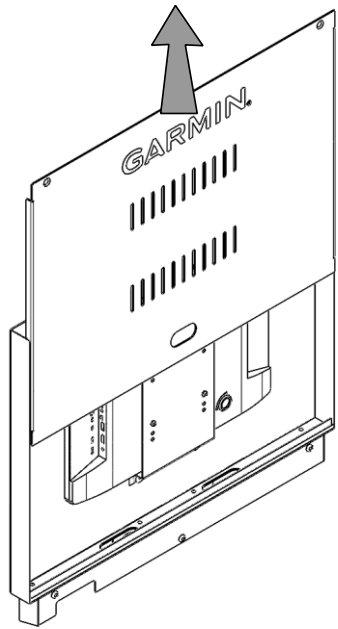
IEC PLUG COMING FROM MAIN POWER LOOM ON CTU SECTION



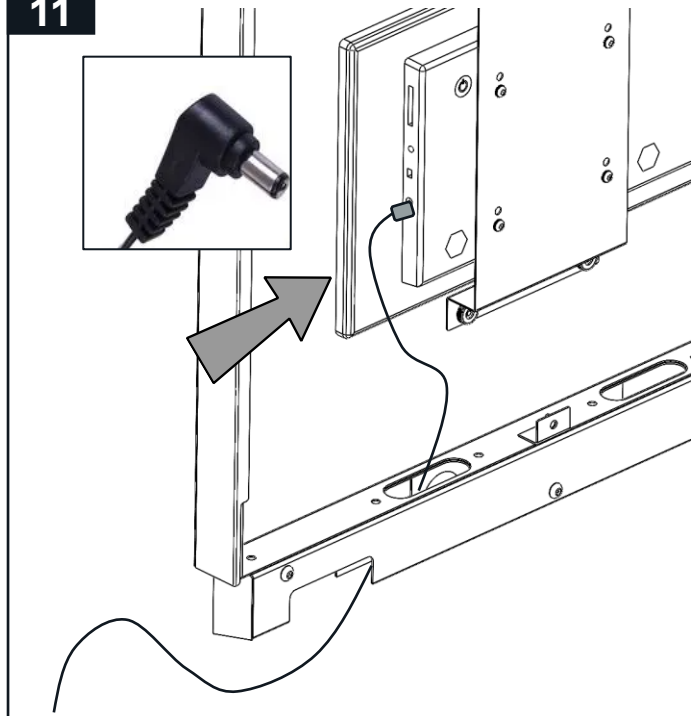
9



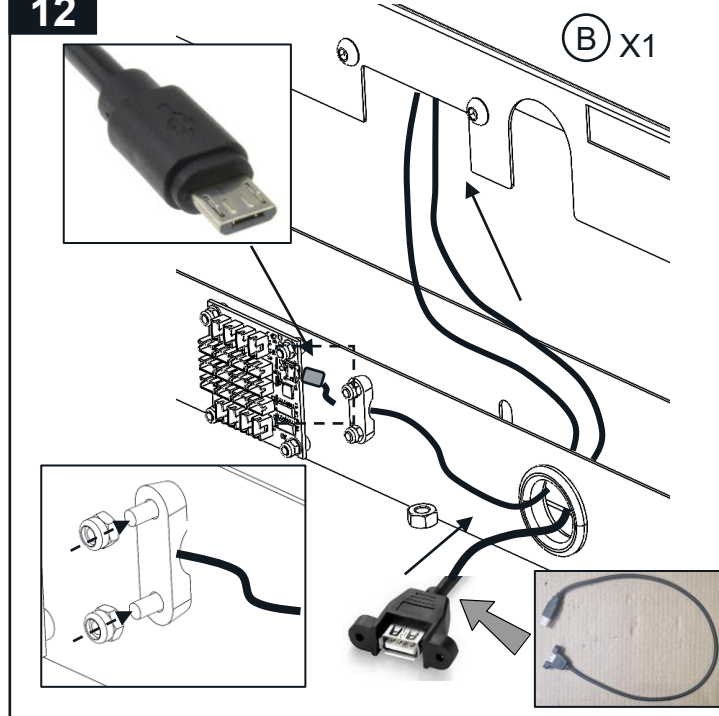
10



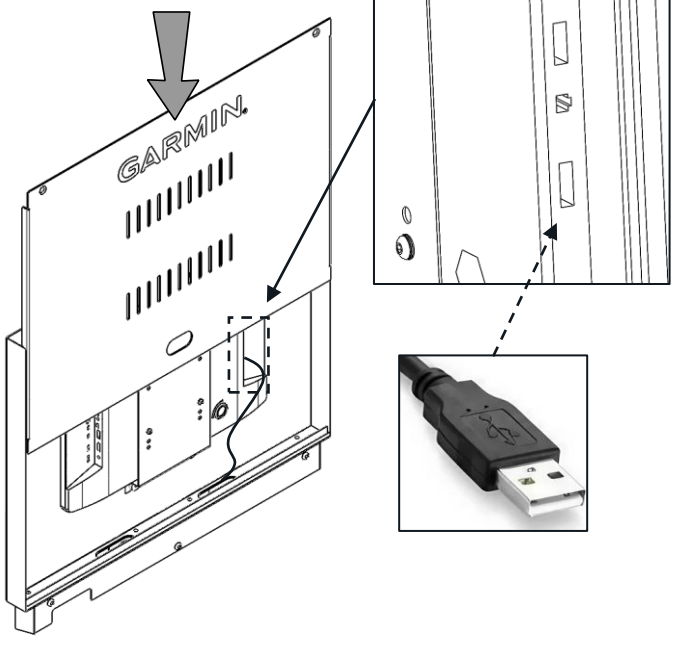
11



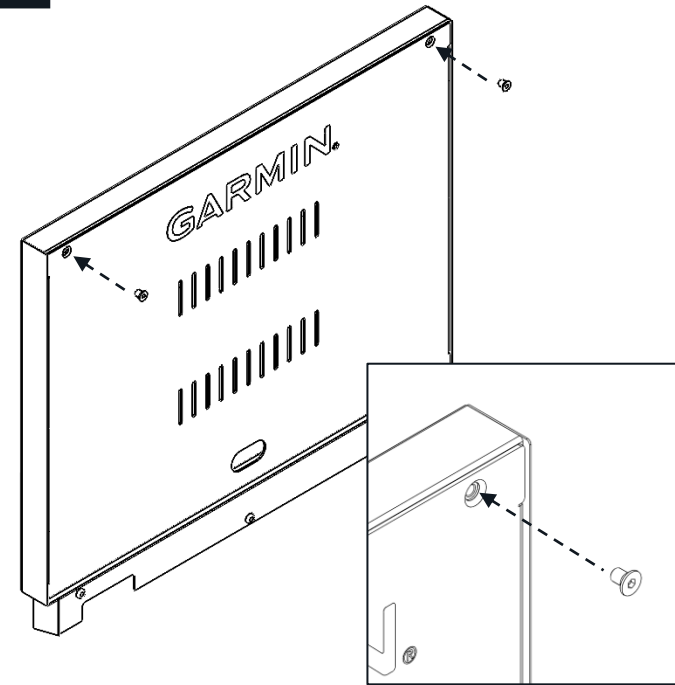
12



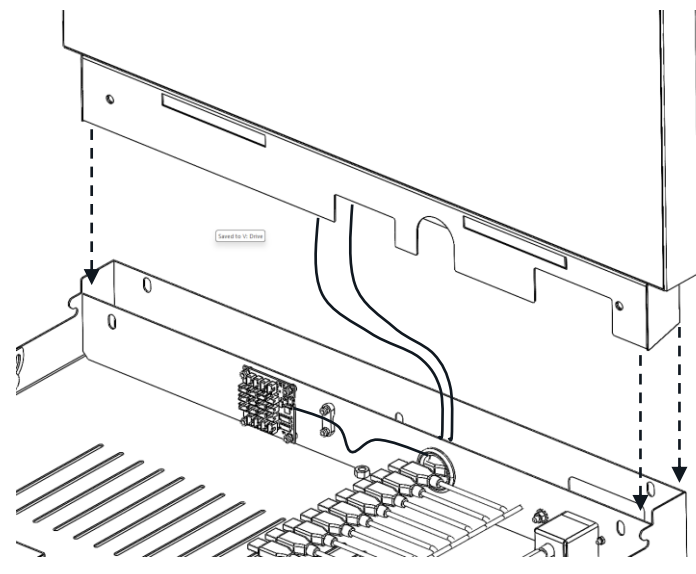
13



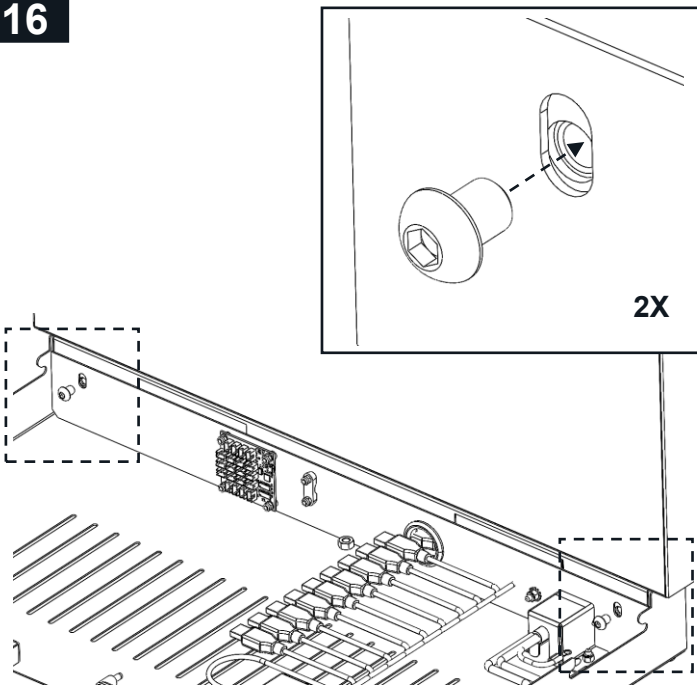
14



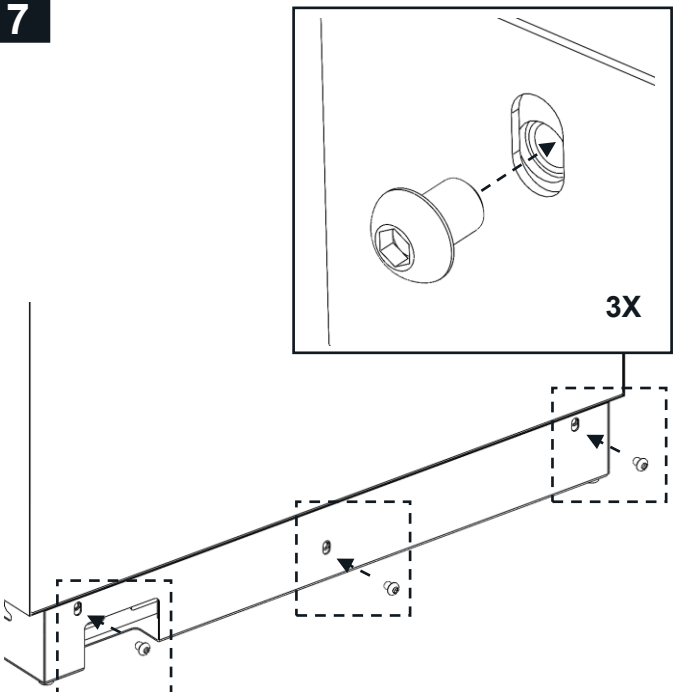
15



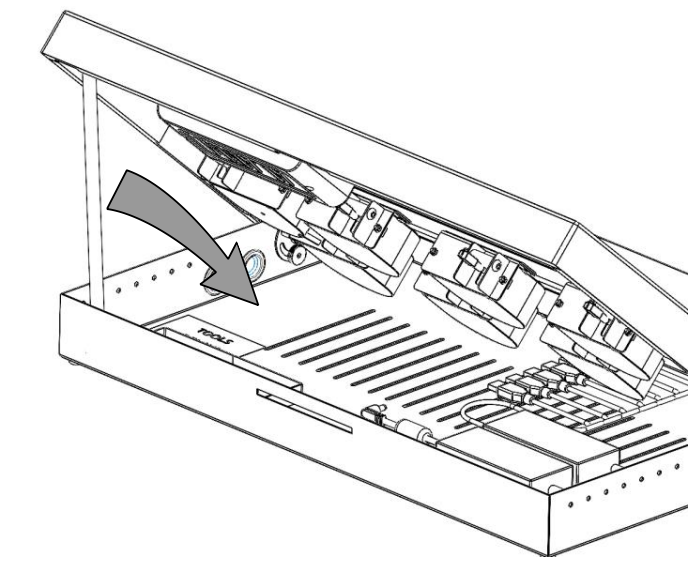
16



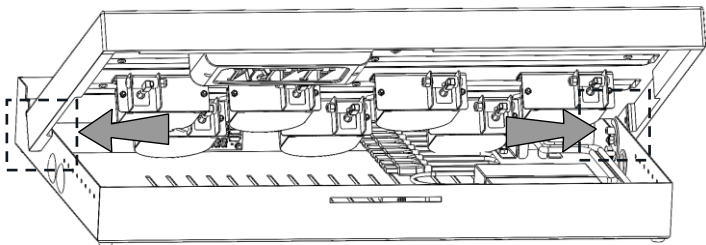
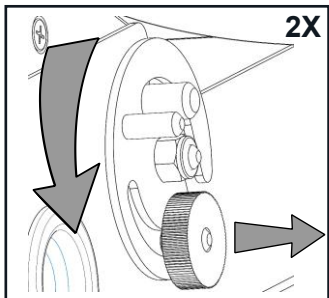
17



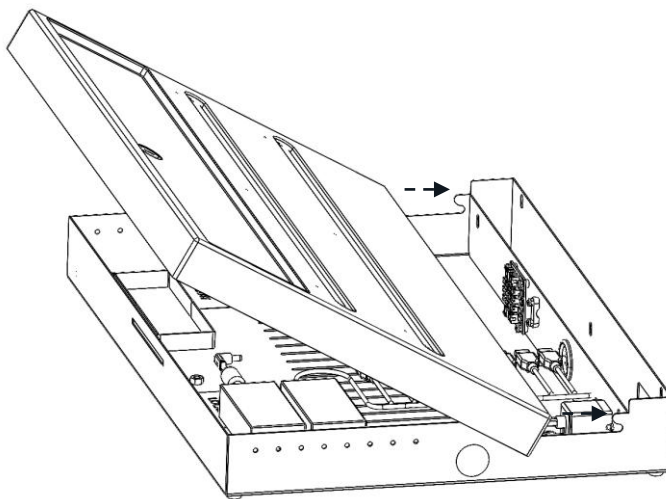
18



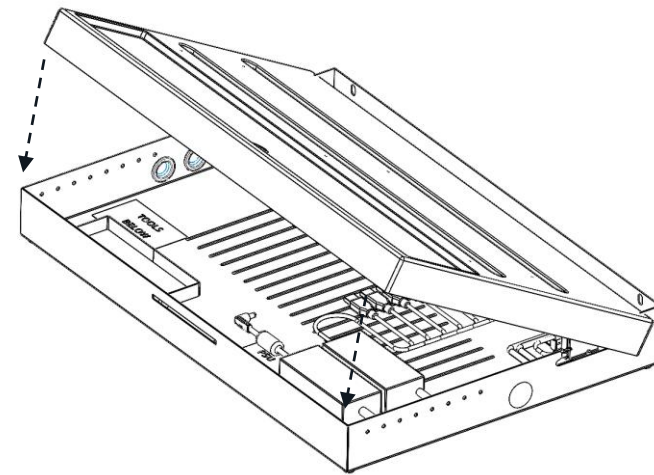
19



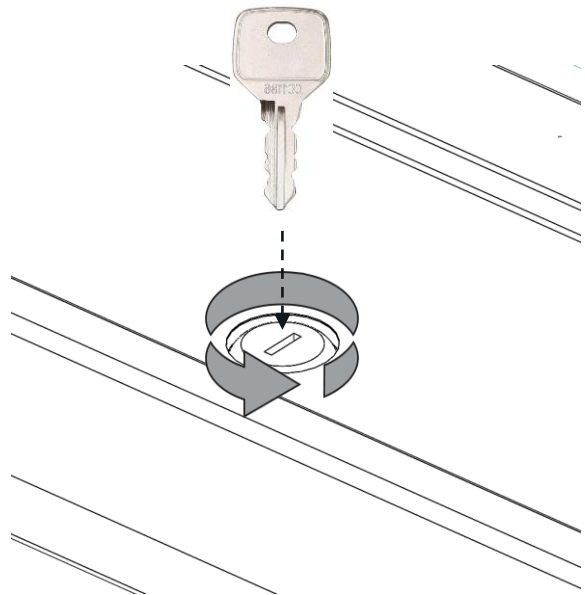
20



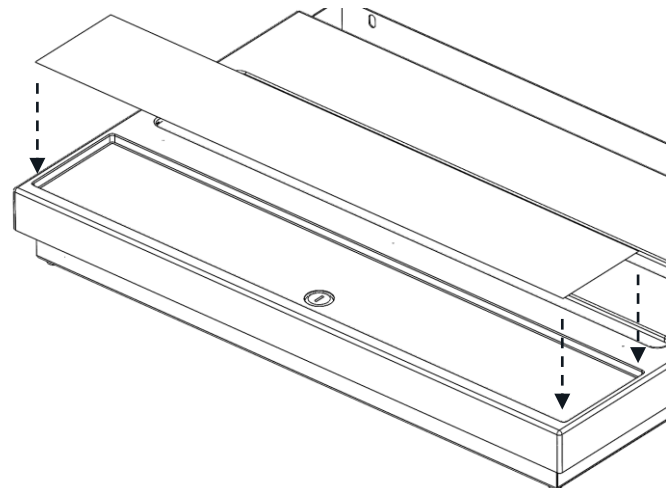
21



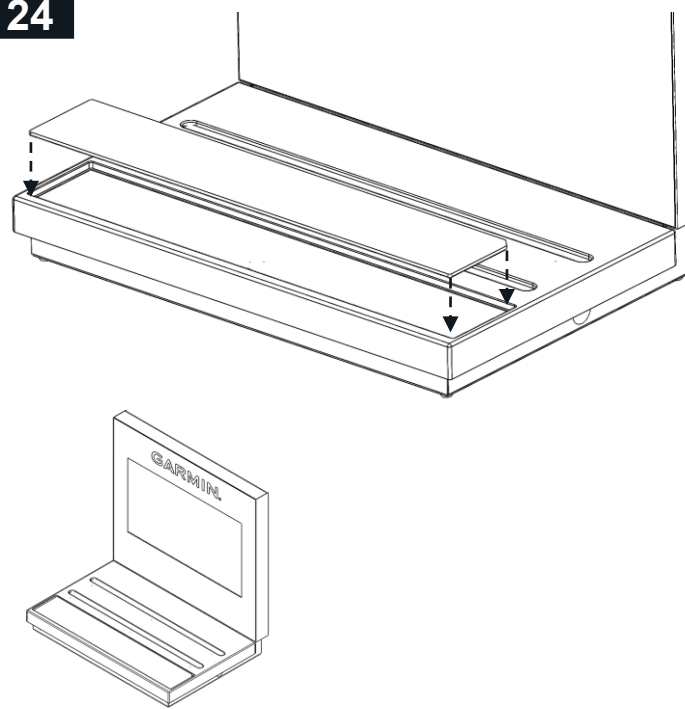
22



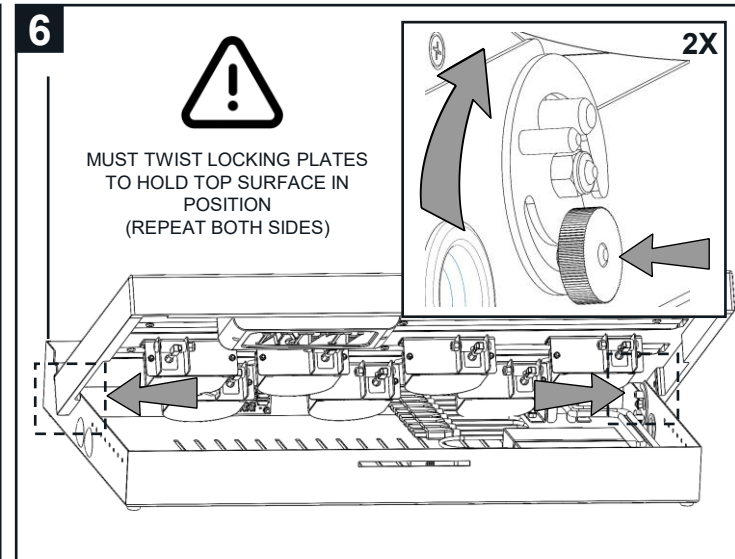
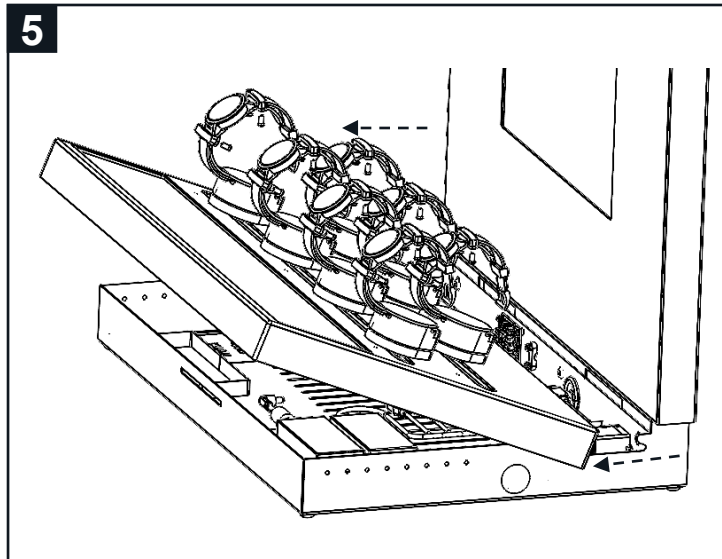
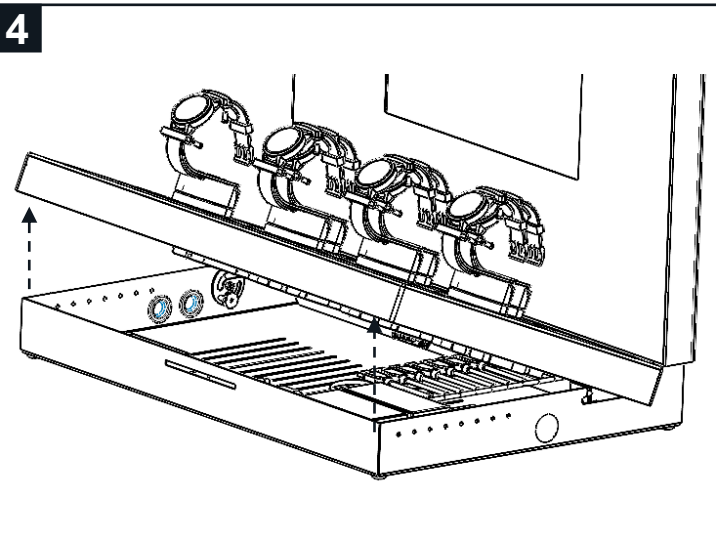
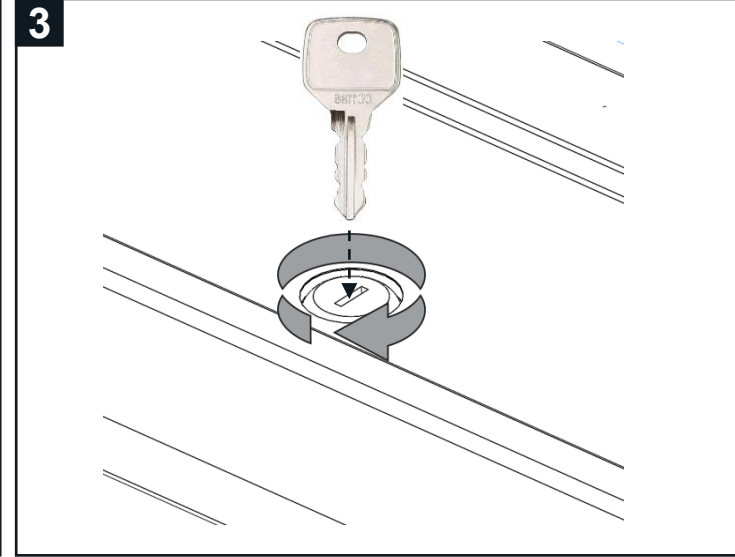
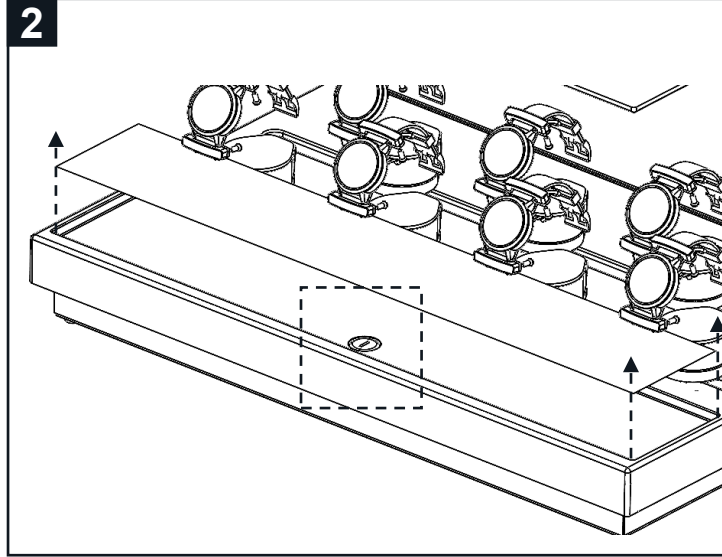
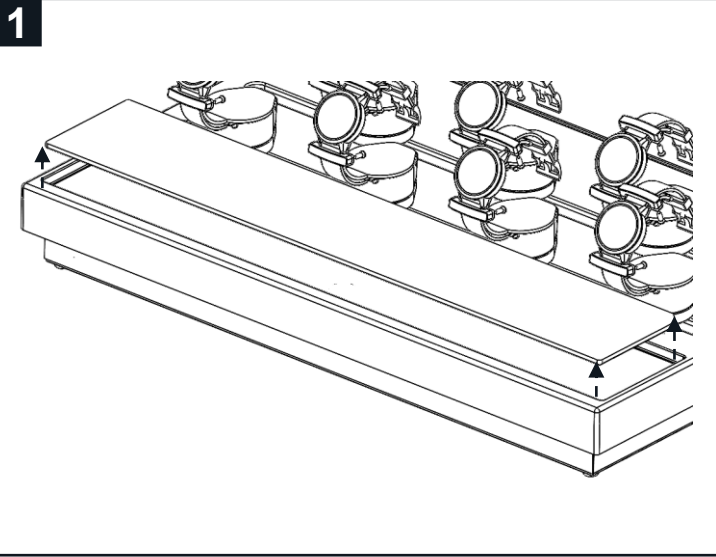
23



24



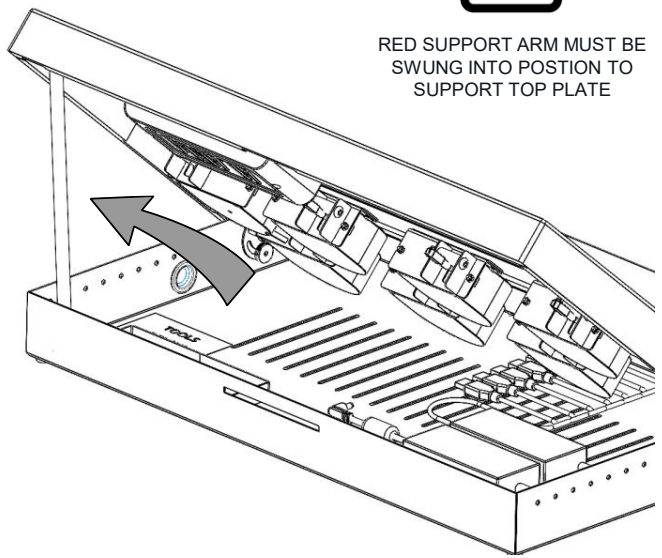
Fitting security to your CTU



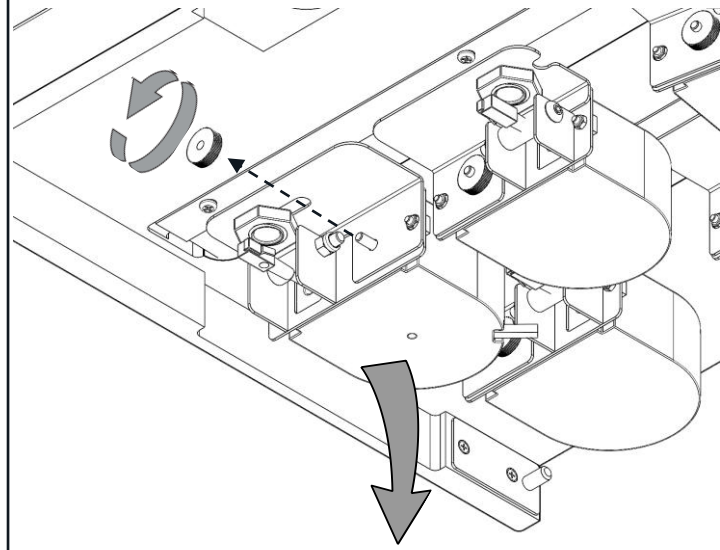
7



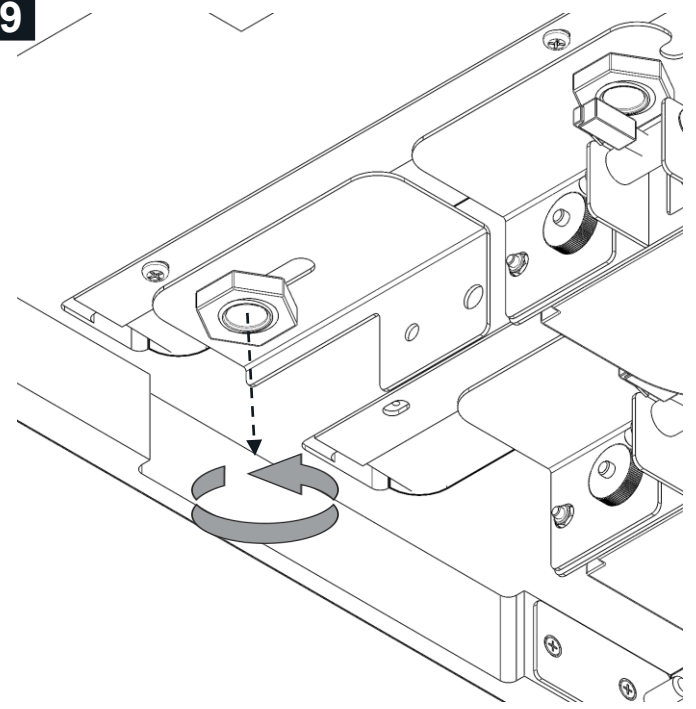
RED SUPPORT ARM MUST BE SWUNG INTO POSITION TO SUPPORT TOP PLATE



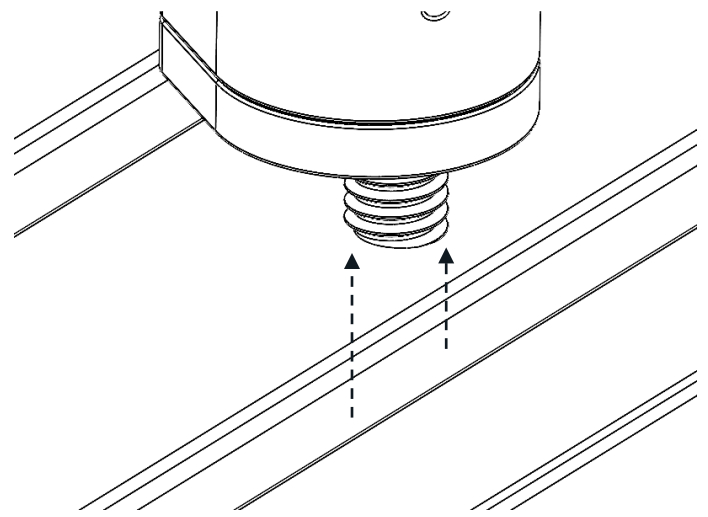
8



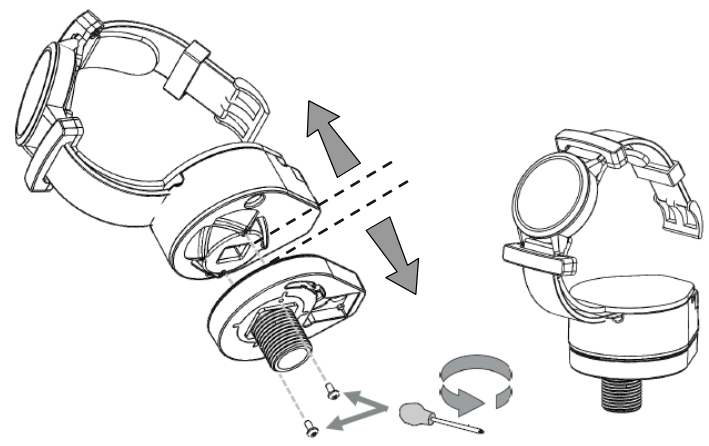
9



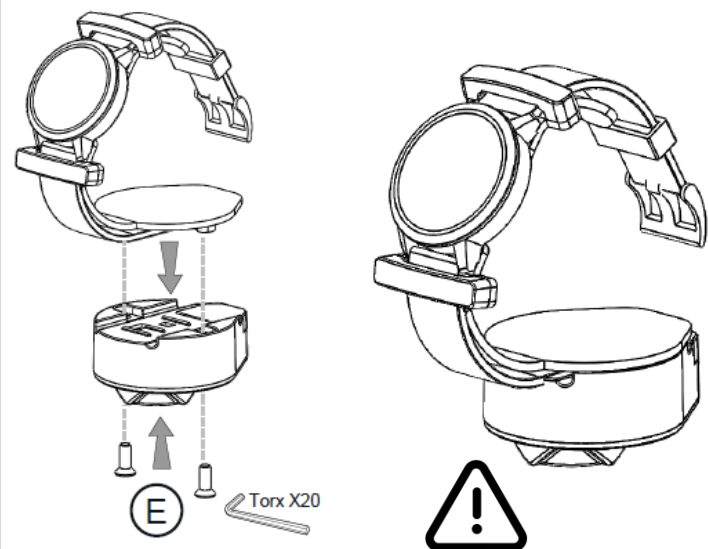
10



11

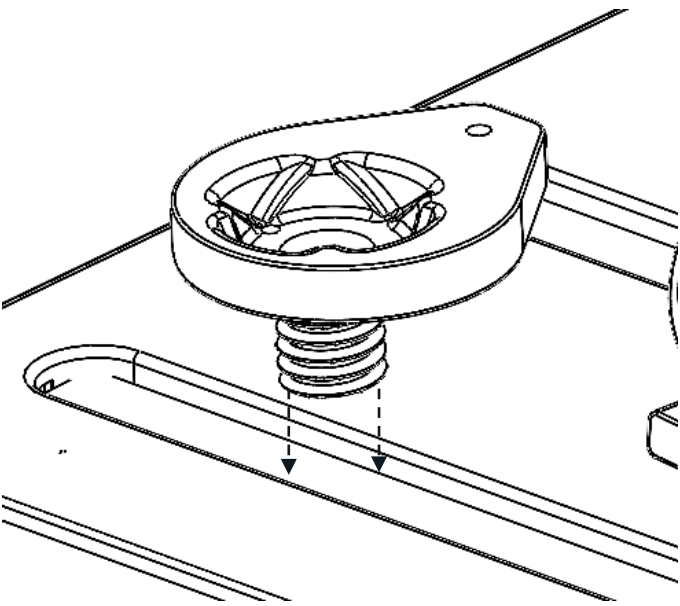


12

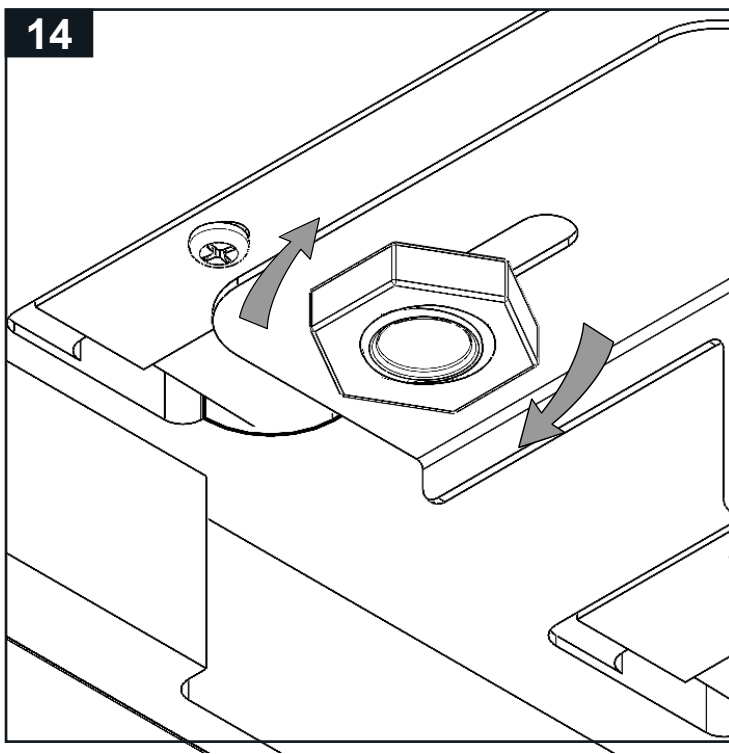


REMOVE EXISTING CRADLE FROM THE PLASTIC MOULDING SO THAT IT CAN BE REATTACHED TO GOLD POST IF REQUIRED

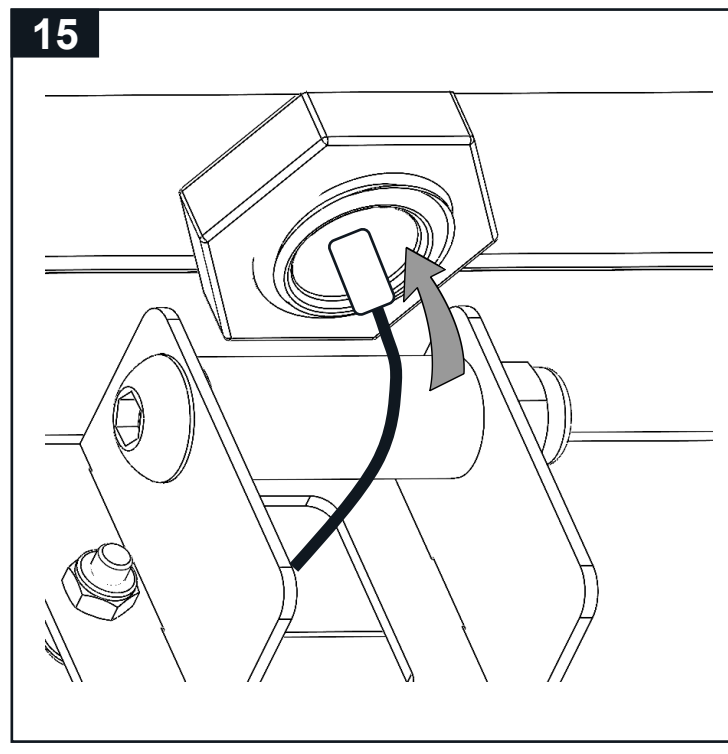
13



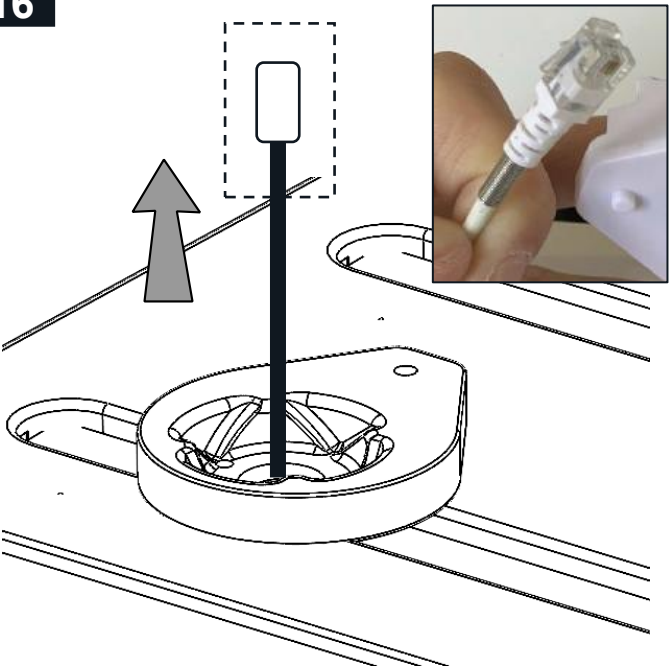
14



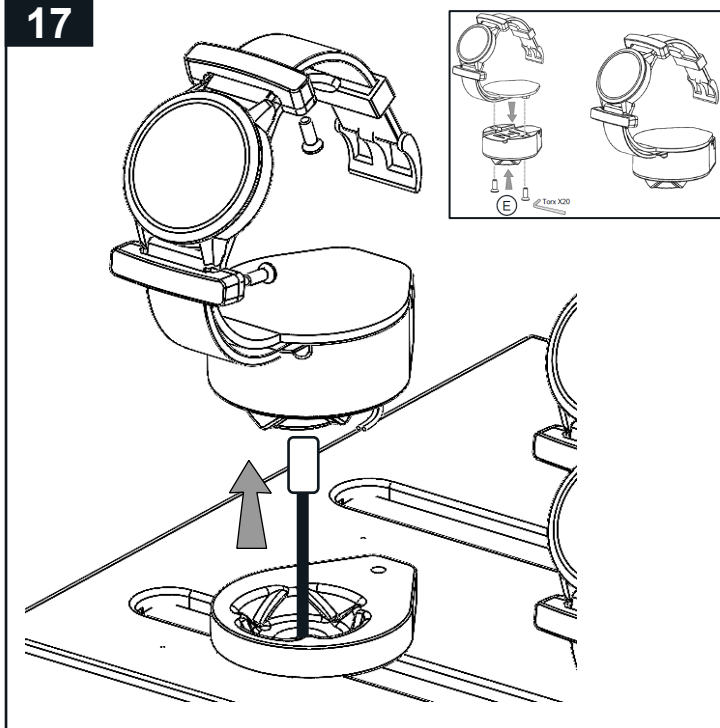
15



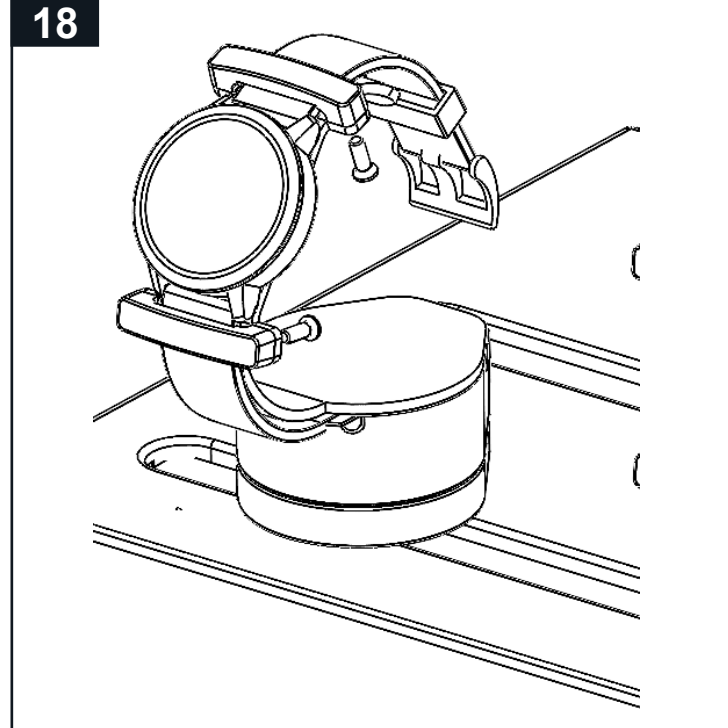
16



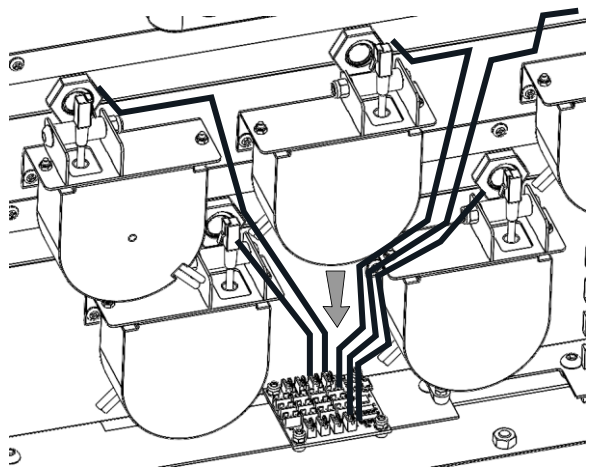
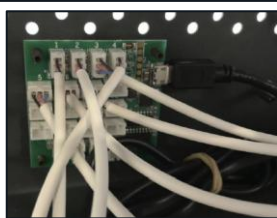
17



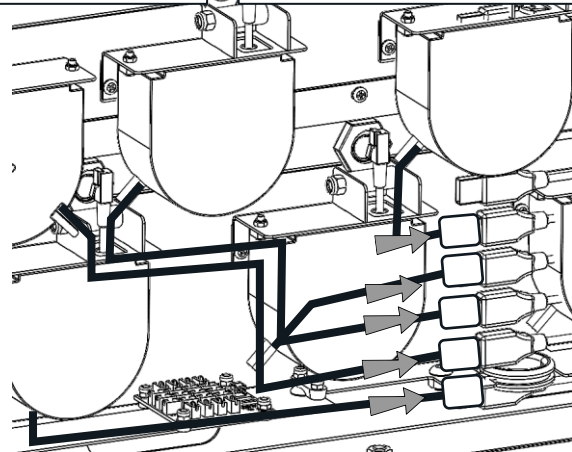
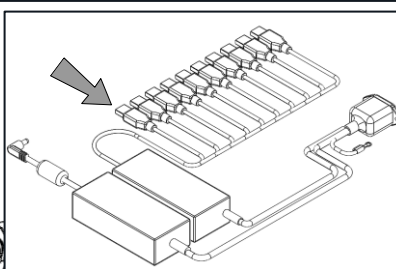
18



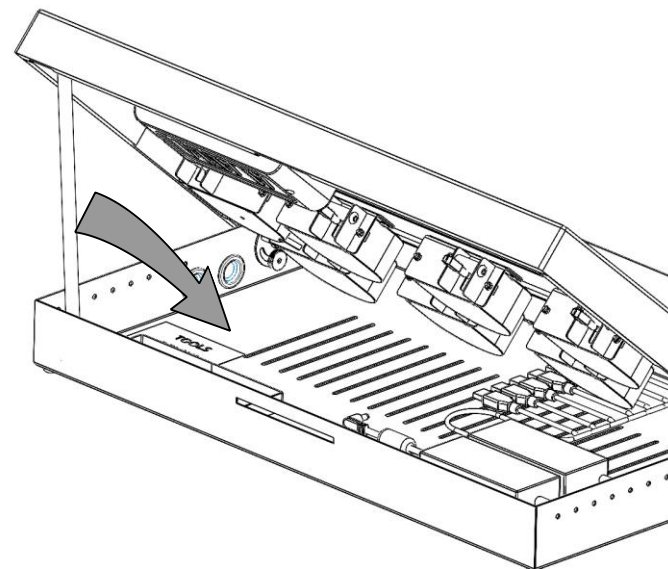
19



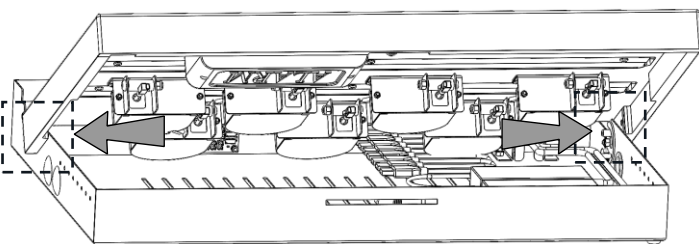
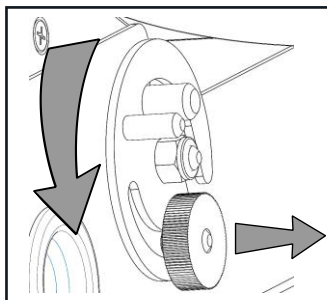
20



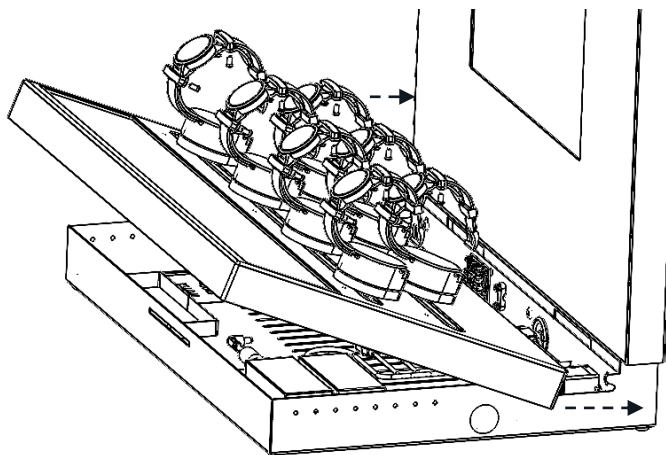
21



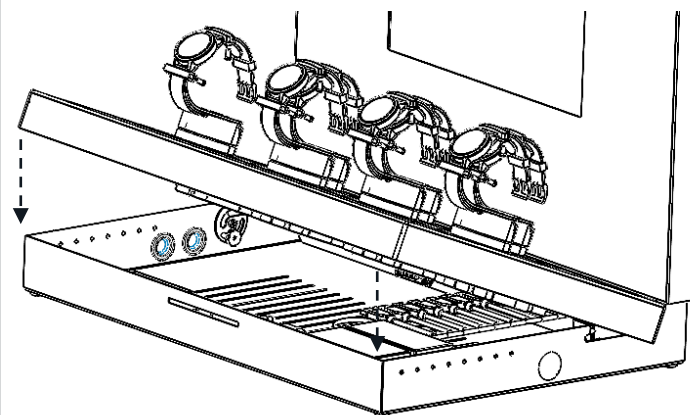
22



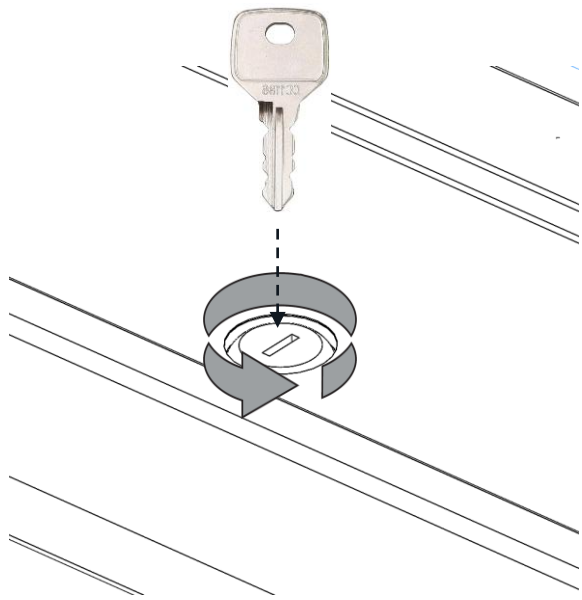
23



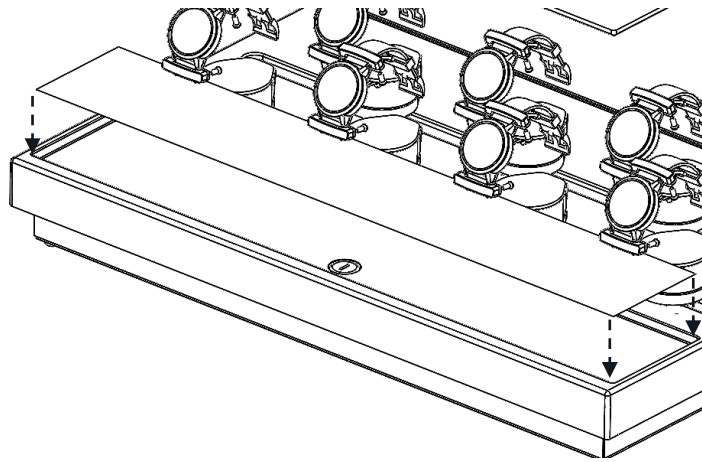
24



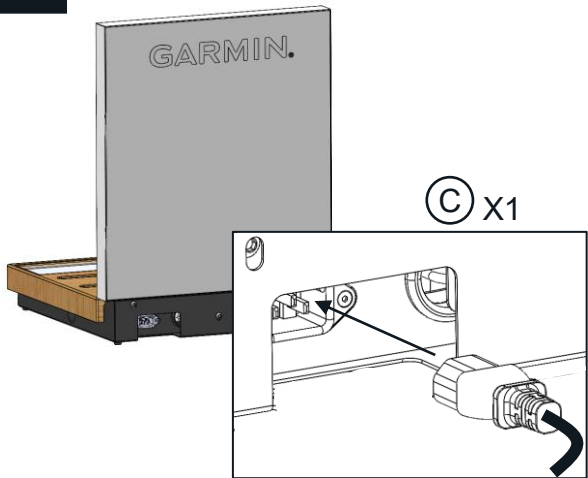
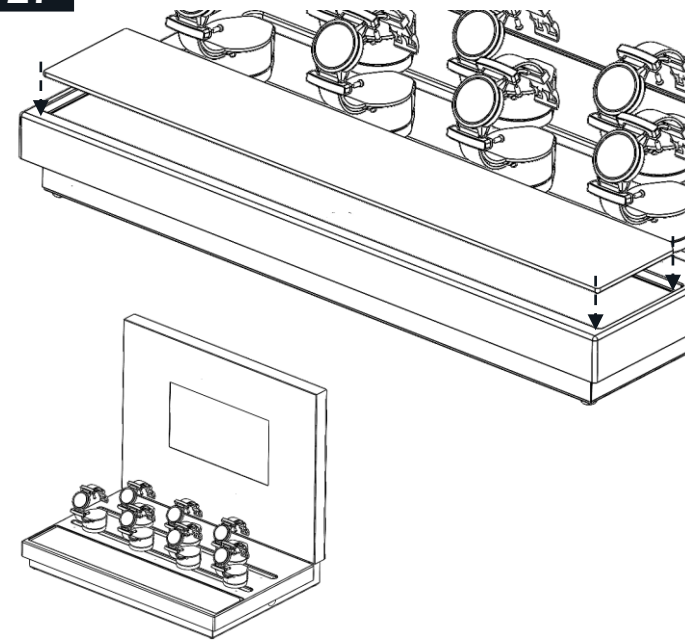
25



26

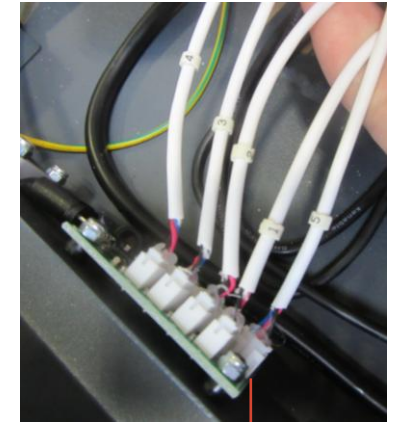
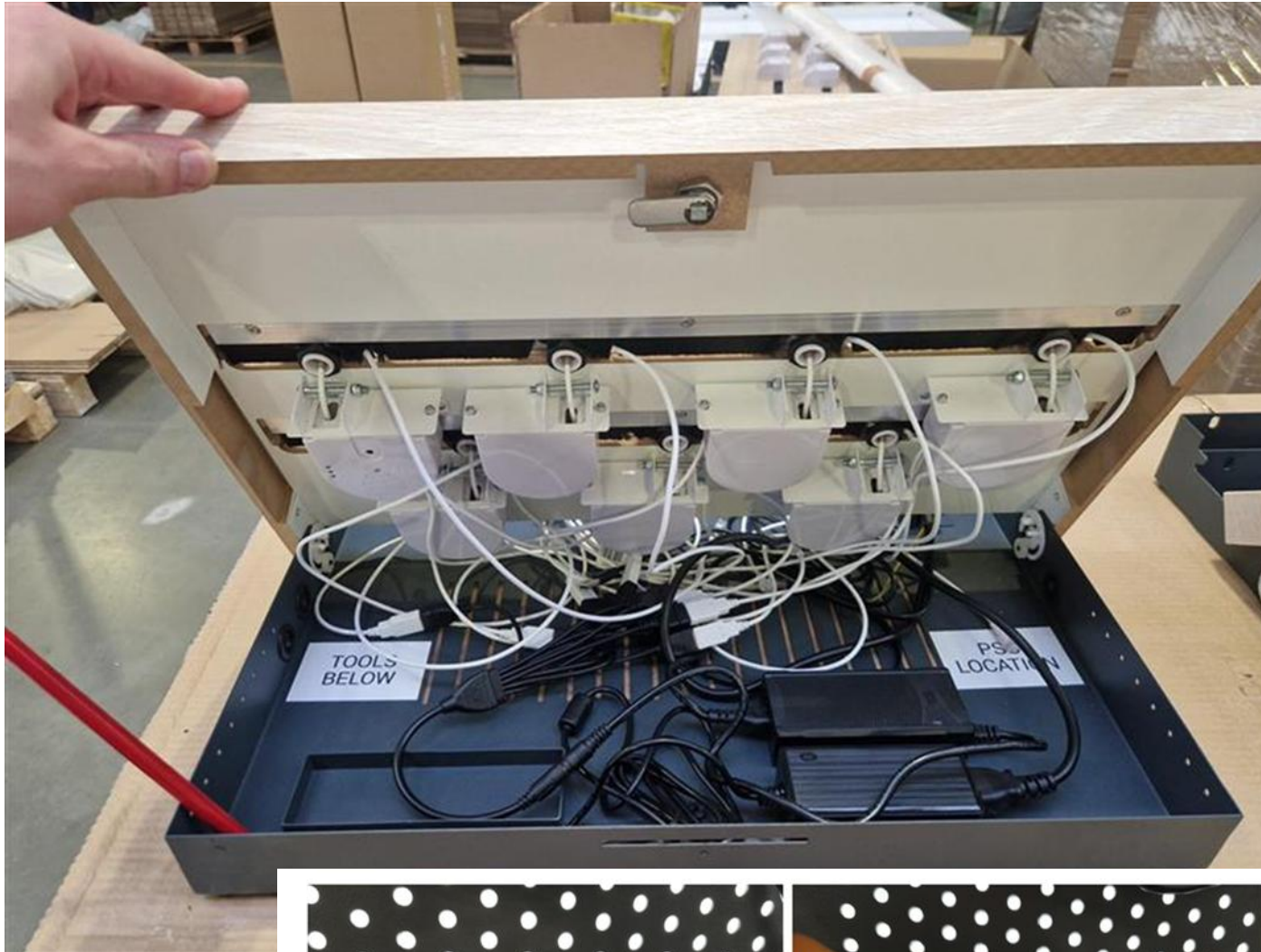


27

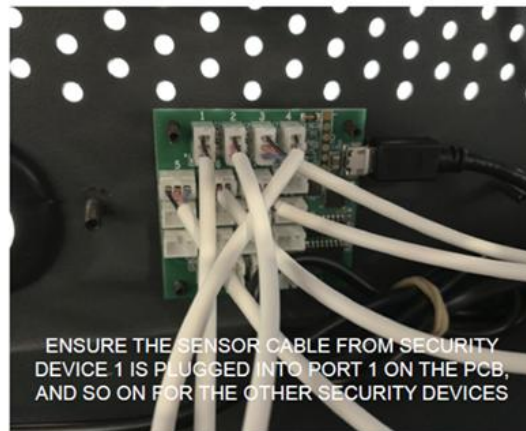


Gold Security
Lift and learn function
Power for live products with USB-C Charging
Positions 1-7





Lift and Learn cables
for PCB board
numbered 1-7



ENSURE THE SENSOR CABLE FROM SECURITY
DEVICE 1 IS PLUGGED INTO PORT 1 ON THE PCB,
AND SO ON FOR THE OTHER SECURITY DEVICES



IMPORTANT:
IF YOU NEED TO REMOVE A SENSOR CABLE
USE A PAIR OF LONG NOSE PLIERS.
DO NOT PULL ON THE CABLE

****IMPORTANT****

**Your displays come loaded with default video content, this is not lift and learn.
Lift and learn content must be loaded locally to match your store planogram.**

**This guide is for loading content when the screens are not connected to the internet
or our Connie content management platform**

Content Loading

1. Open the base of your unit & locate the content USB port.
2. Ensure display is turned on and the screen is working.
3. Insert USB stick into USB port



Insert USB into port inside base of unit or side of screen

To set-up content for your screen please refer to the following guide on the Garmin Portal

[New Garmin Offline Experiences App v1 – New Device Setup – Garmin](#)

Content Test

Check everything has been loaded correctly

1. Reboot the screen by un-plugging at the mains , check the app loads and idle video plays
2. Lift one product, check the content changes to correctly match the product lifted
3. Repeat with all products
4. Lift two products check the correct compare images display
5. Repeat with all products
6. Reboot display again by un-plugging at the mains, allow to re-boot and then process is complete

