

**GARMIN**

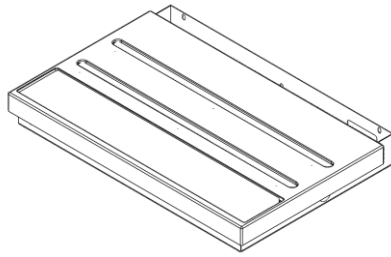
CORPORATE DISPLAY  
P12674 | 23/02/2026  
600 CTU + 21" SCREEN  
HEADER + PLATIUM

**TOOLS REQUIRED - SUPPLIED**

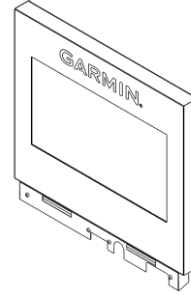


**Parts**

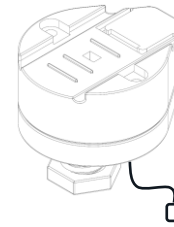
(A) X1  
600MM



(B) X1  
600MM



(B) X7  
**PLATIUM**  
SECURITY  
POSTS  
(PRE-FITTED)



(C) X1



(E) X5  
M6X8MM  
SCREW

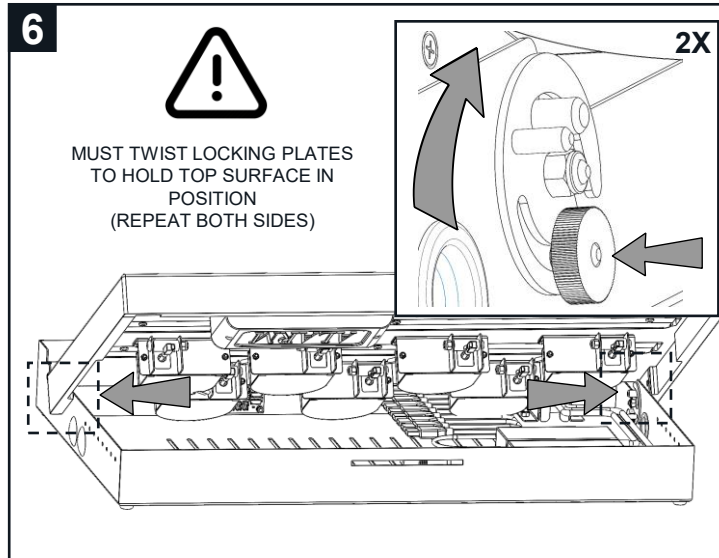
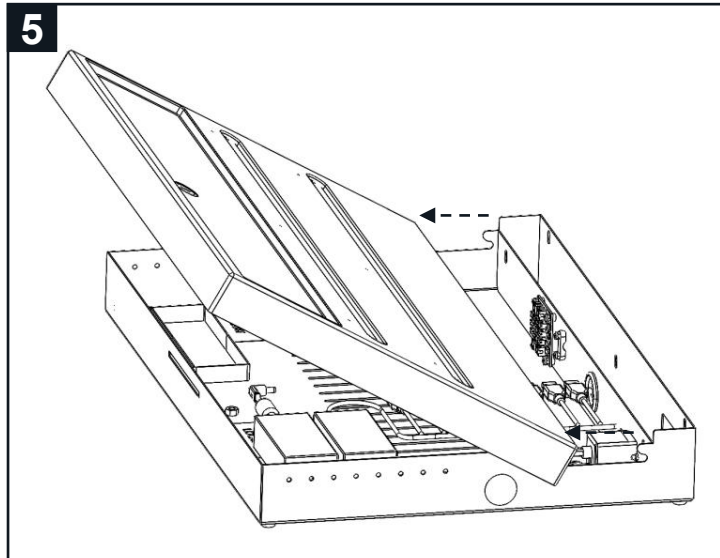
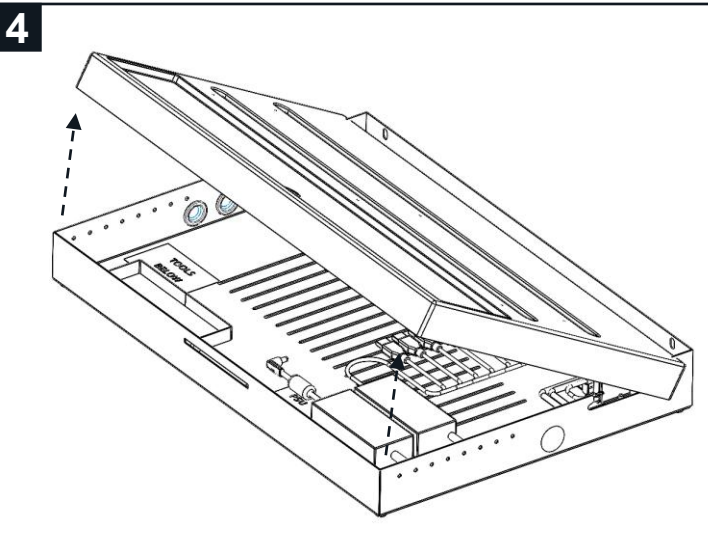
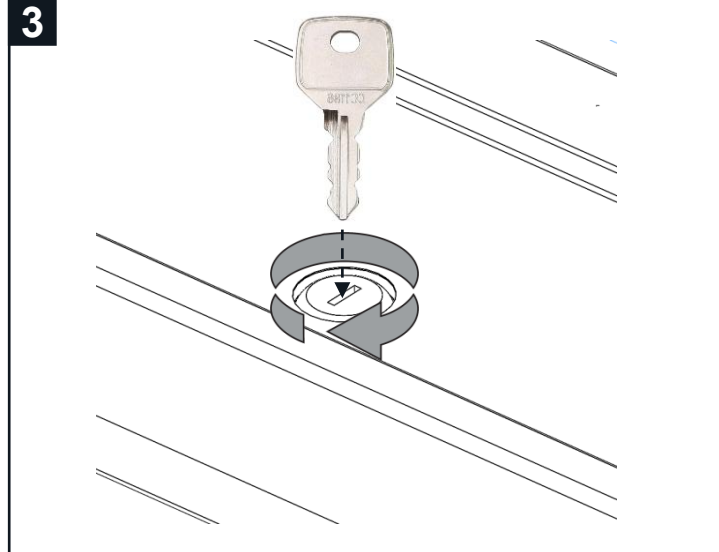
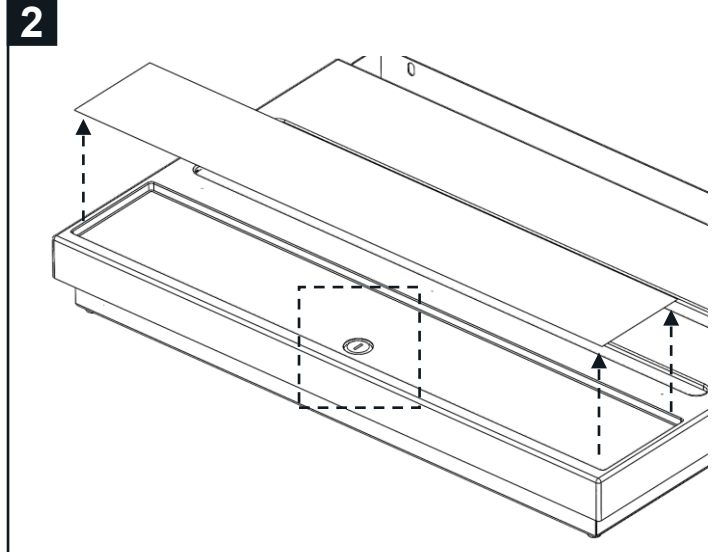
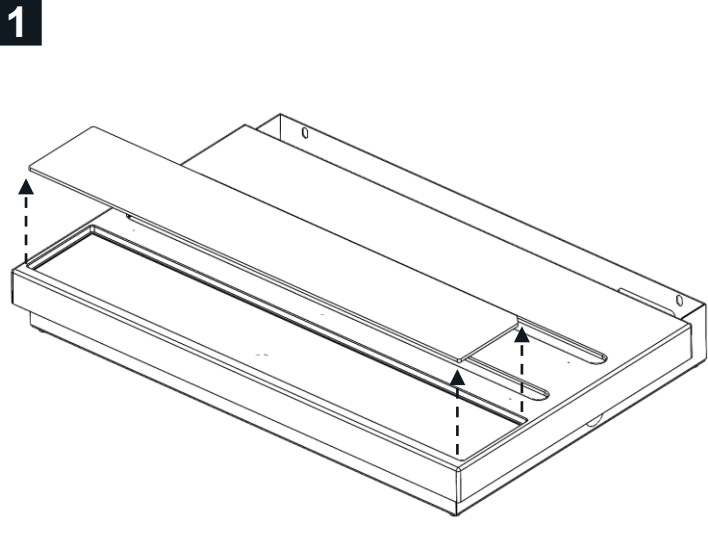


(F) X1

Remote Control (to work with  
Access Control Remote Module)



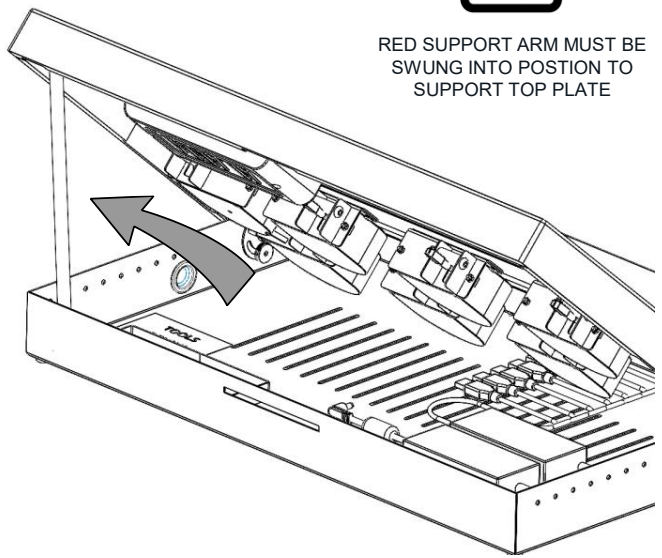
AS33X



7

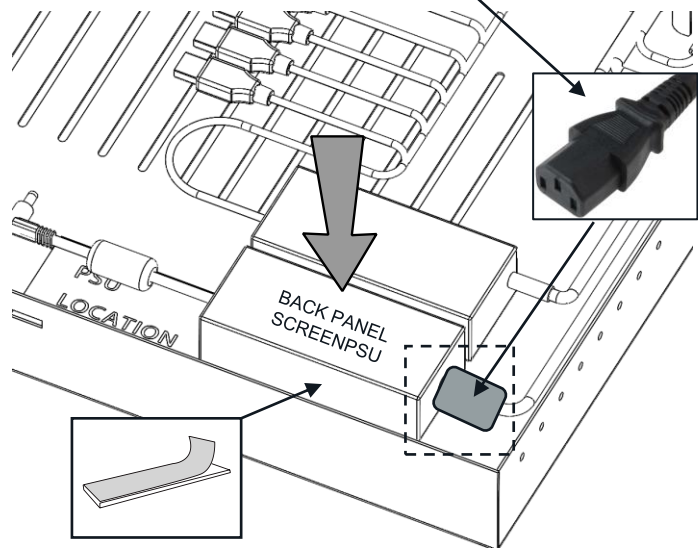


RED SUPPORT ARM MUST BE SWUNG INTO POSITION TO SUPPORT TOP PLATE

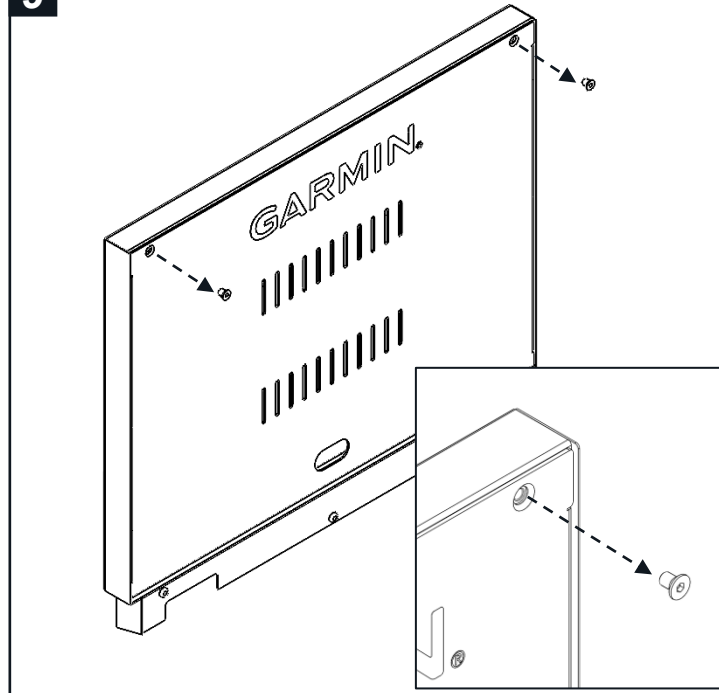


8

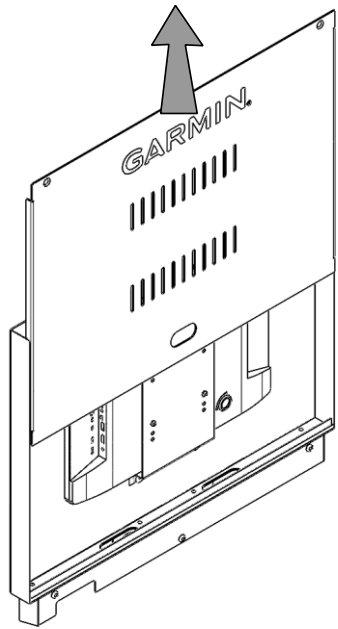
IEC PLUG COMING FROM MAIN POWER LOOM ON CTU SECTION



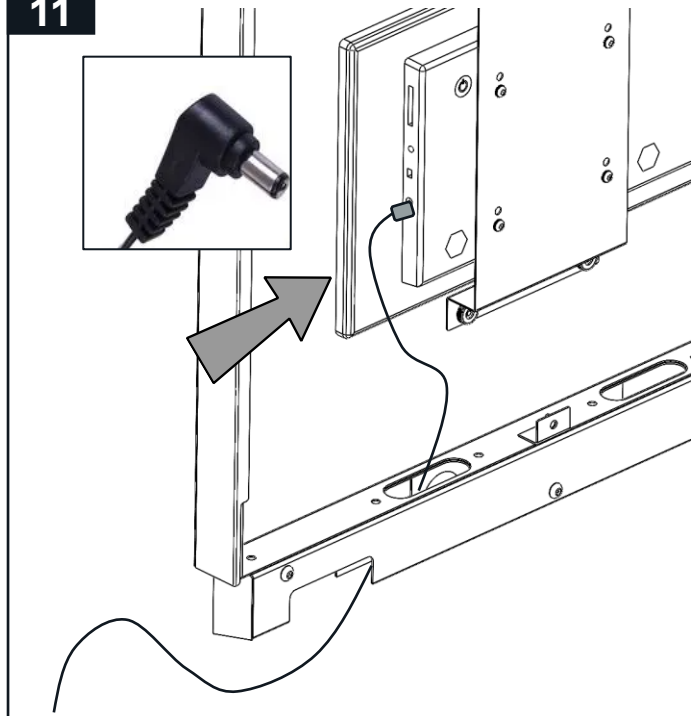
9



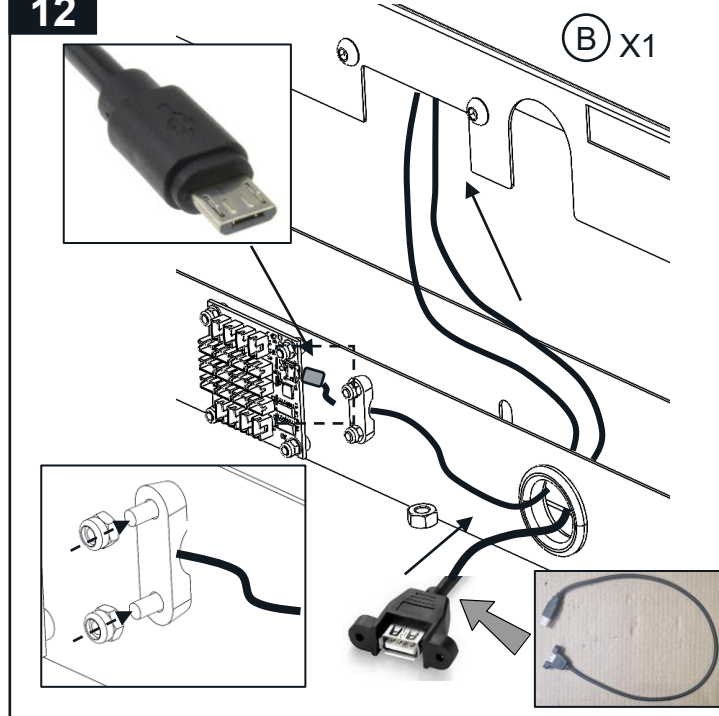
10



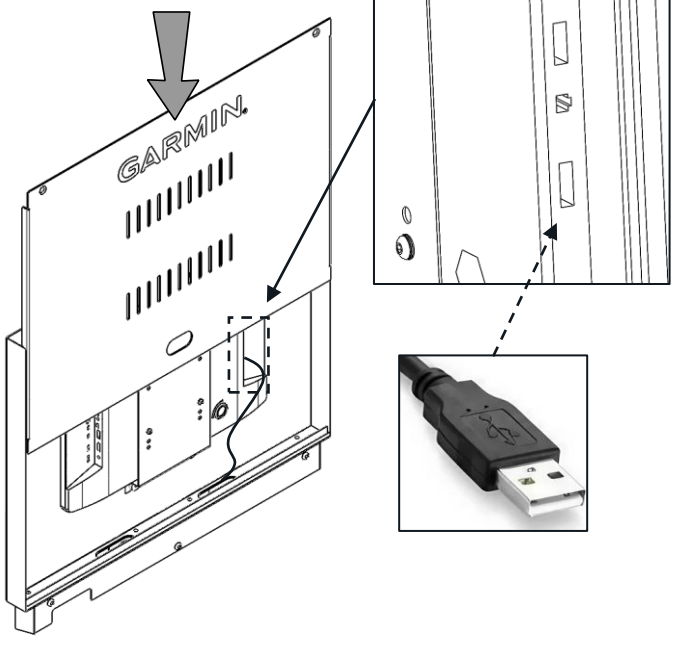
11



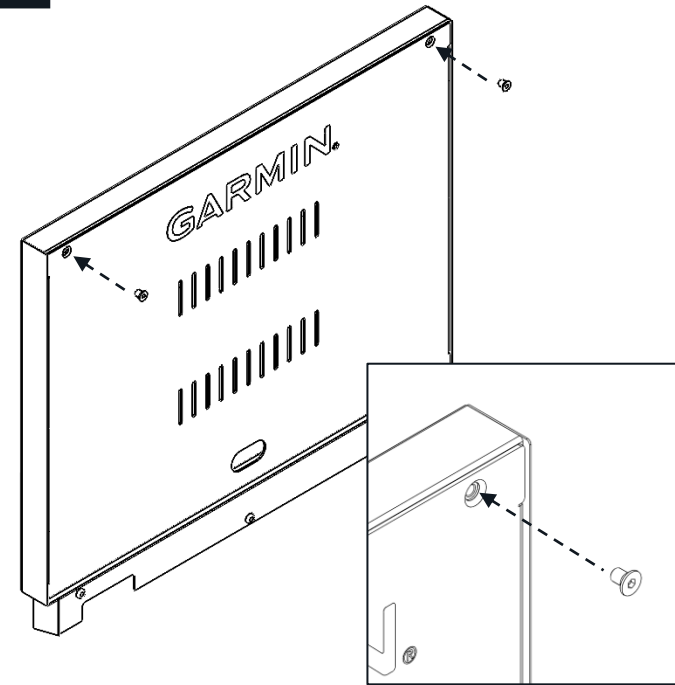
12



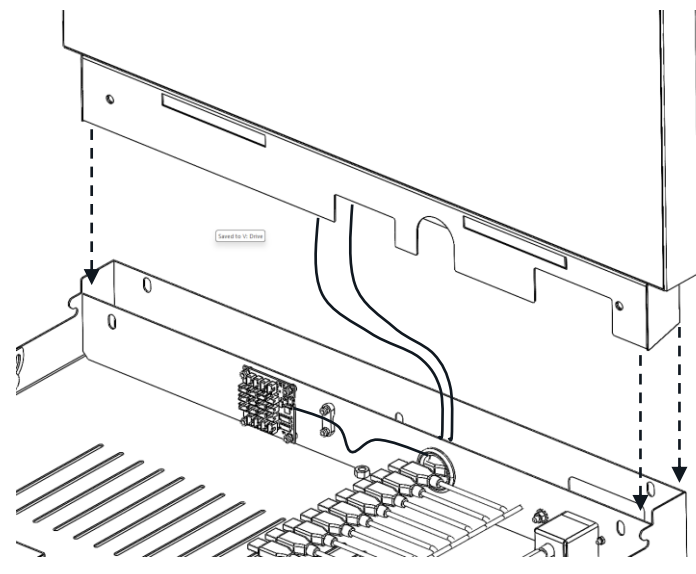
13



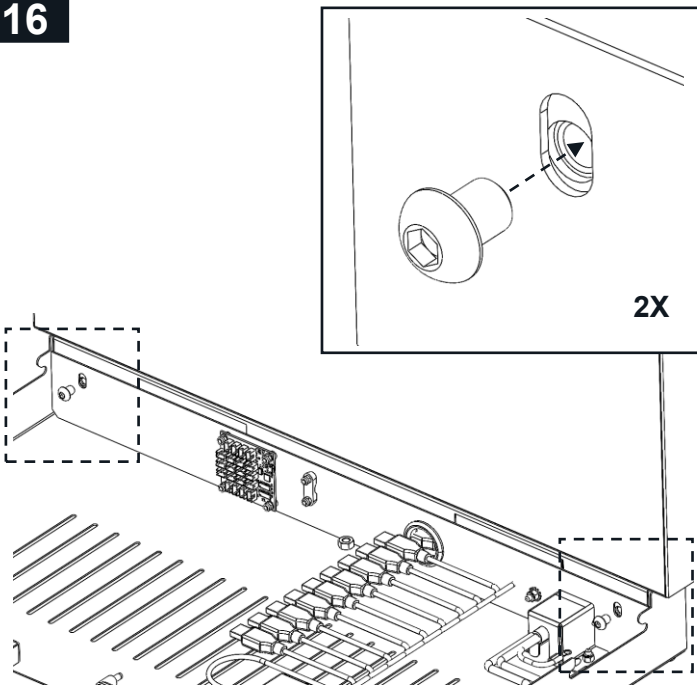
14



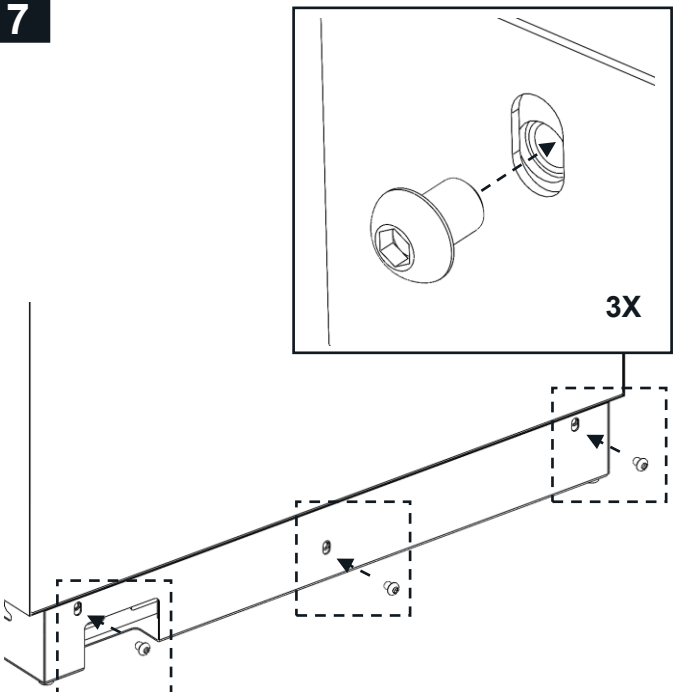
15



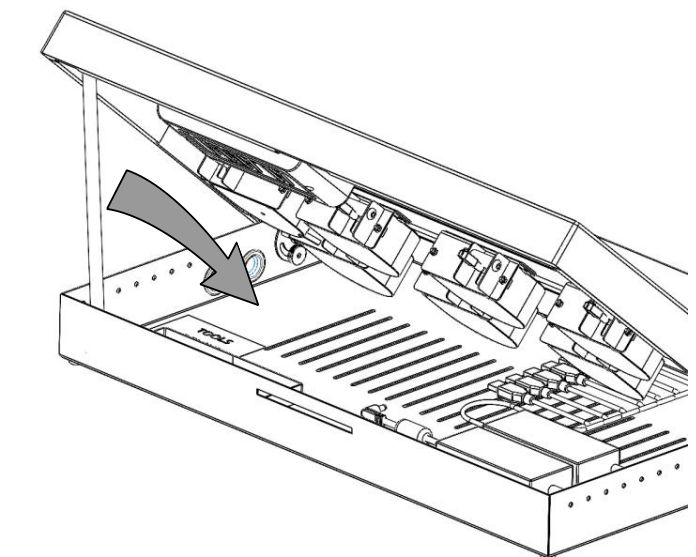
16



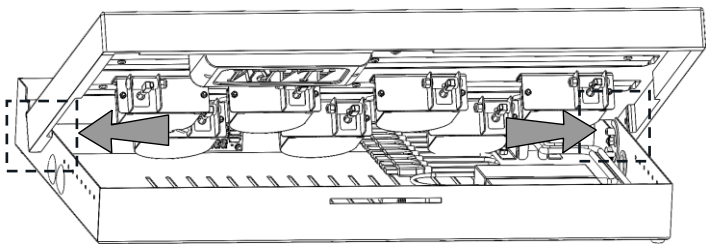
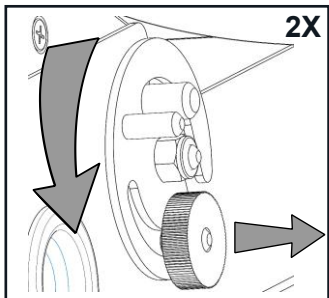
17



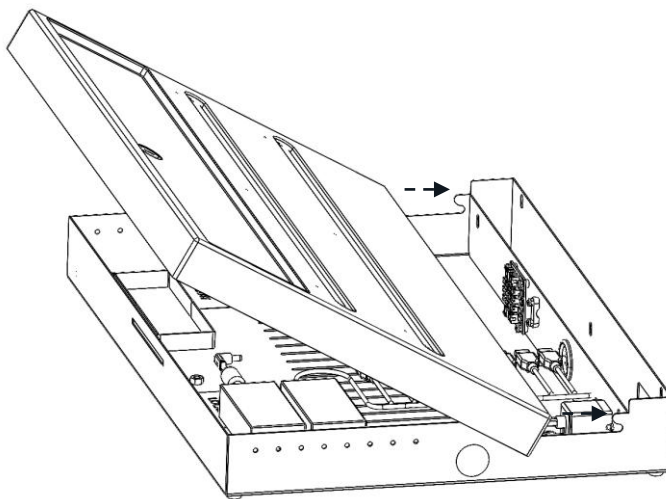
18



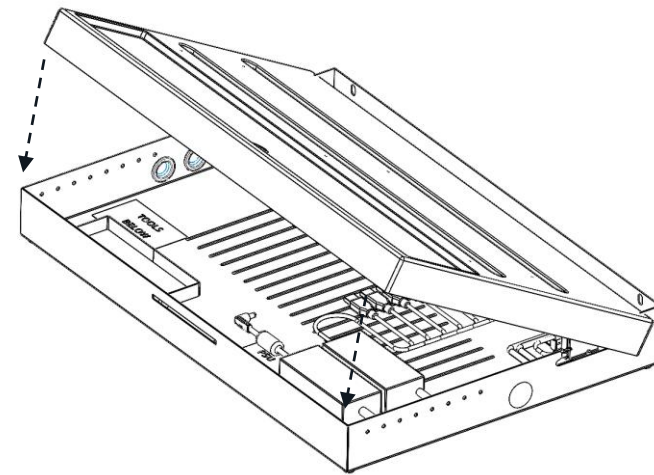
19



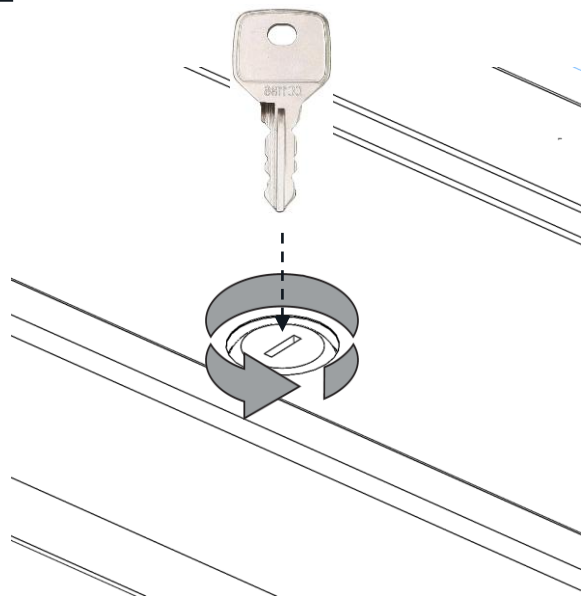
20



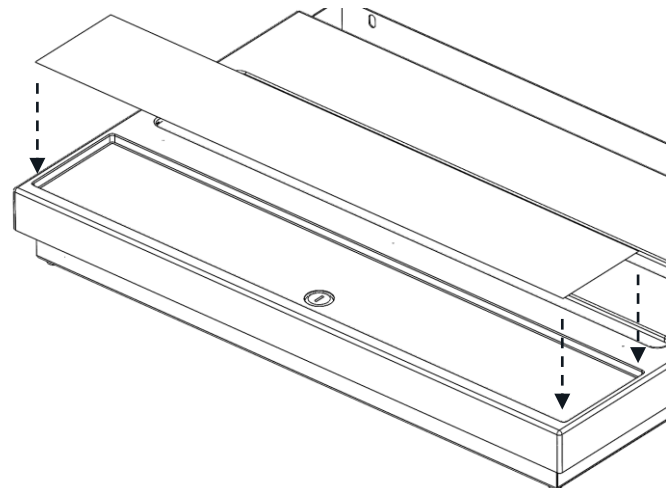
21



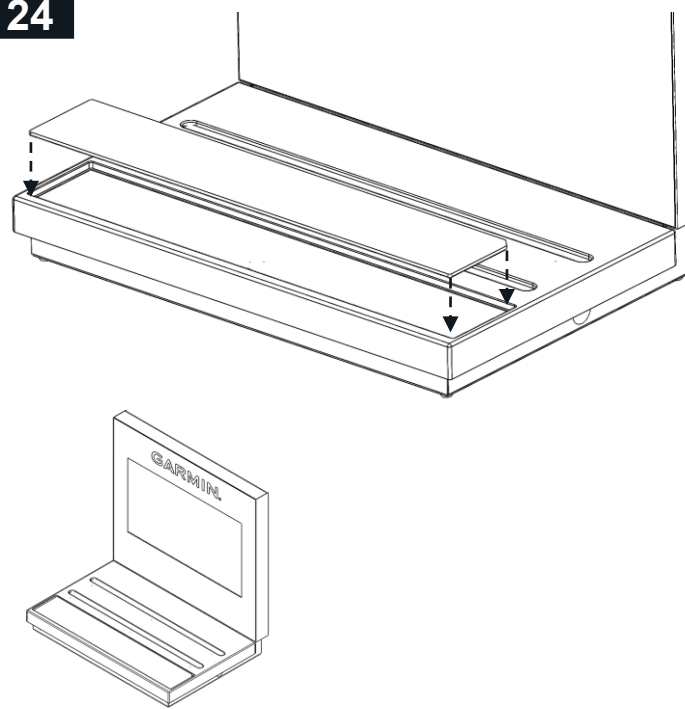
22



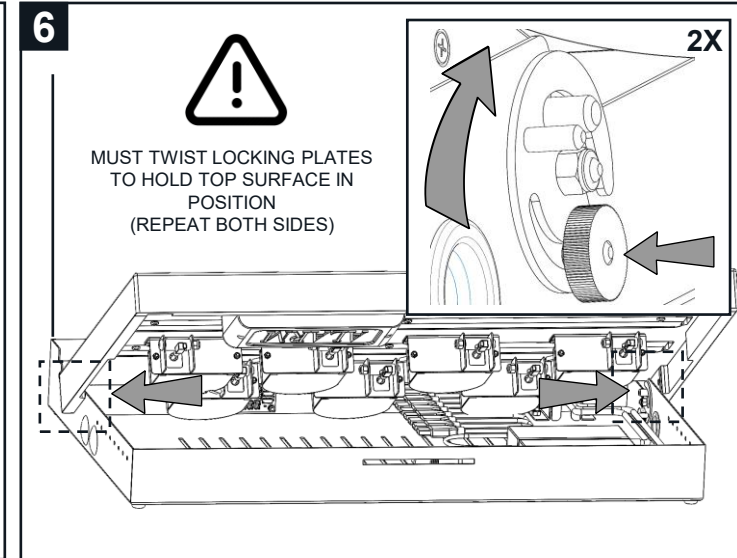
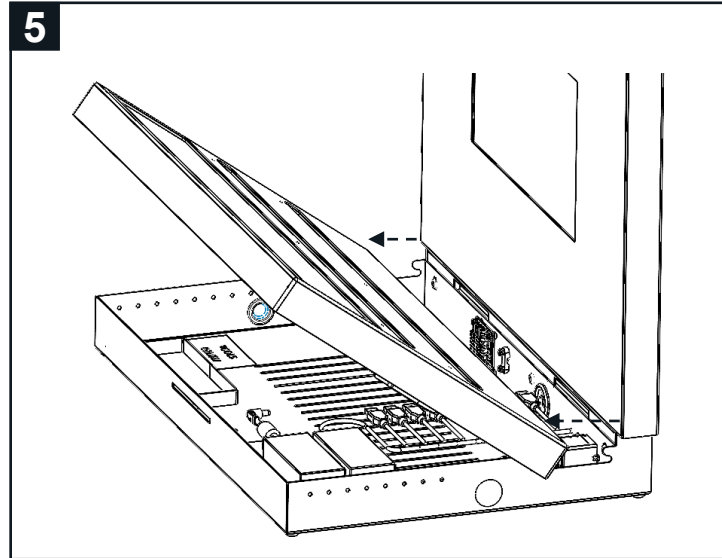
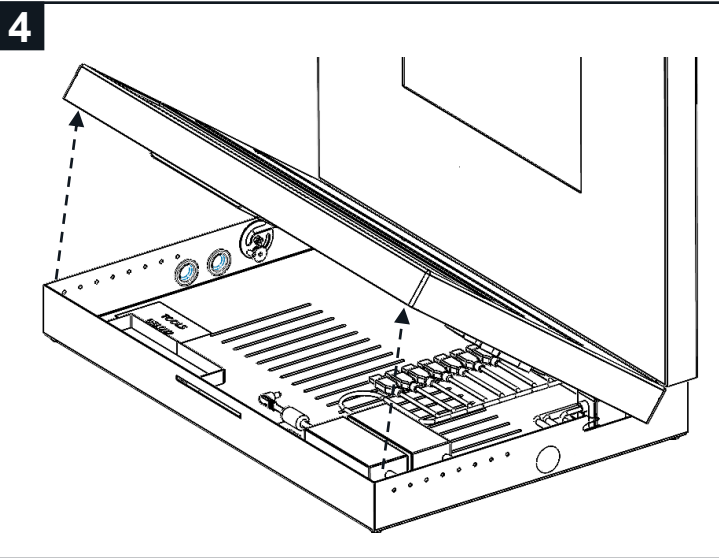
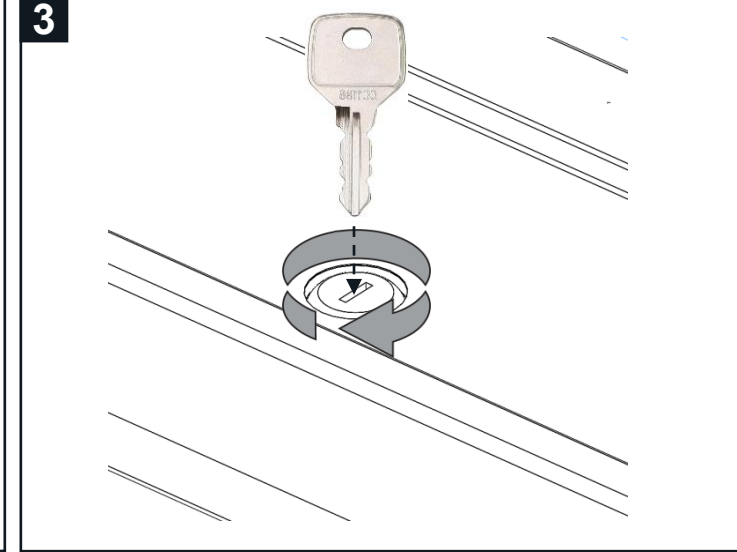
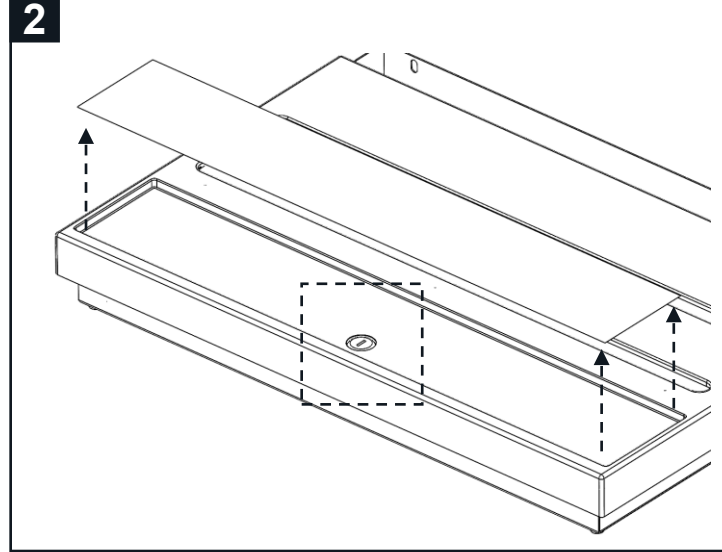
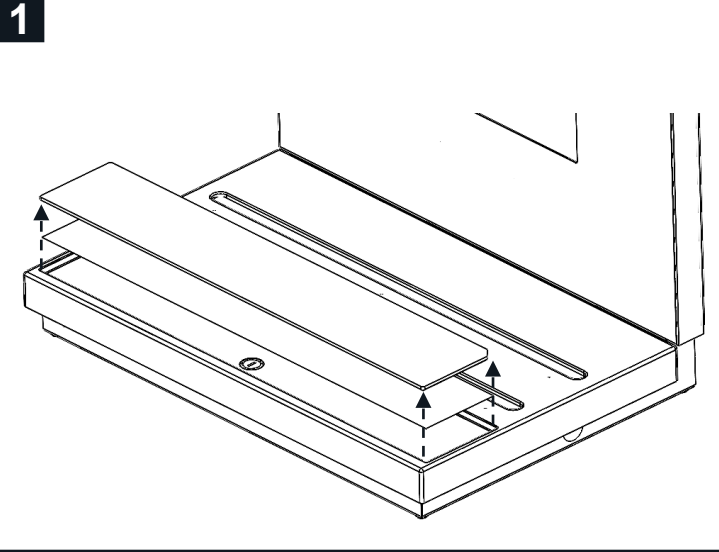
23



24



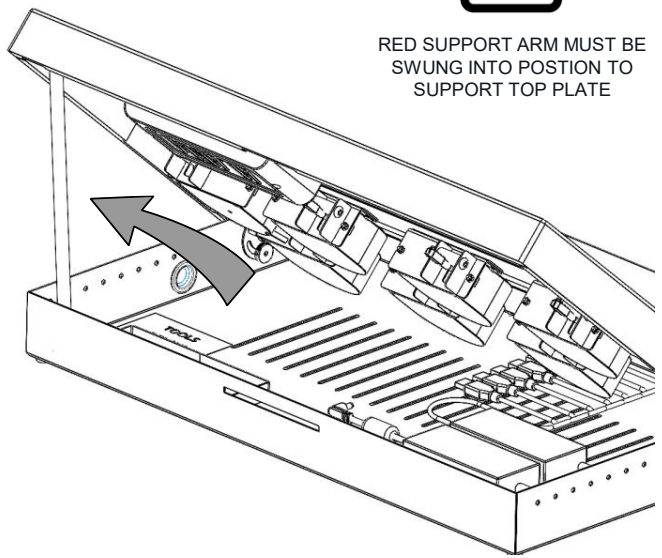
# Fitting security to your CTU



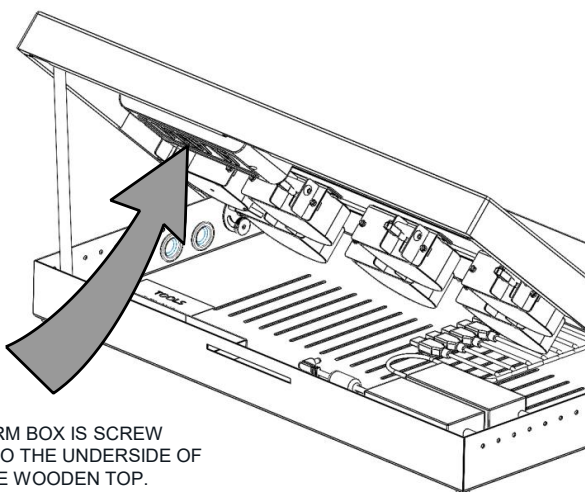
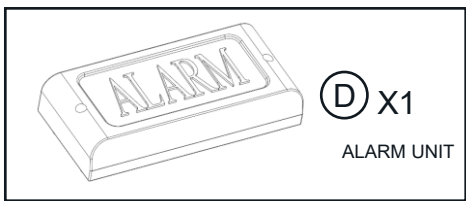
7



RED SUPPORT ARM MUST BE SWUNG INTO POSITION TO SUPPORT TOP PLATE

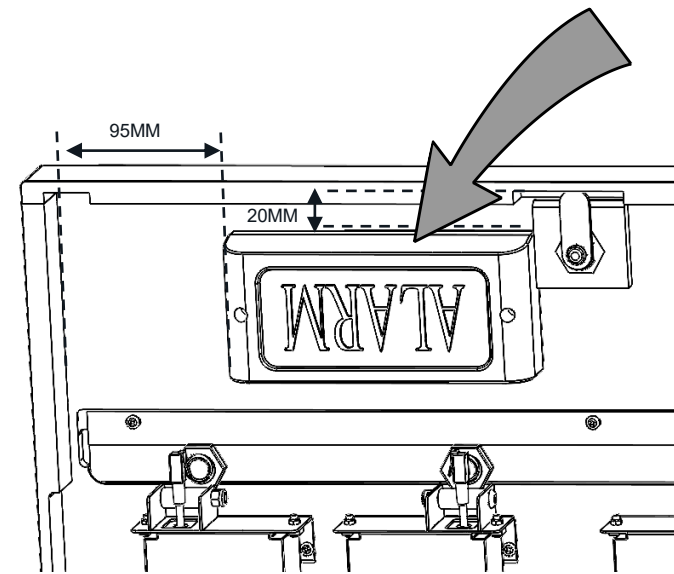


8

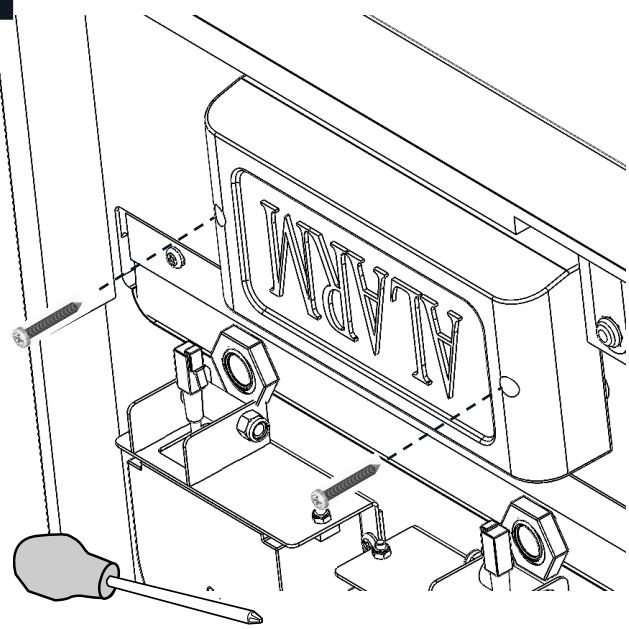


ALARM BOX IS SCREW FITTED TO THE UNDERSIDE OF THE WOODEN TOP.

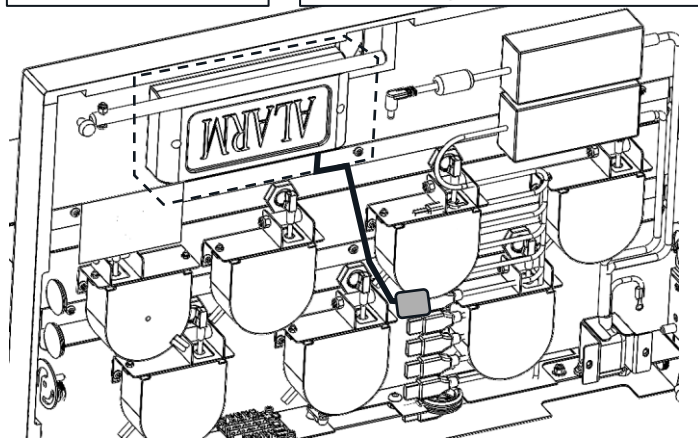
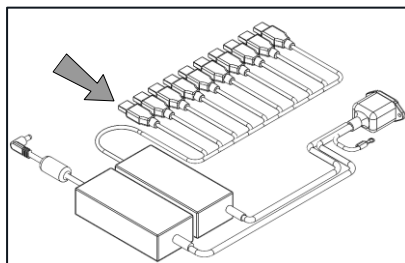
9



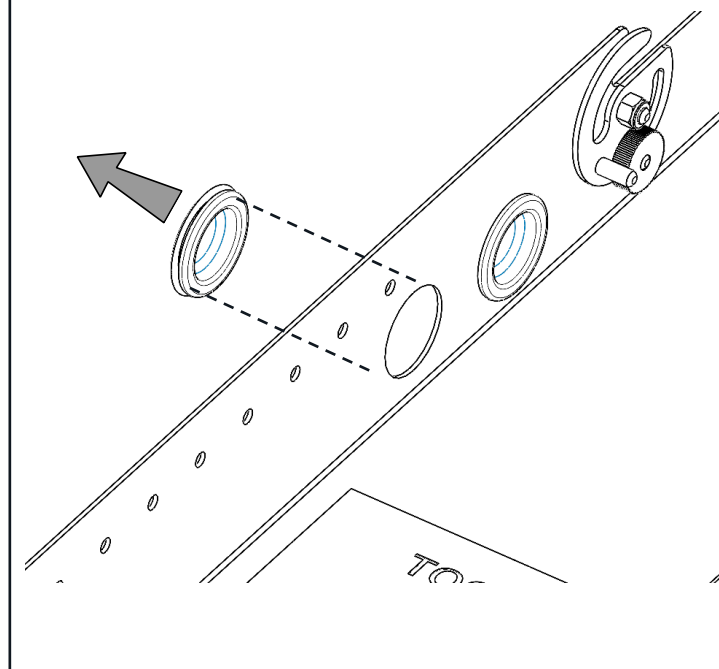
10



11



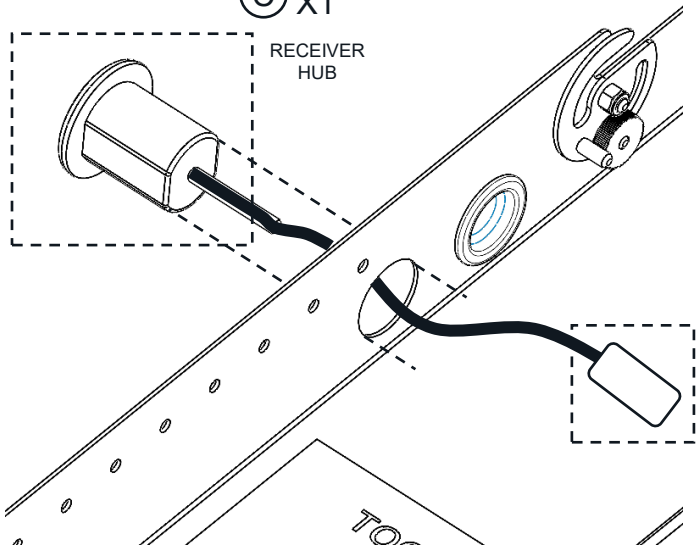
12



13

Ⓒ X1

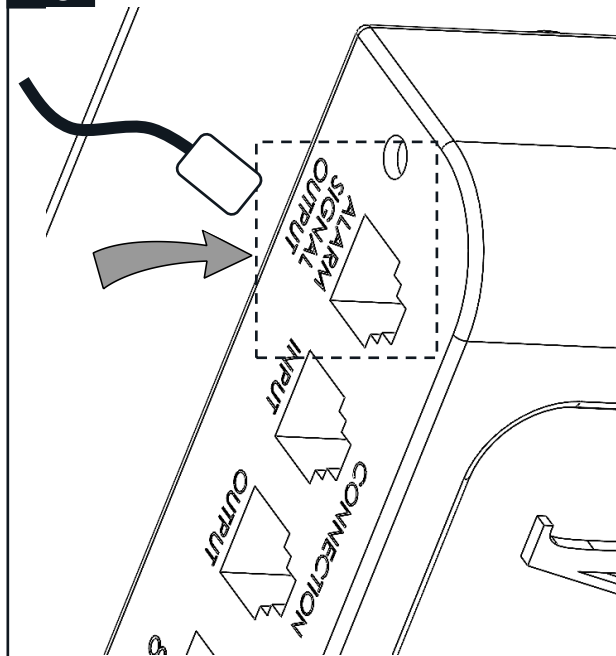
RECEIVER HUB



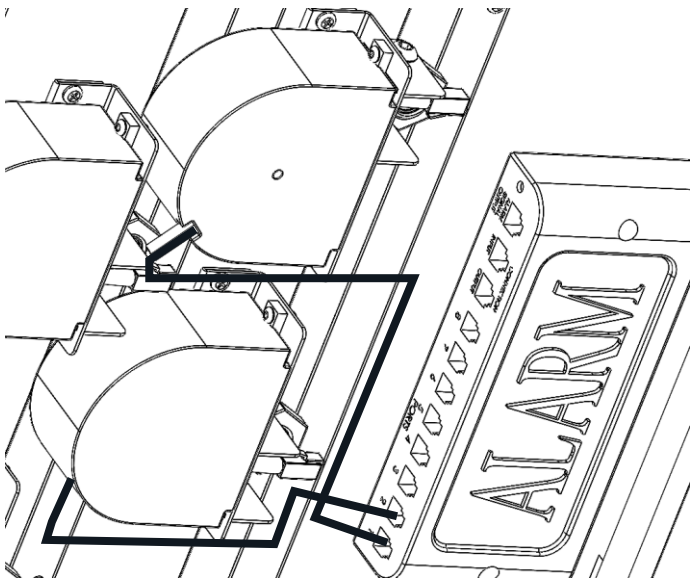
14



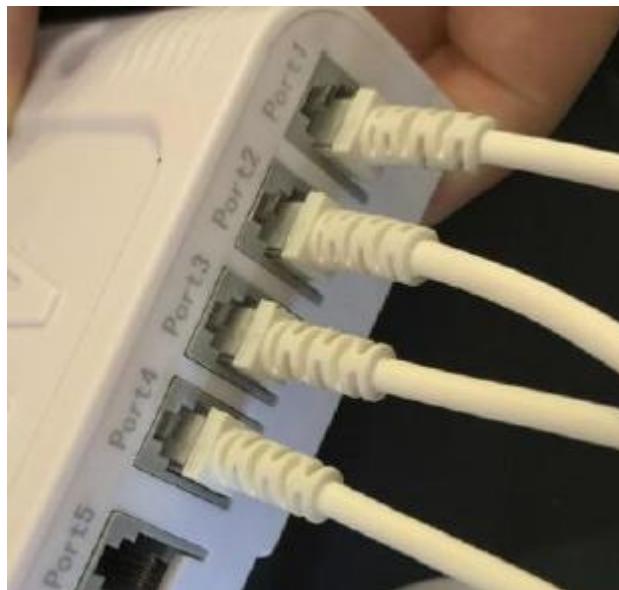
15



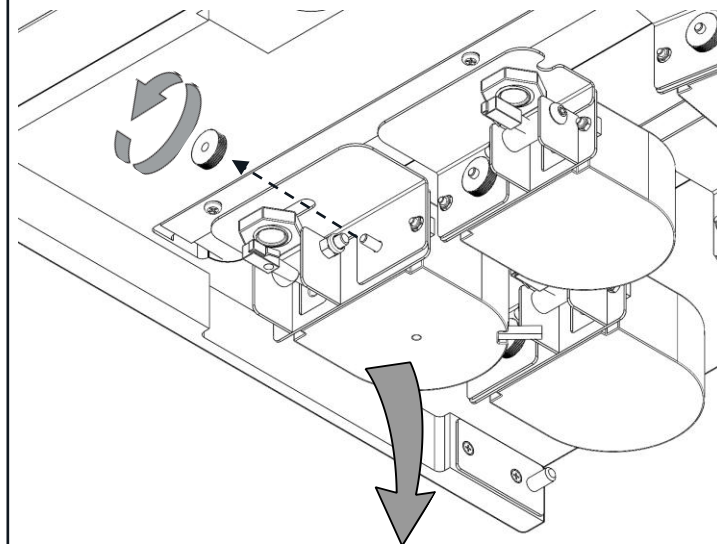
16



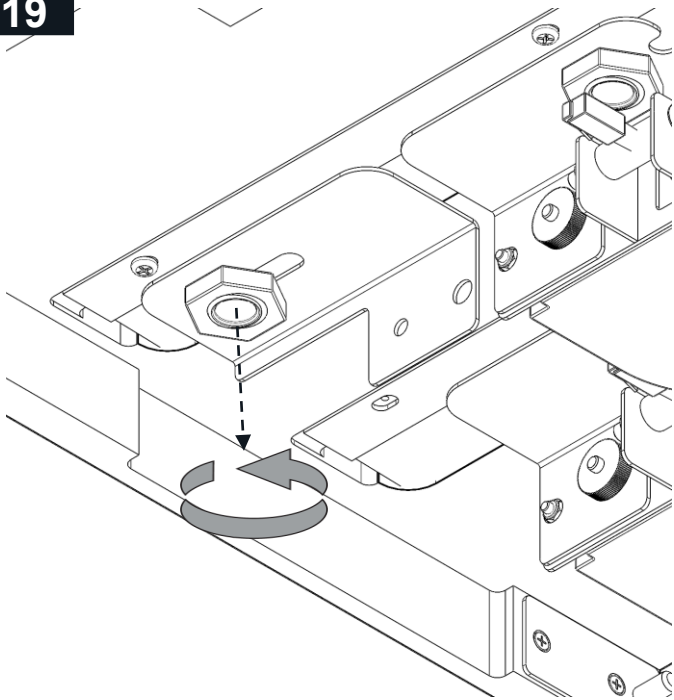
17



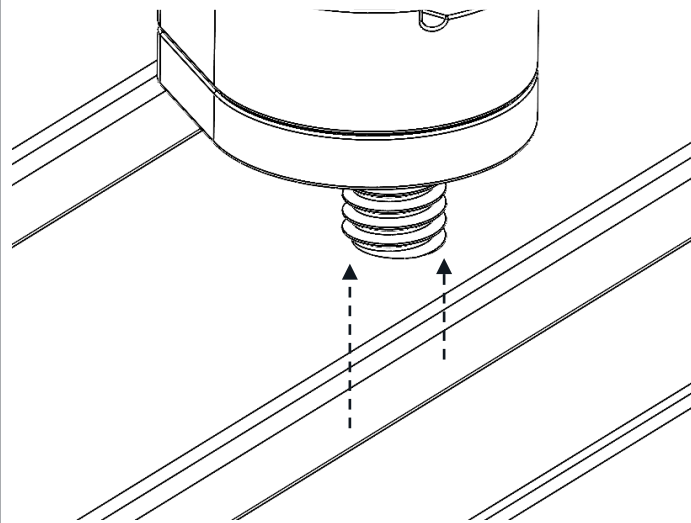
18



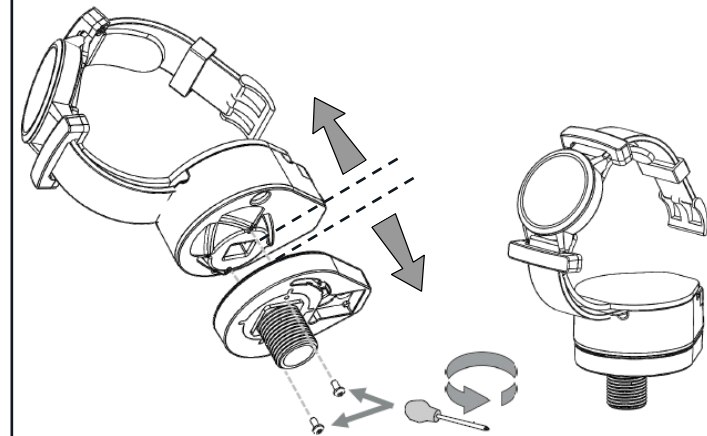
19



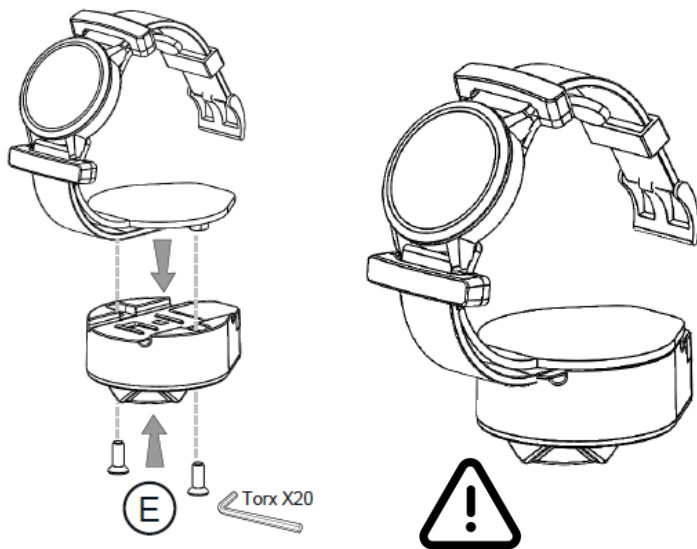
20



21

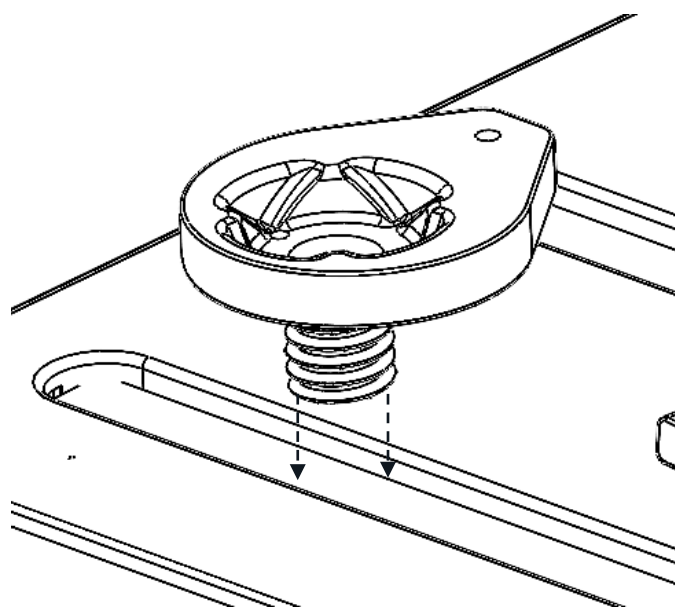


22

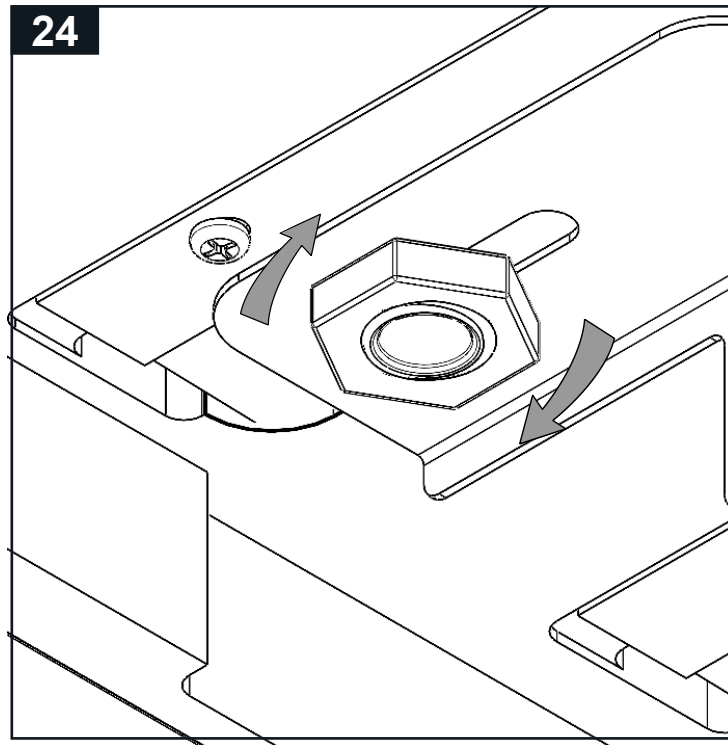


REMOVE EXISTING CRADLE FROM THE PLASTIC MOULDING SO THAT IT CAN BE REATTACHED TO GOLD POST IF REQUIRED

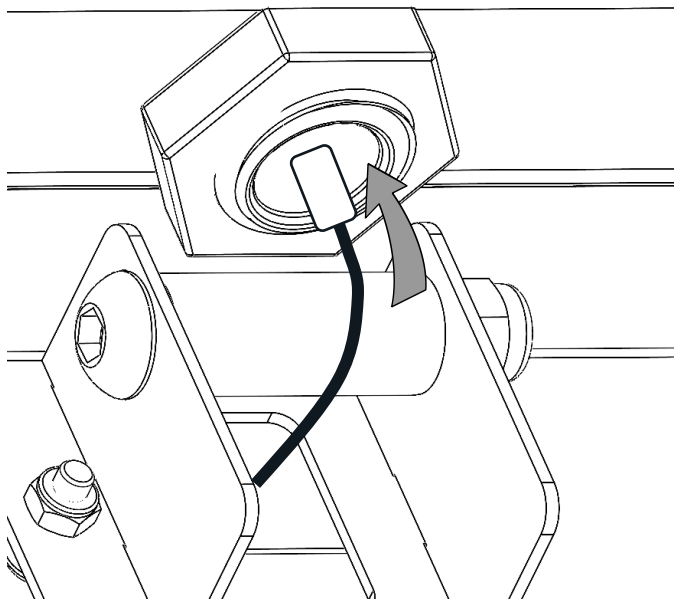
23



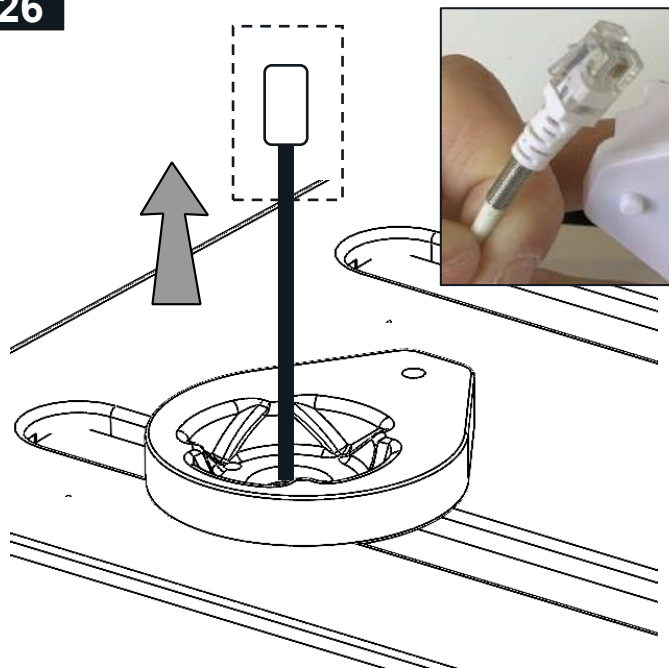
24



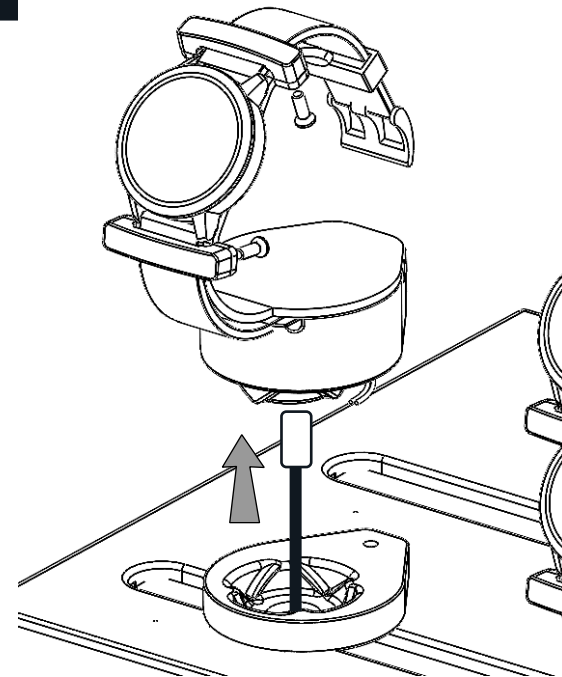
25



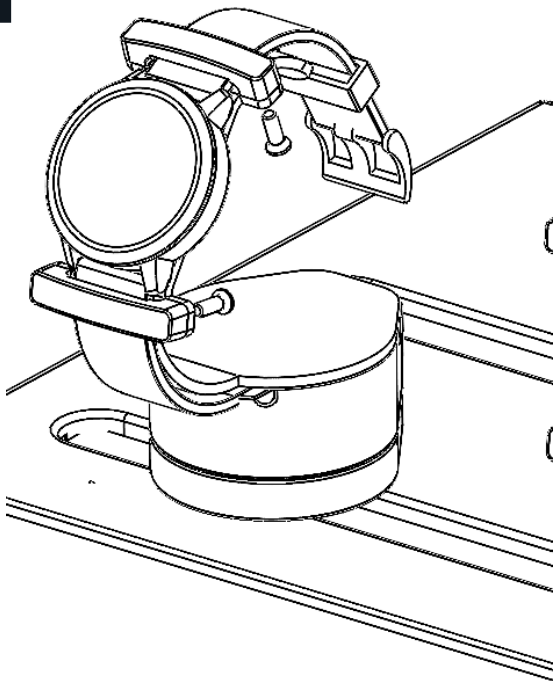
26



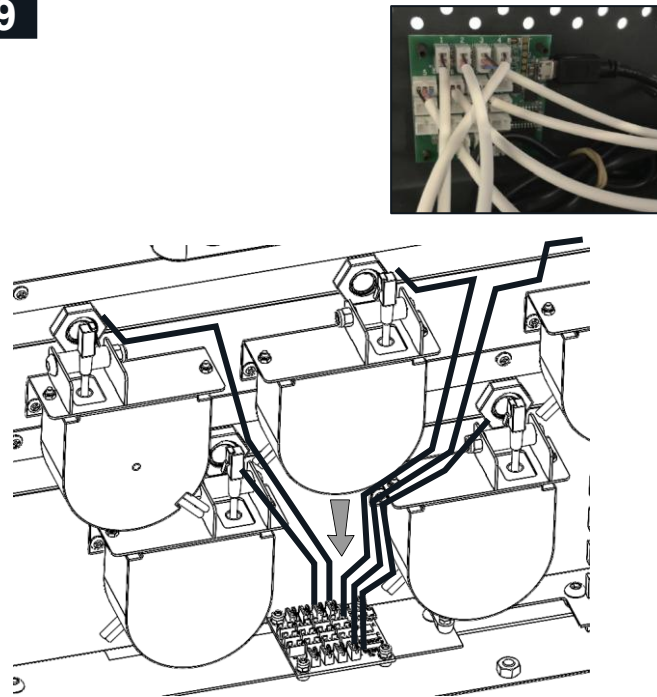
27



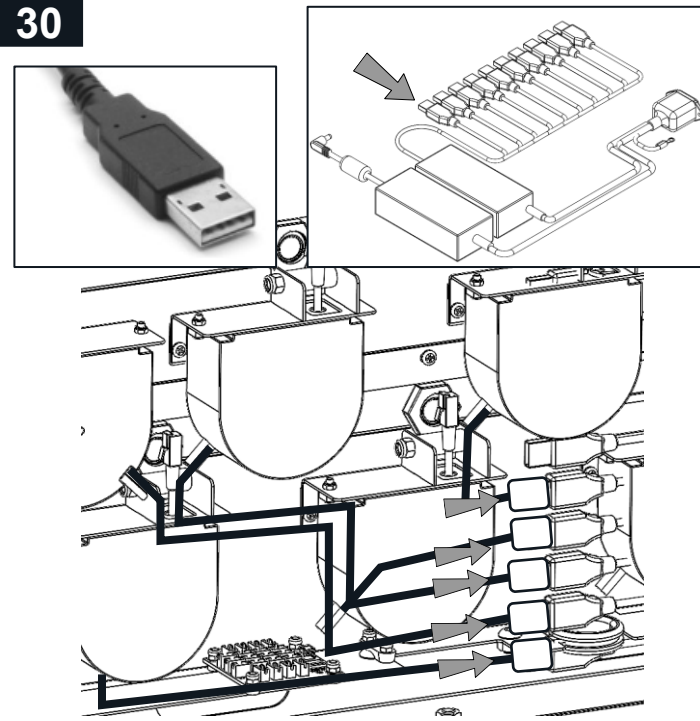
28



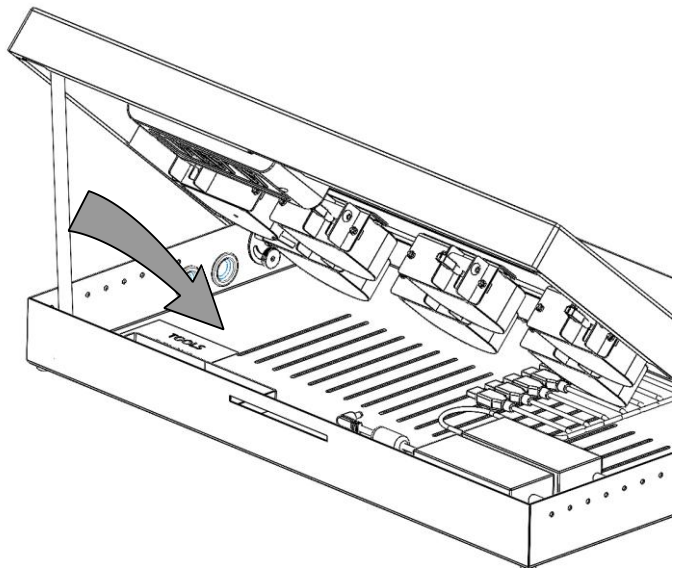
29



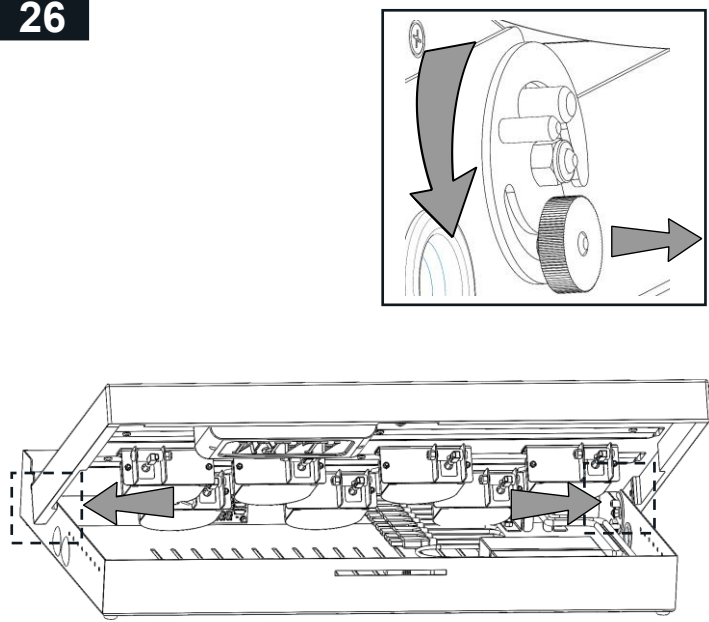
30



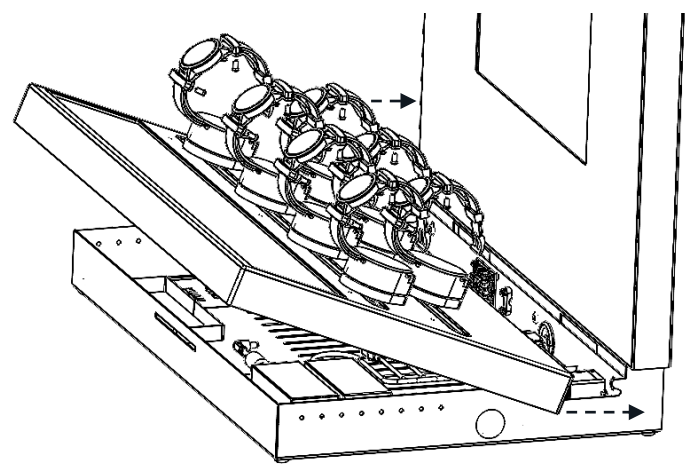
25



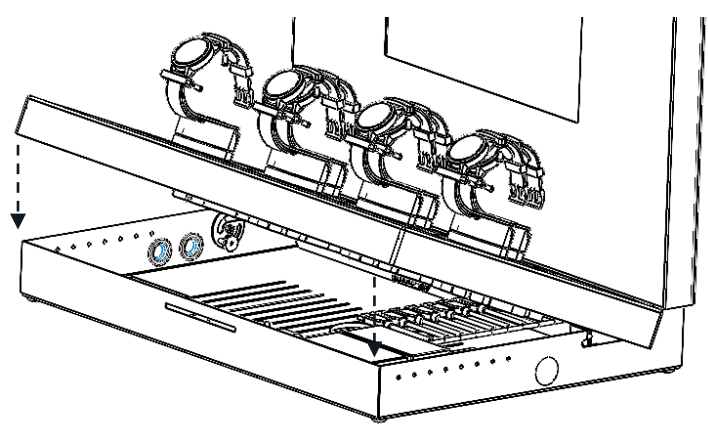
26



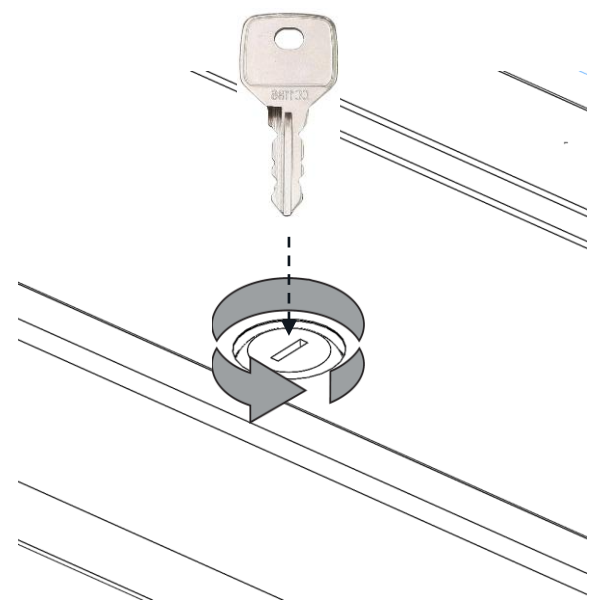
27



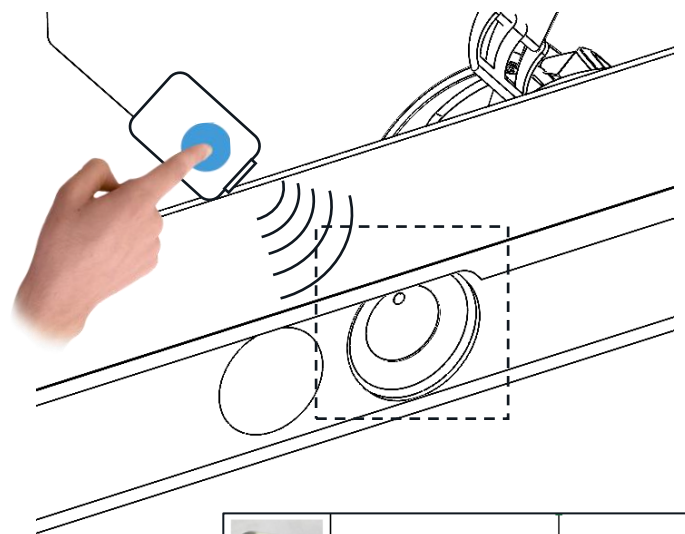
28



29



30

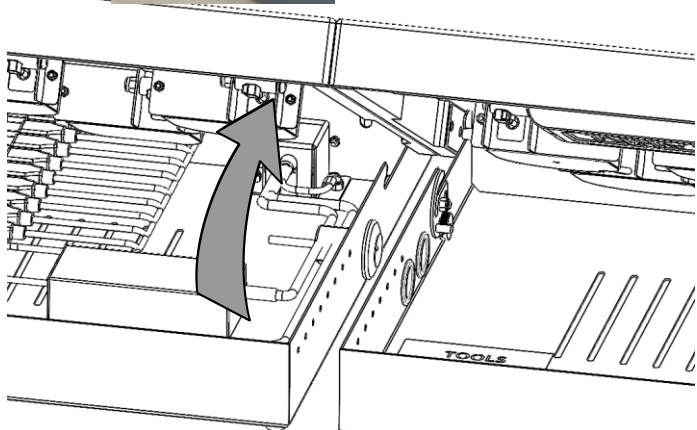


	<p>Remote Control (to work with Access Control Remote Module)</p>	<p>AS33X</p>
--	-------------------------------------------------------------------	--------------

31



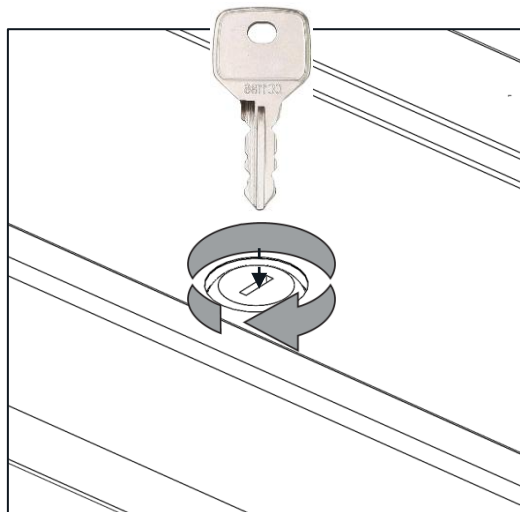
The alarm sensor is on the LHS of the 400 CTU



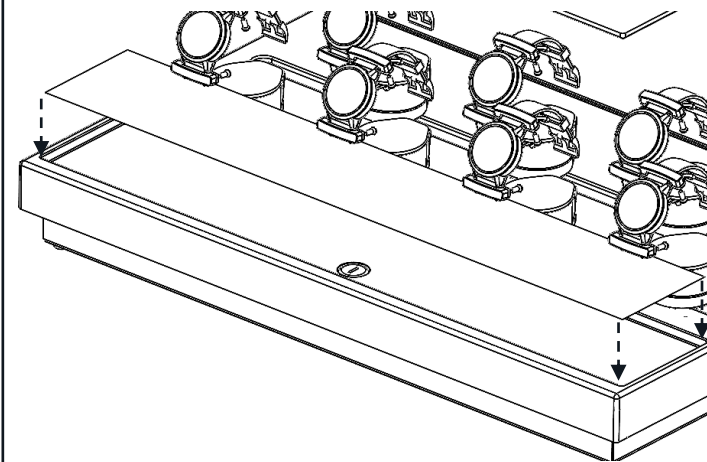
Remote Control (to work with Access Control Remote Module)

AS33X

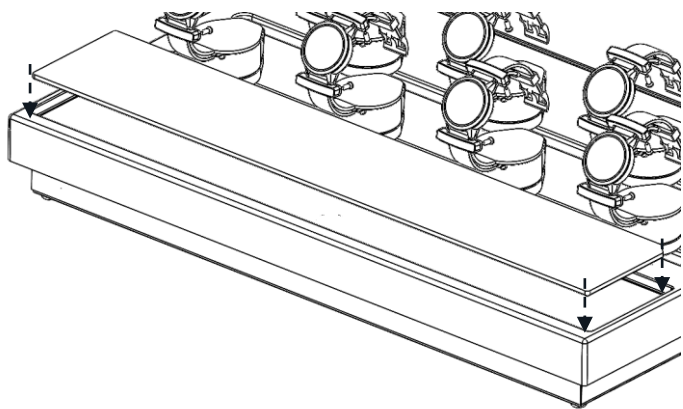
32



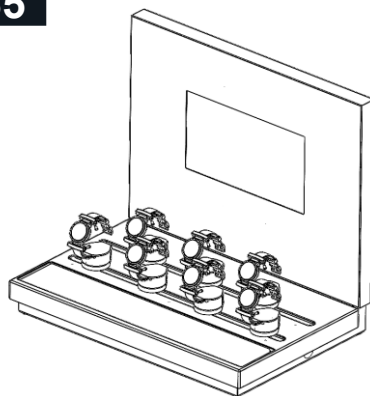
33



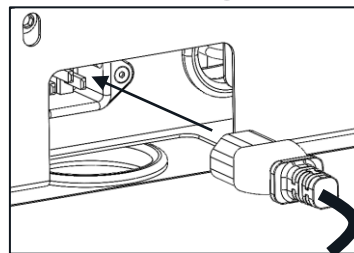
34



35

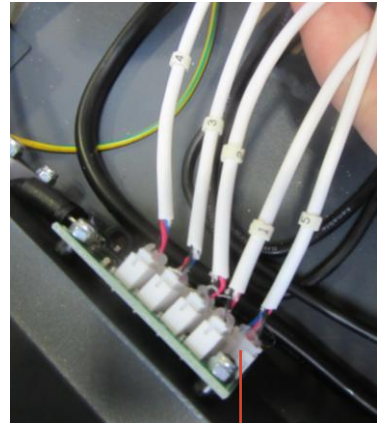
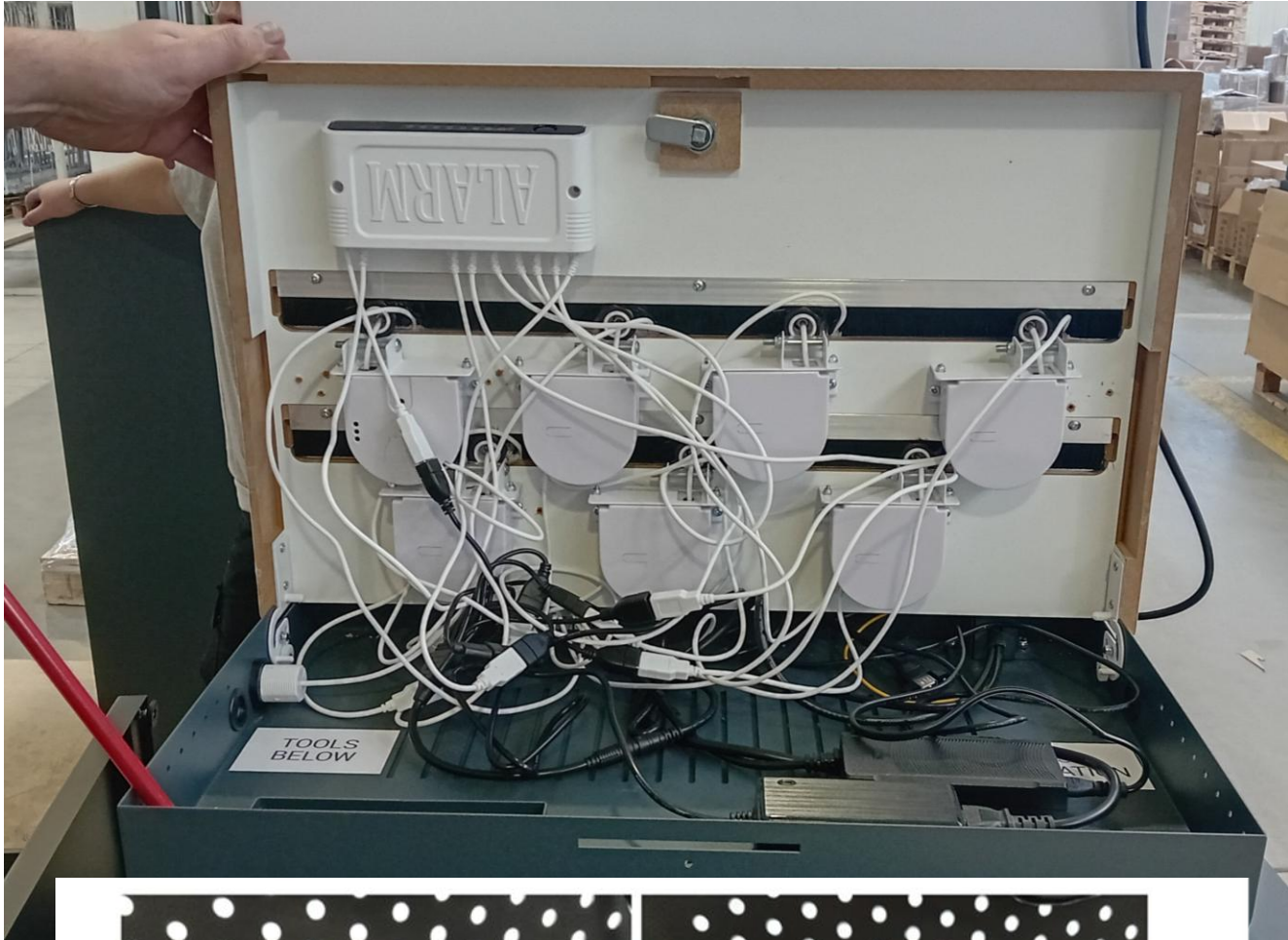


Ⓢ x1

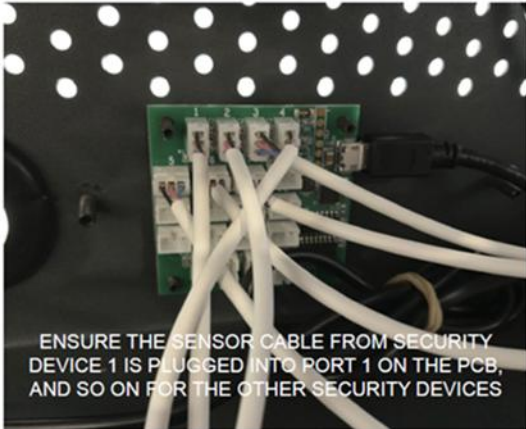


Platinum Security  
Lift and Learn function  
Power for live products with  
USB-C Charging  
Alarm included  
Positions 1-7

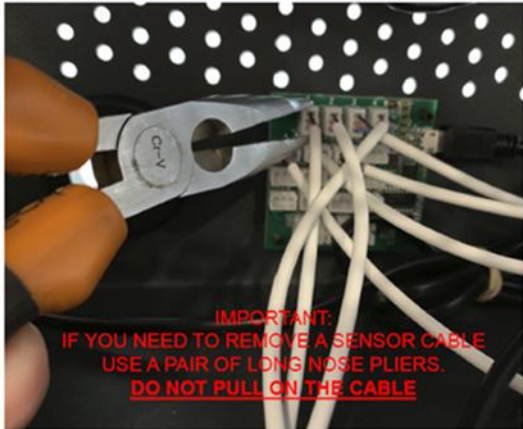




Lift and Learn cables  
for PCB board  
numbered 1-7



ENSURE THE SENSOR CABLE FROM SECURITY  
DEVICE 1 IS PLUGGED INTO PORT 1 ON THE PCB,  
AND SO ON FOR THE OTHER SECURITY DEVICES



**IMPORTANT:**  
IF YOU NEED TO REMOVE A SENSOR CABLE  
USE A PAIR OF LONG NOSE PLIERS.  
DO NOT PULL ON THE CABLE

**\*\*IMPORTANT\*\***

**Your displays come loaded with default video content, this is not lift and learn.  
Lift and learn content must be loaded locally to match your store planogram.**

**This guide is for loading content when the screens are not connected to the internet  
or our Connie content management platform**

# Content Loading

1. Open the base of your unit & locate the content USB port.
2. Ensure display is turned on and the screen is working.
3. Insert USB stick into USB port



Insert USB into port inside base of unit or side of screen

To set-up content for your screen please refer to the following guide on the Garmin Portal

[New Garmin Offline Experiences App v1 – New Device Setup – Garmin](#)

# Content Test

## Check everything has been loaded correctly

1. Reboot the screen by un-plugging at the mains , check the app loads and idle video plays
2. Lift one product, check the content changes to correctly match the product lifted
3. Repeat with all products
4. Lift two products check the correct compare images display
5. Repeat with all products
6. Reboot display again by un-plugging at the mains, allow to re-boot and then process is complete

