

GARMIN

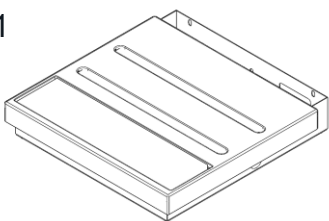
CORPORATE DISPLAY
P12674 | 23/02/2026
CTU + SCREEN HEADER +
BRONZE POSTS

TOOLS REQUIRED – SUPPLIED

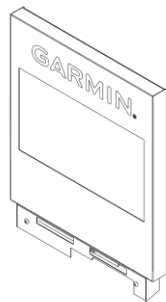


Parts

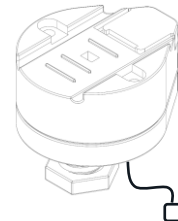
(A) X1
400MM



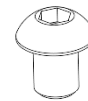
(B) X1
400MM



(B) X5
BRONZE
SECURITY
POSTS
(PRE-FITTED)



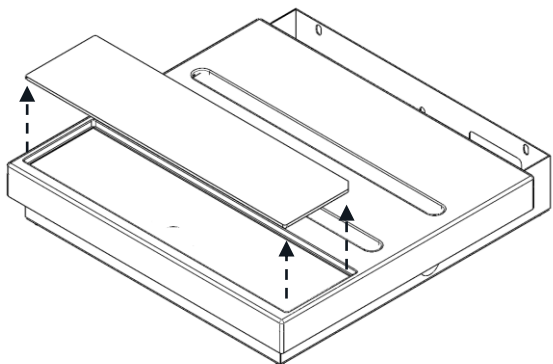
(E) X5
M6X8MM
SCREW



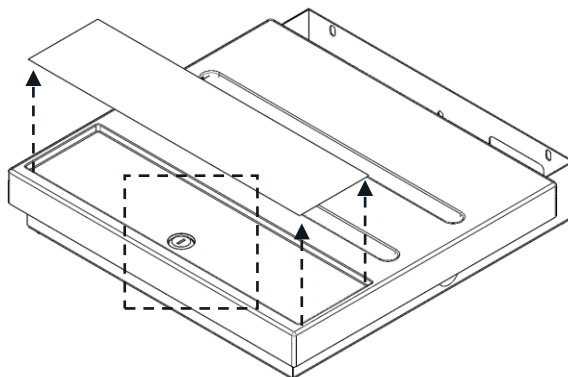
(C) X1



1



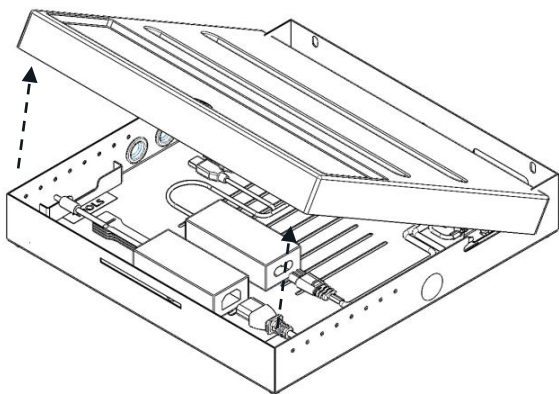
2



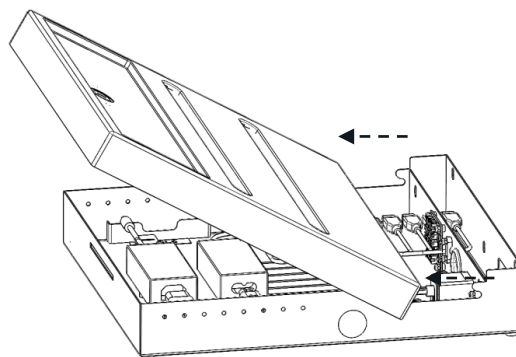
3



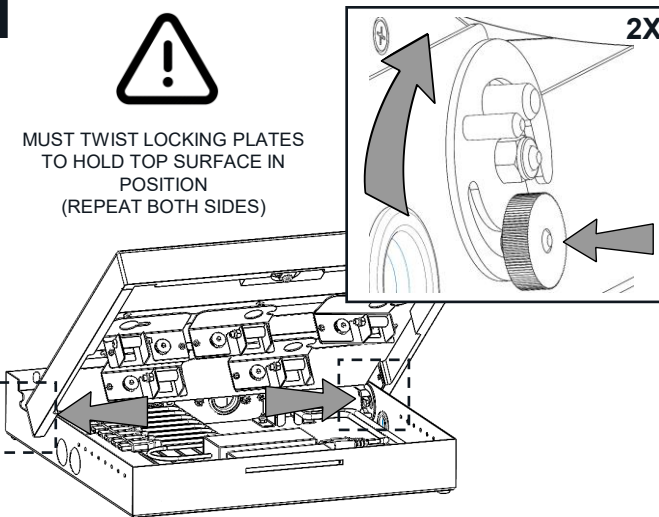
4



5



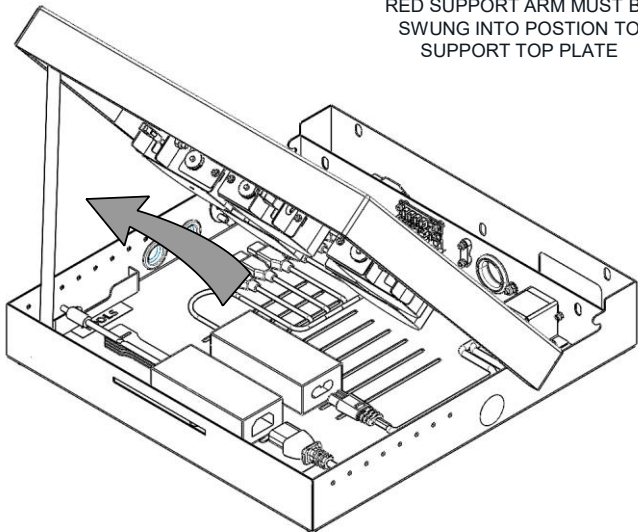
6



7

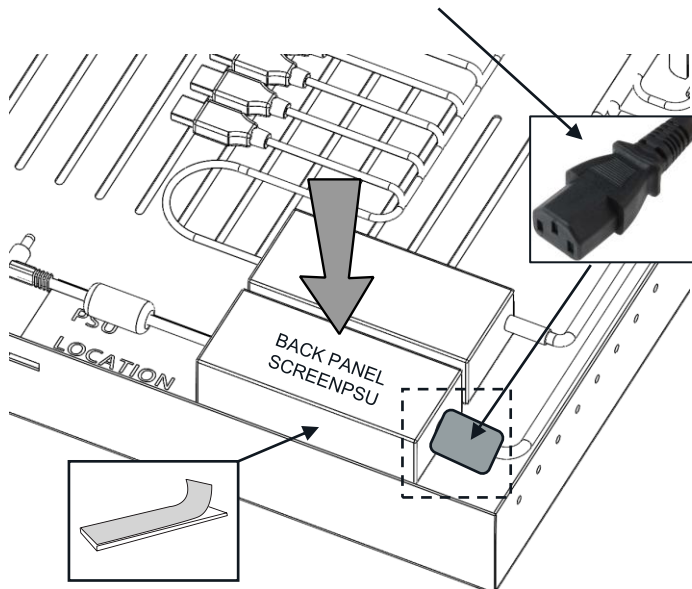


RED SUPPORT ARM MUST BE SWUNG INTO POSITION TO SUPPORT TOP PLATE

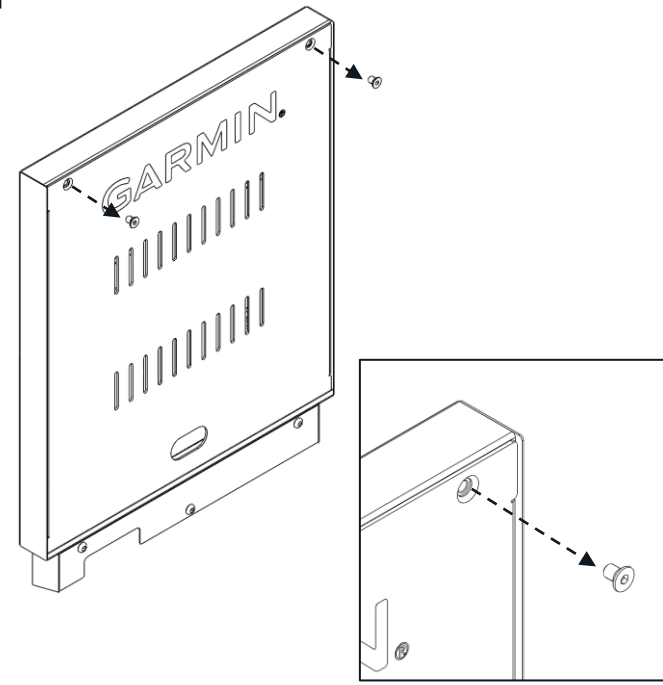


8

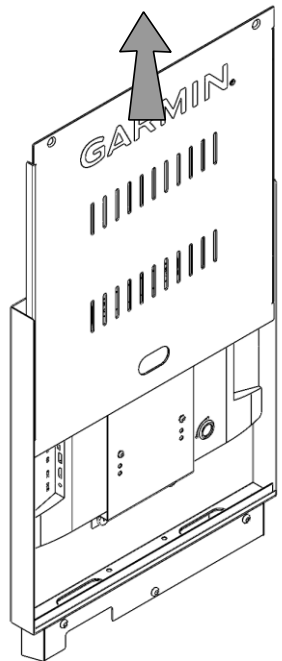
IEC PLUG COMING FROM MAIN POWER LOOM ON CTU SECTION



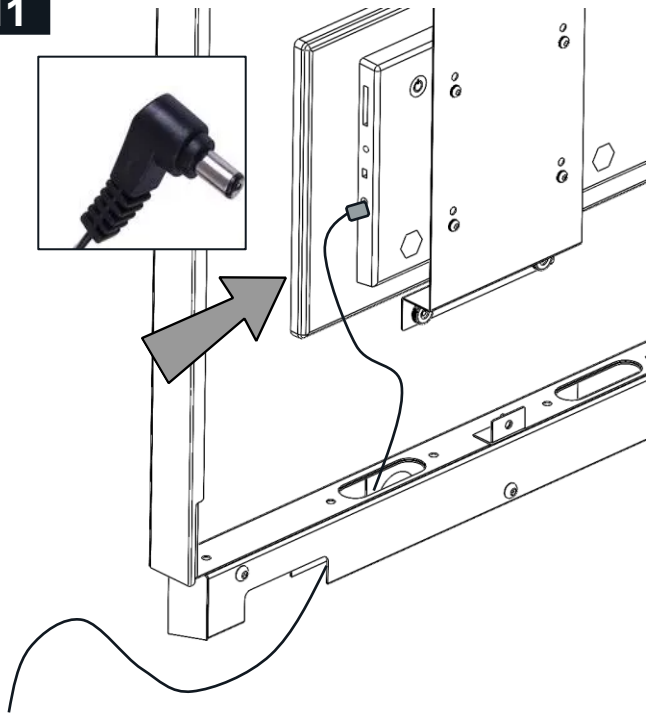
9



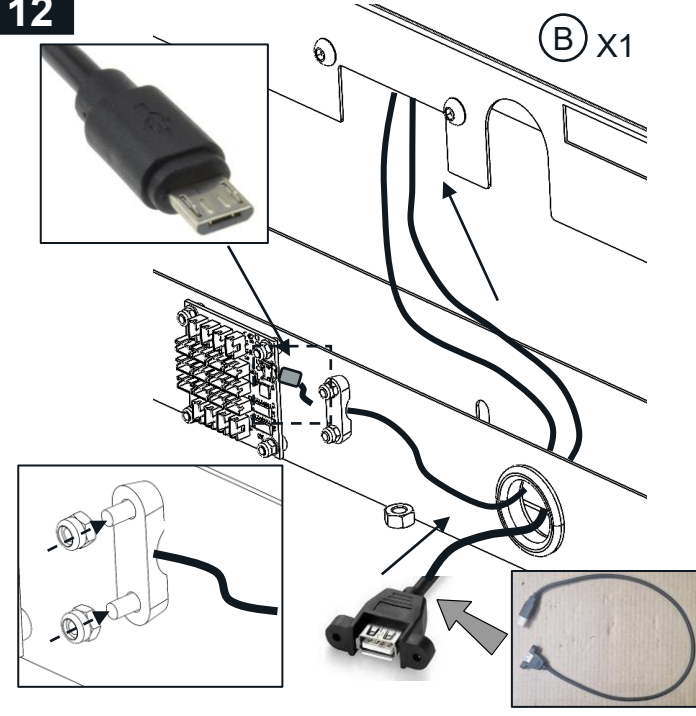
10



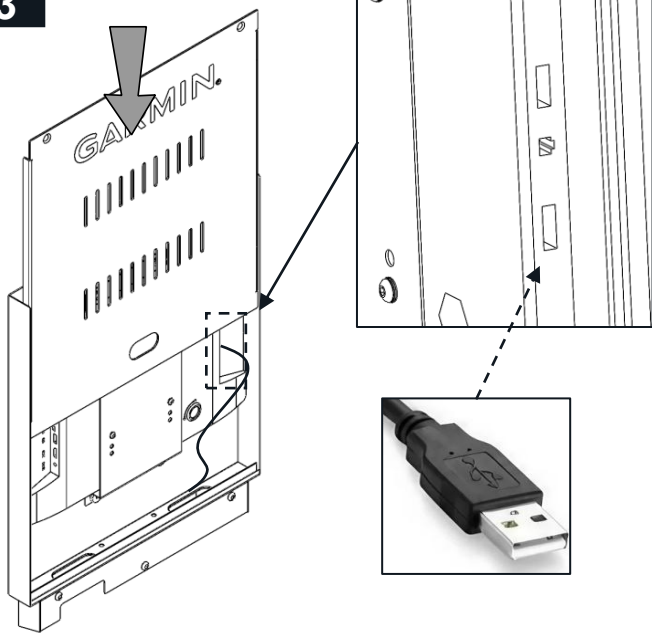
11



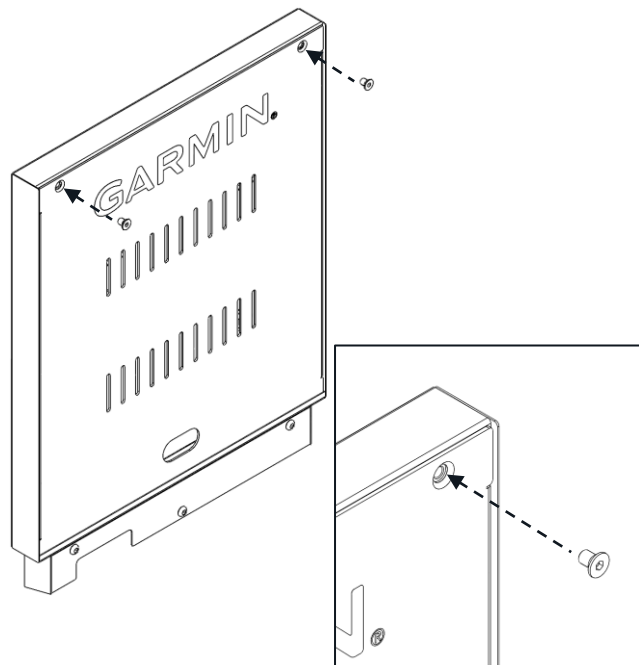
12



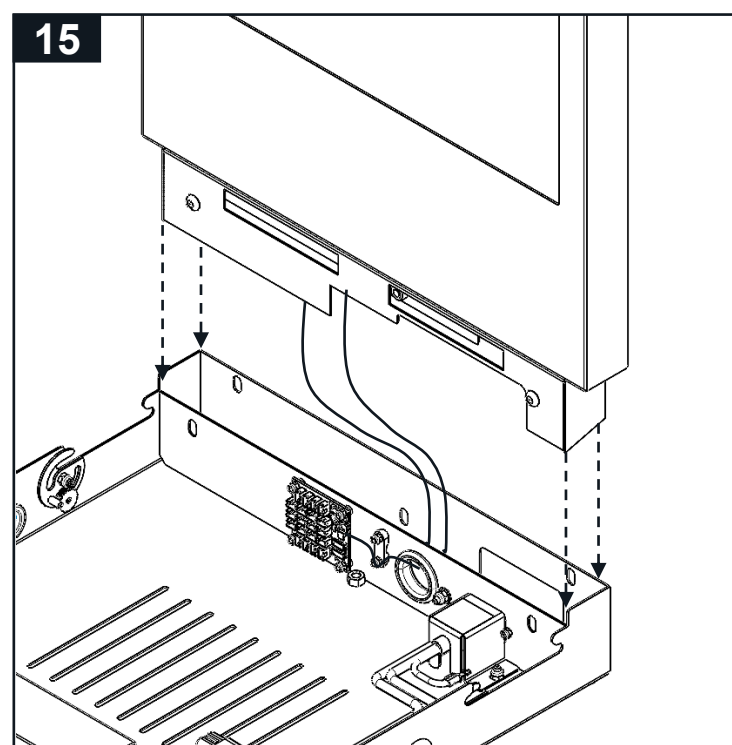
13



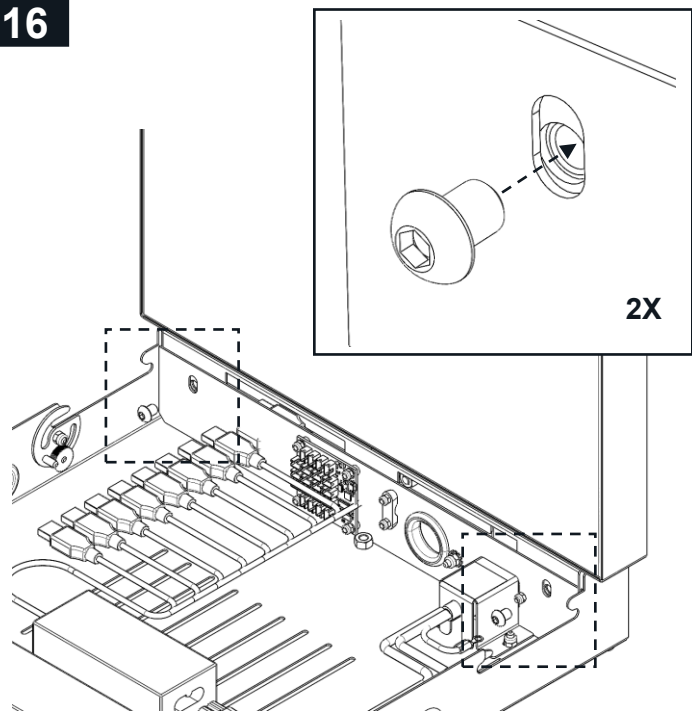
14



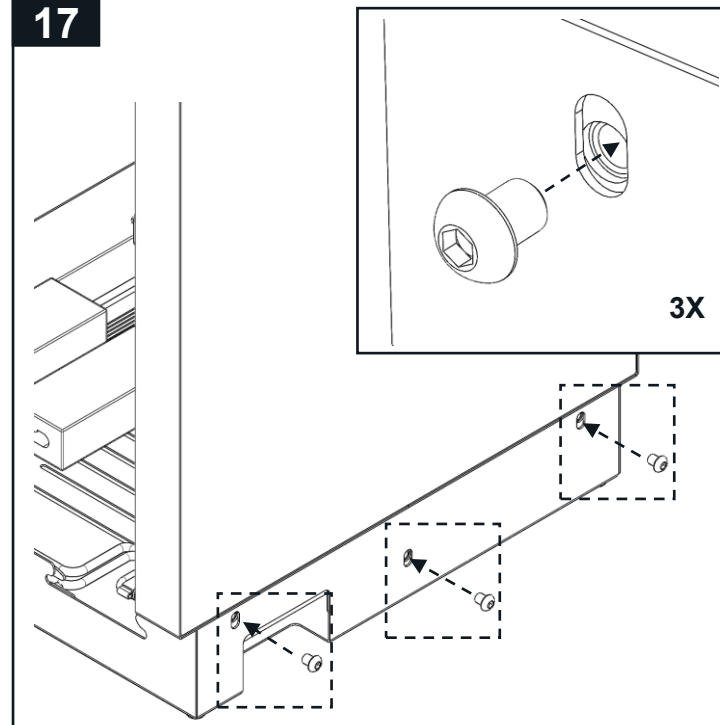
15



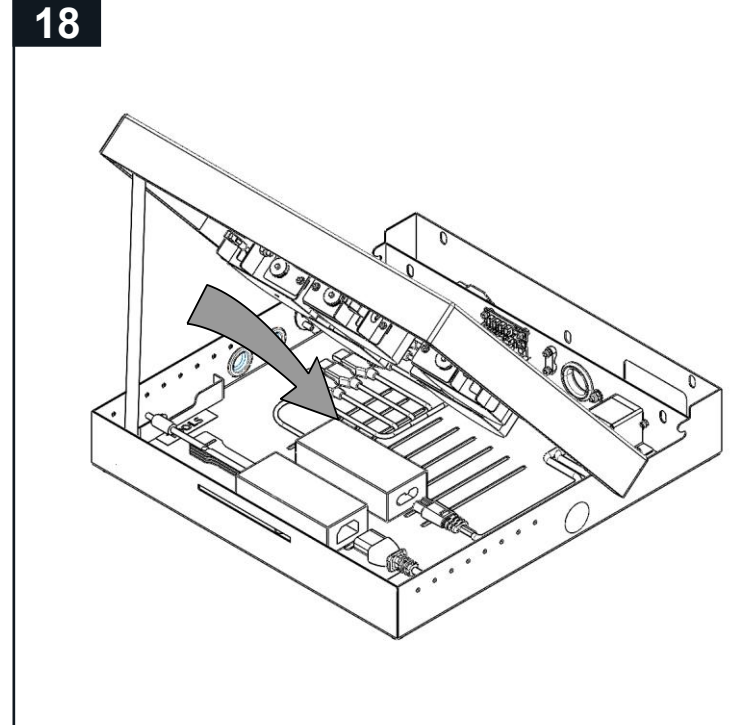
16



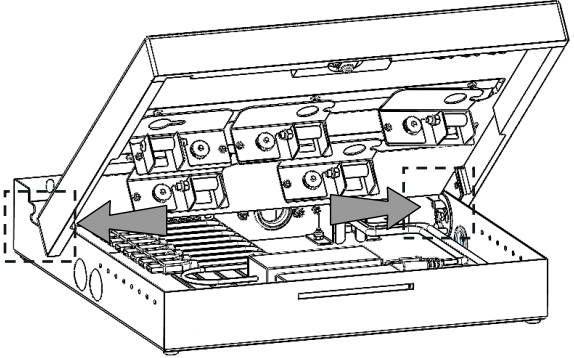
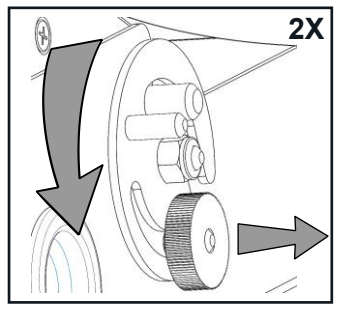
17



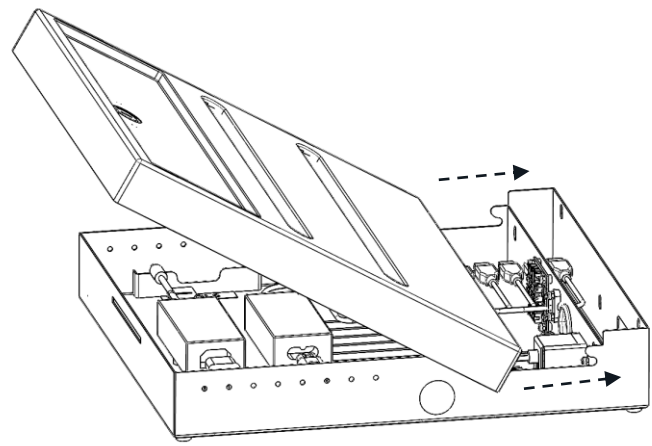
18



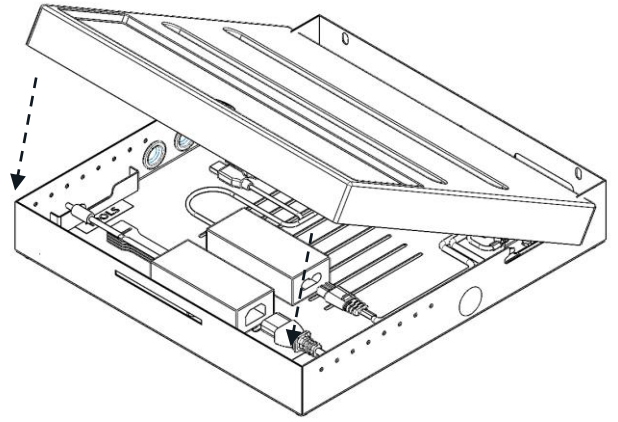
19



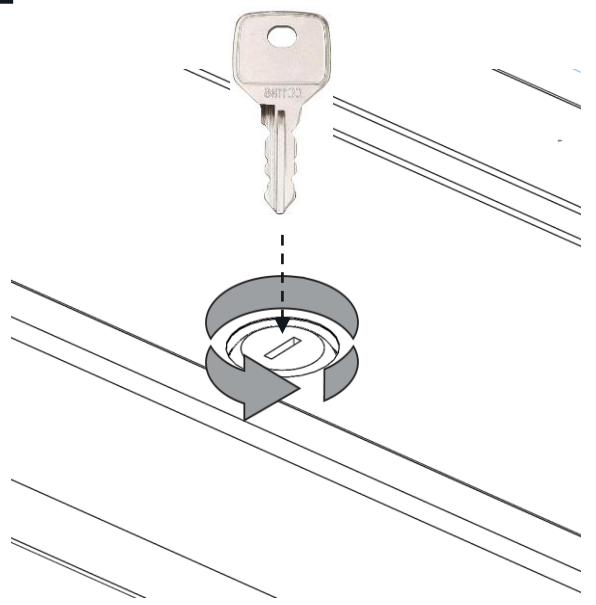
20



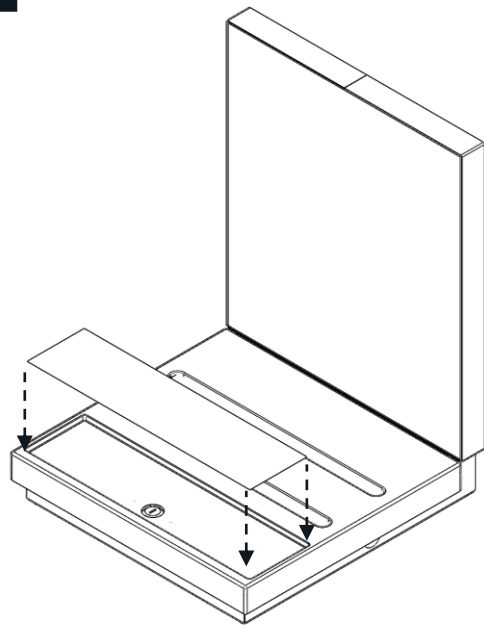
21



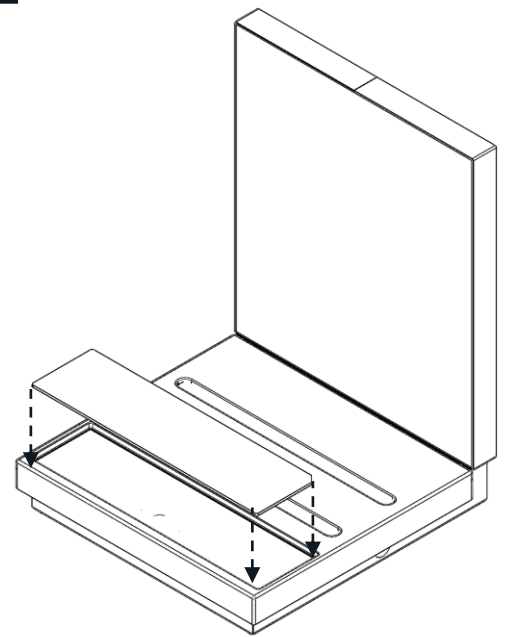
22



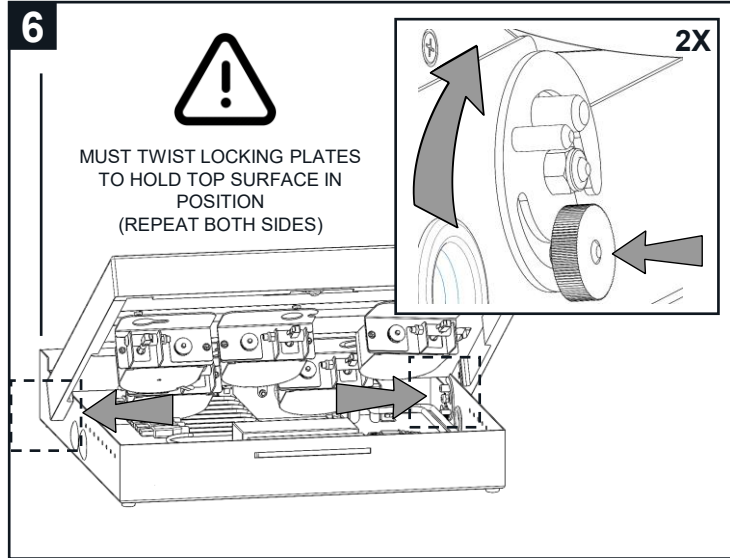
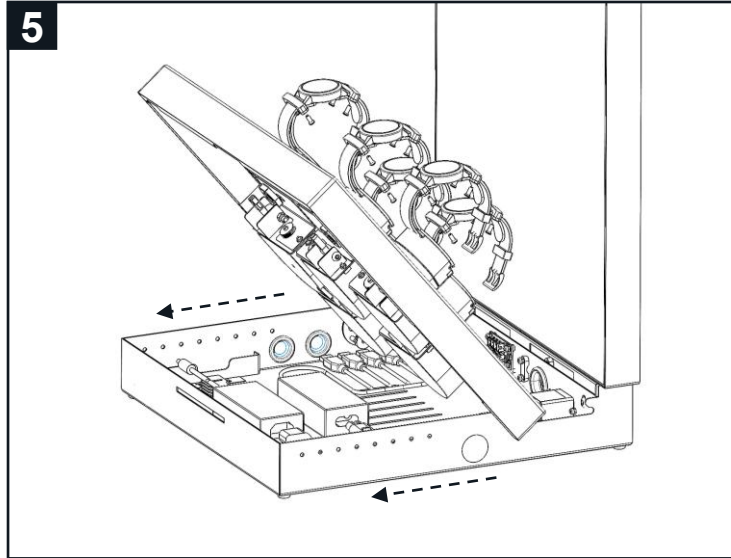
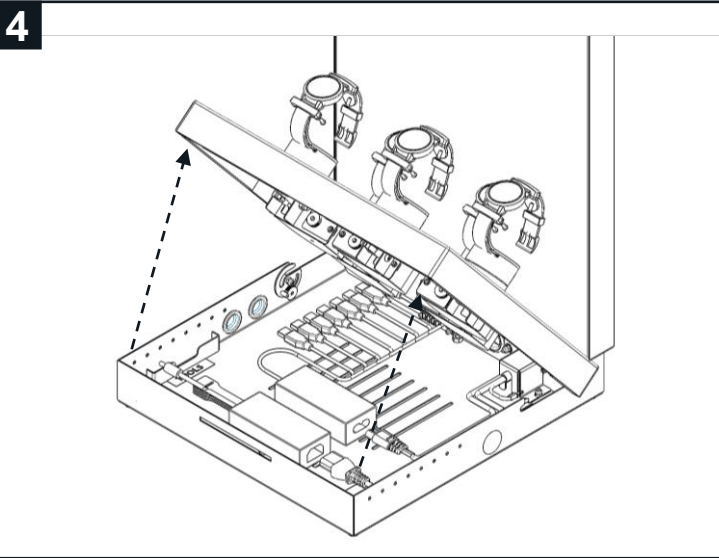
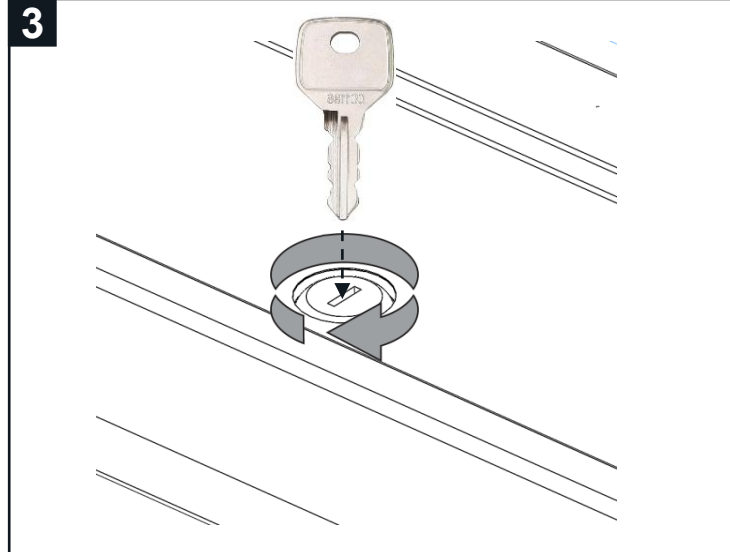
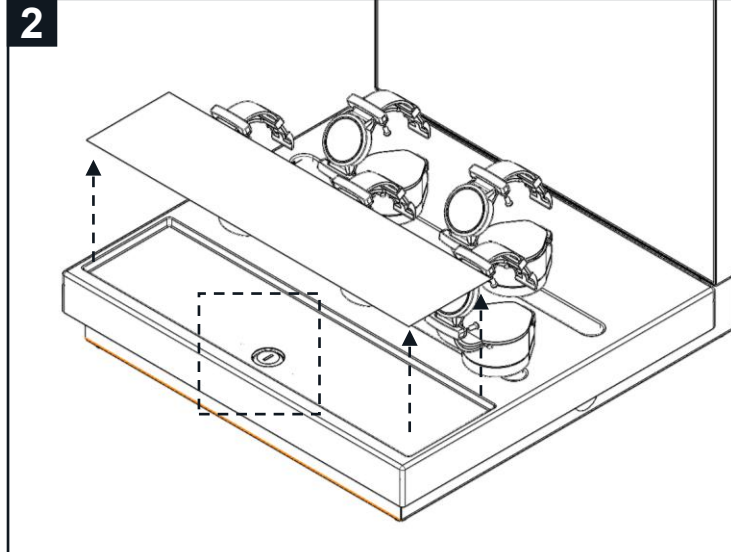
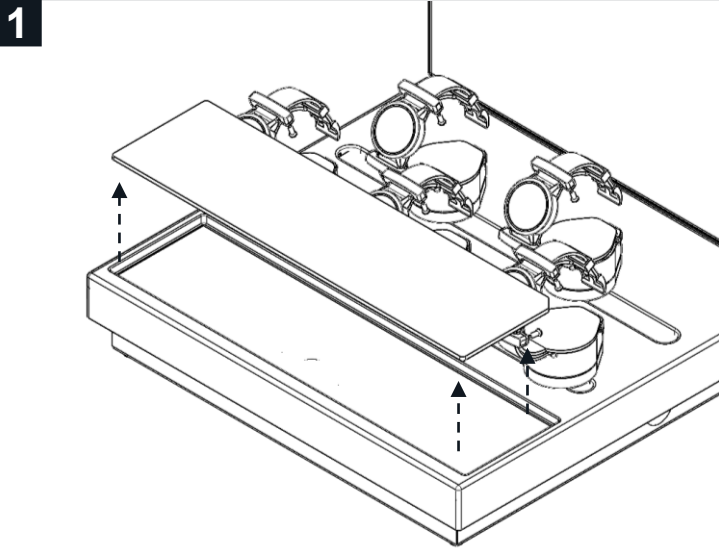
23



24



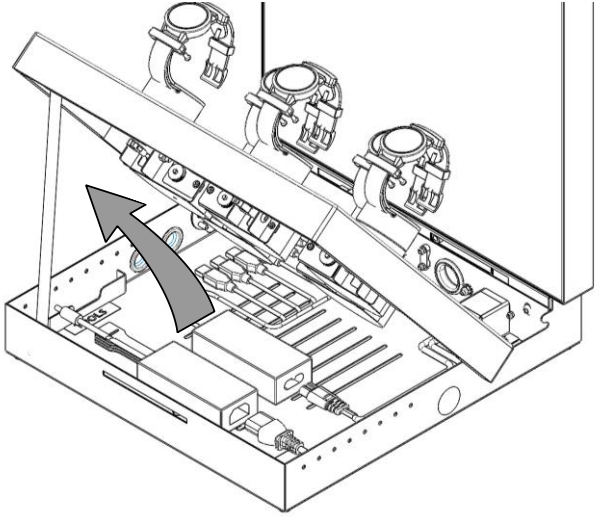
Fitting security to your CTU



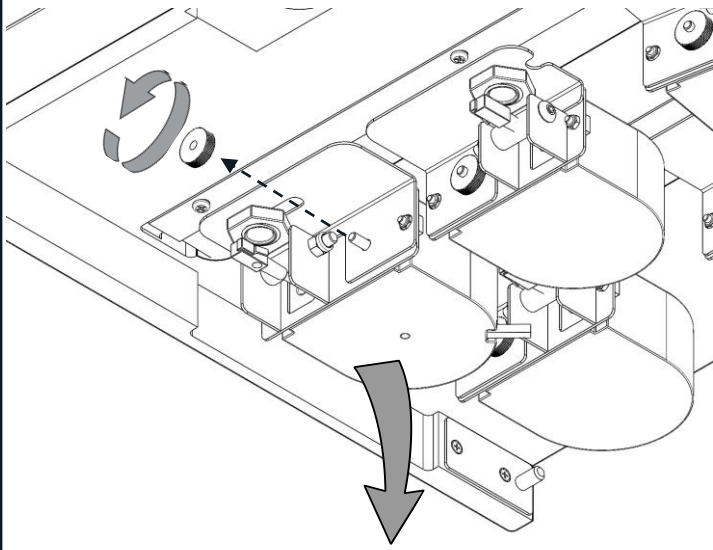
7



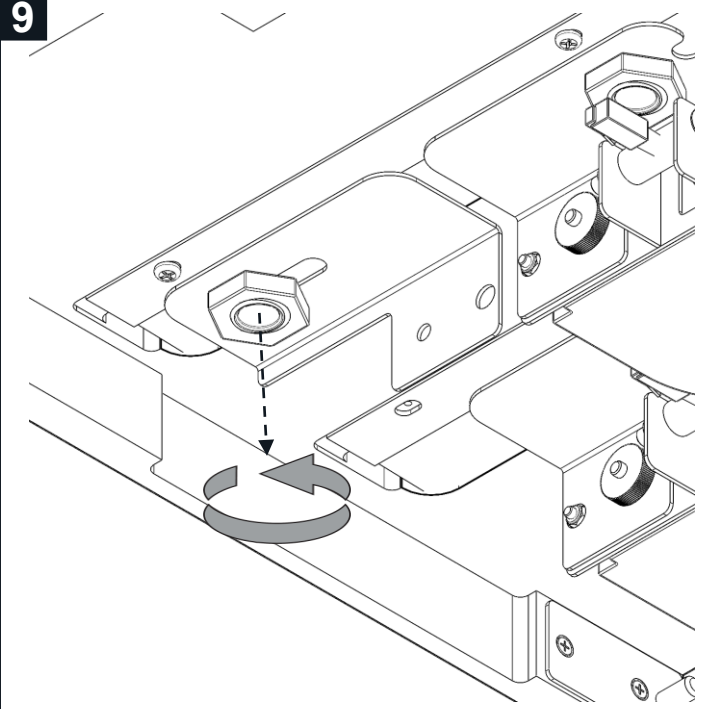
RED SUPPORT ARM MUST BE SWUNG INTO POSITION TO SUPPORT TOP PLATE



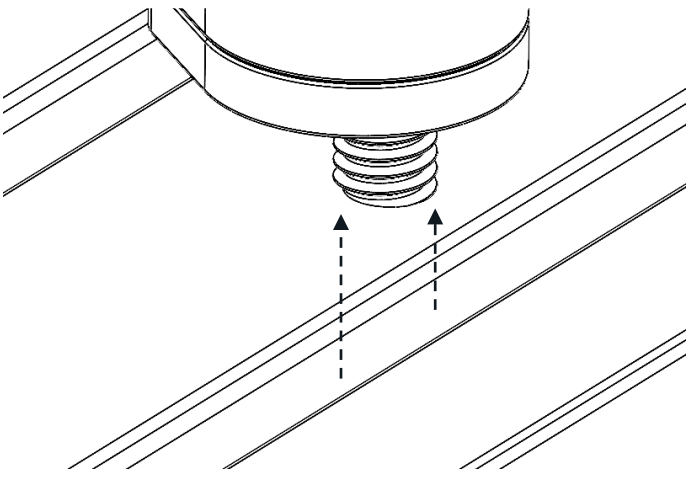
8



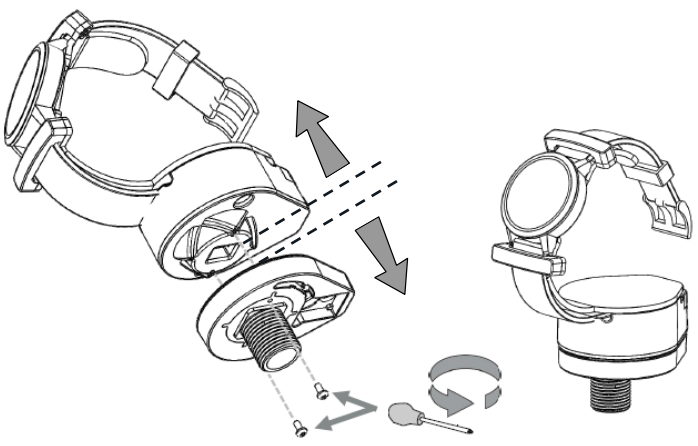
9



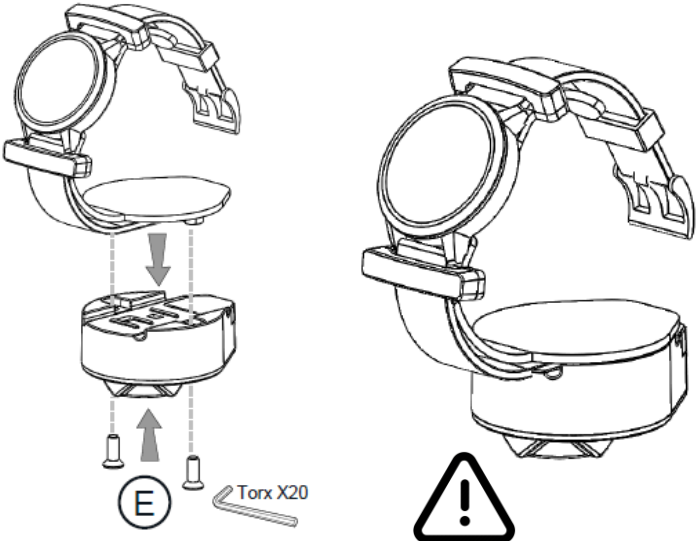
10



11

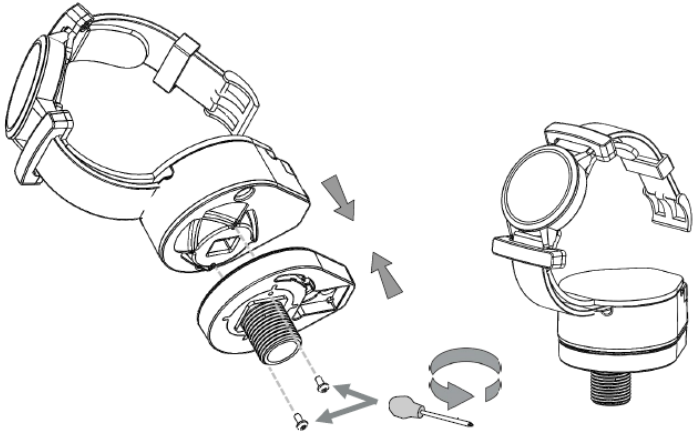


12

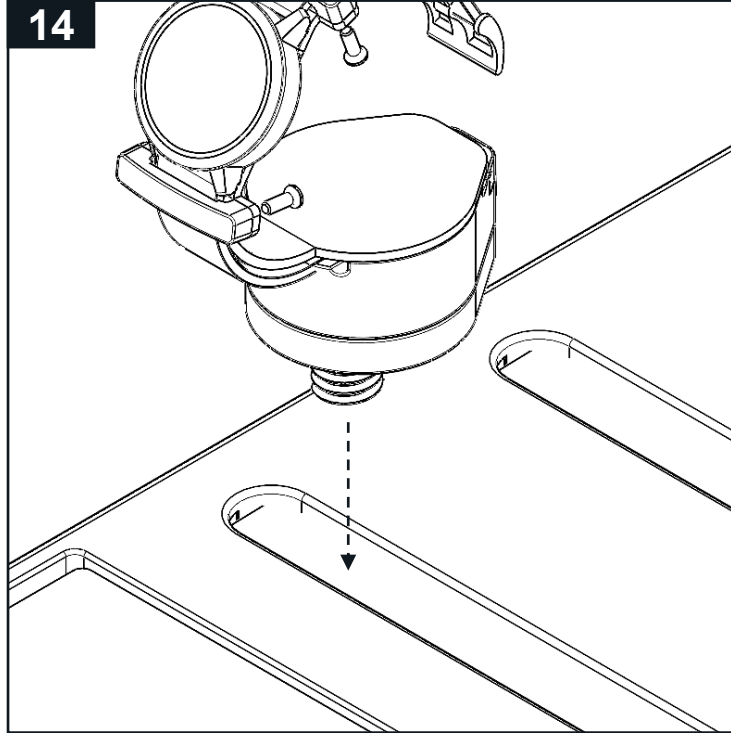


REMOVE EXISTING CRADLE FROM THE PLASTIC MOULDING SO THAT IT CAN BE REATTACHED TO BRONZE POST IF REQUIRED

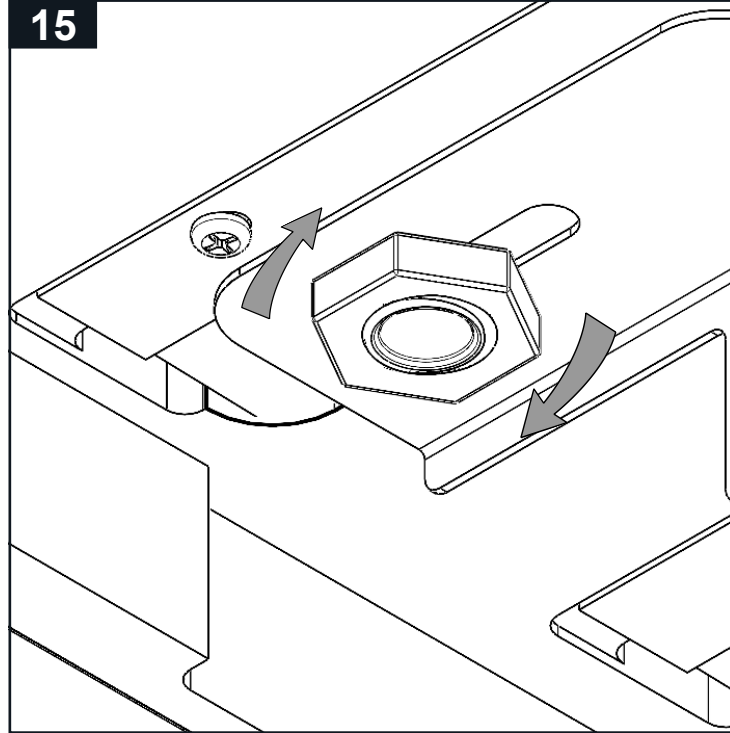
13



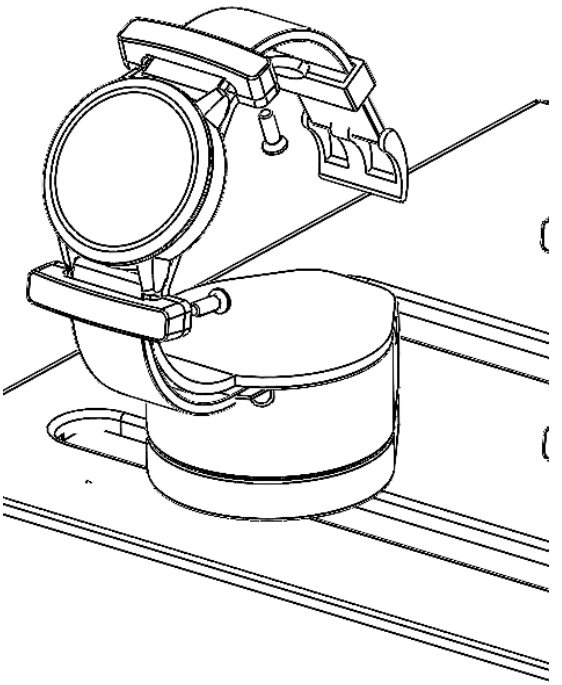
14



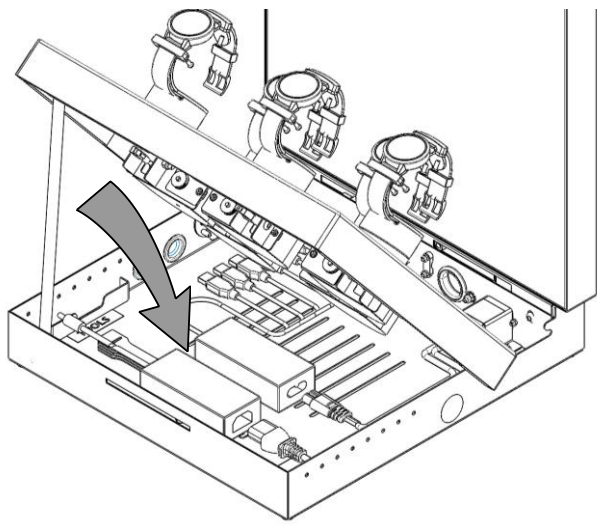
15



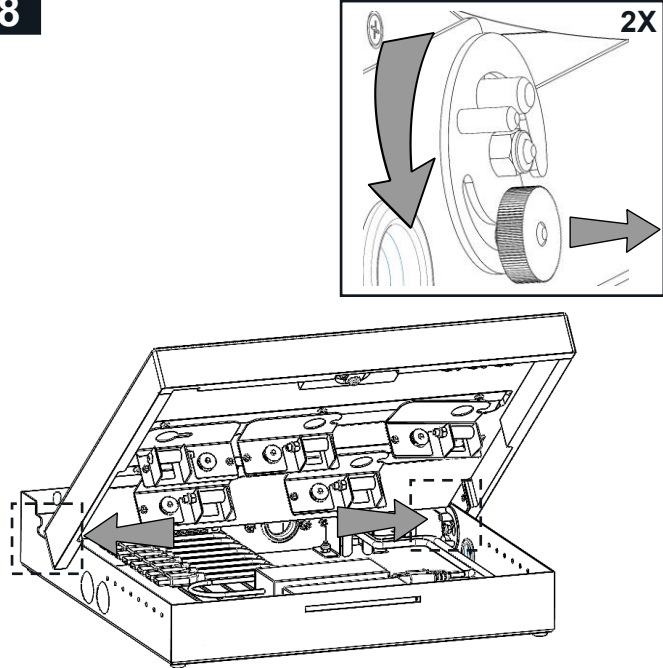
16



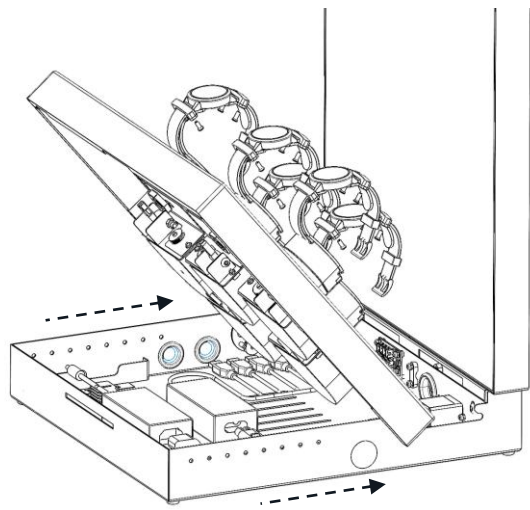
17



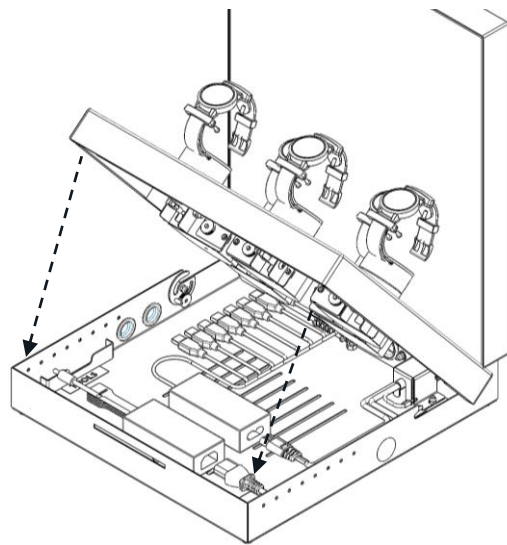
18



19



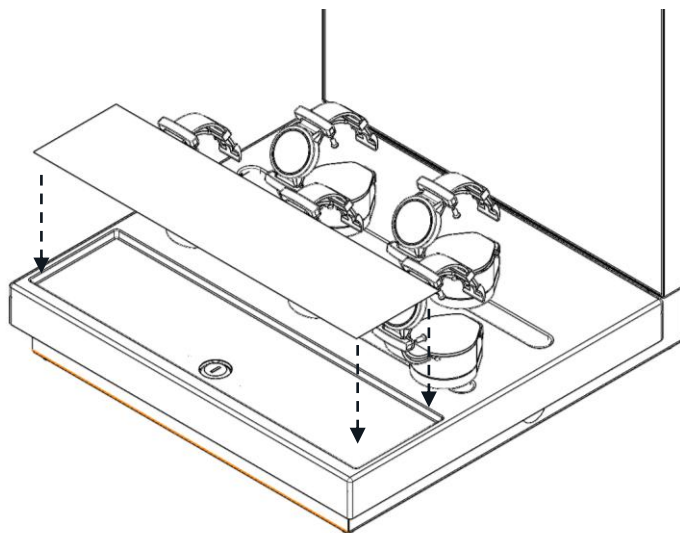
20



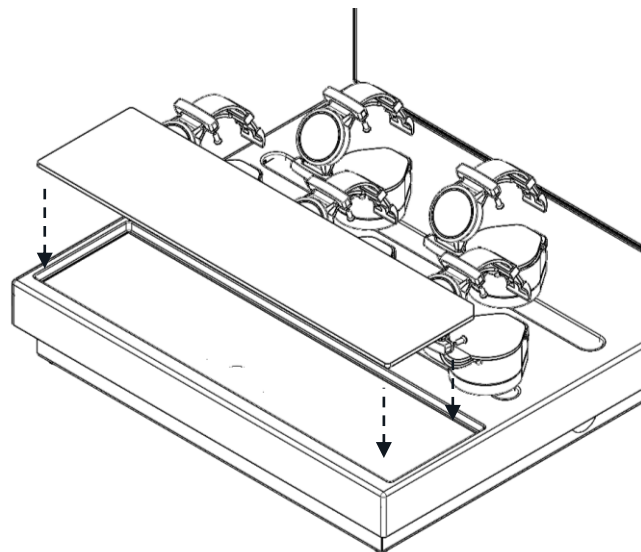
21



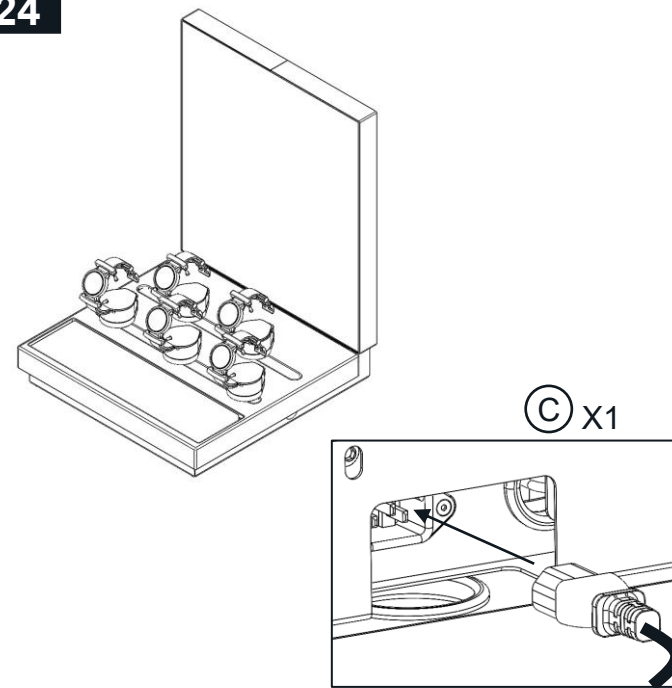
22



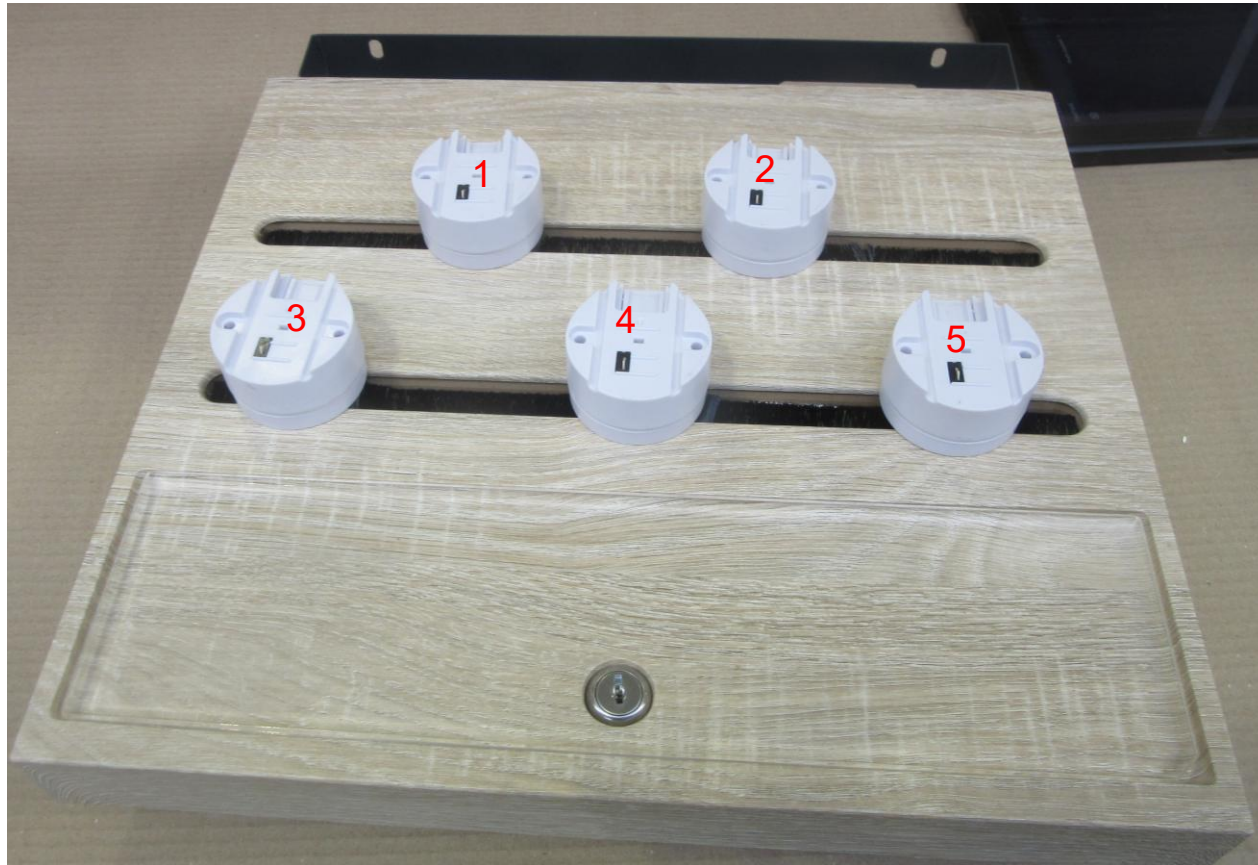
23



24



Bronze Security Fixed posts only





10 way PSU power loom

Screen PSU

****IMPORTANT****

**Your displays come loaded with default video content, this is not lift and learn.
Lift and learn content must be loaded locally to match your store planogram.**

**This guide is for loading content when the screens are not connected to the internet
or our Connie content management platform**

Content Loading

1. Open the base of your unit & locate the content USB port.
2. Ensure display is turned on and the screen is working.
3. Insert USB stick into USB port



Insert USB into port inside base of unit or side of screen

To set-up content for your screen please refer to the following guide on the Garmin Portal

[New Garmin Offline Experiences App v1 – New Device Setup – Garmin](#)

Content Test

Check everything has been loaded correctly

1. Reboot the screen by un-plugging at the mains , check the app loads and idle video plays
2. Lift one product, check the content changes to correctly match the product lifted
3. Repeat with all products
4. Lift two products check the correct compare images display
5. Repeat with all products
6. Reboot display again by un-plugging at the mains, allow to re-boot and then process is complete

