

GARMIN

CORPORATE DISPLAY

P12674 | 23/02/2026

600 CTU + SCREEN HEADER
+ BRONZE POSTS

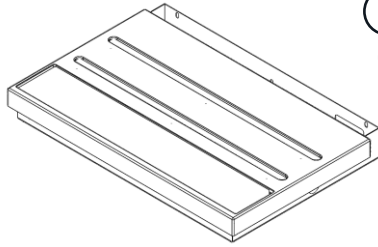
TOOLS REQUIRED – SUPPLIED



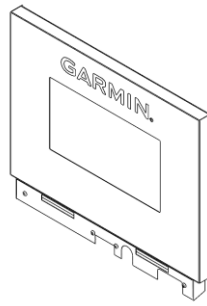
4MM ALLEN KEY

Parts

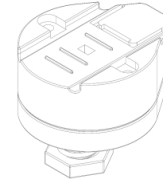
(A) X1
600MM



(B) X1
600MM



(D) X7



**BRONZE
SECURITY
POSTS
(PRE-FITTED)**

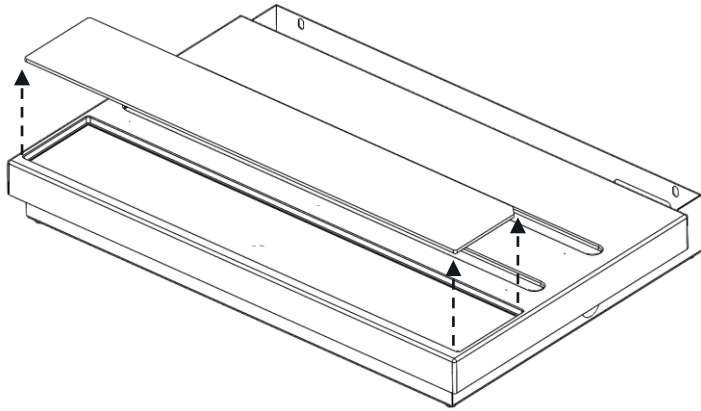
(E) X5
M6X8MM
SCREW



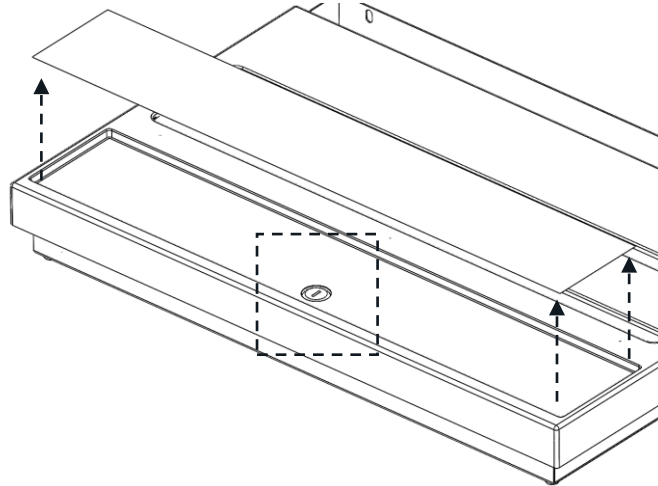
(C) X1



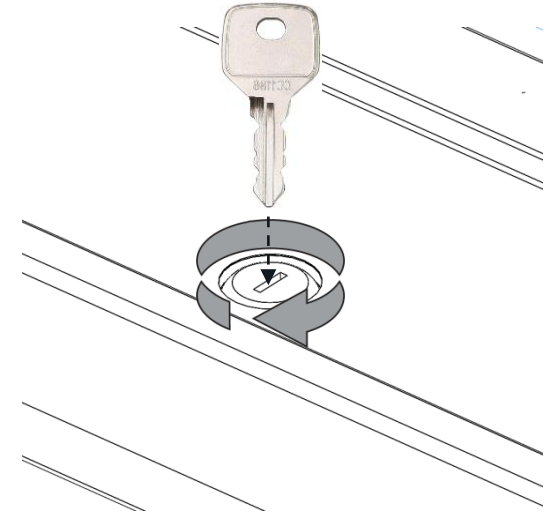
1



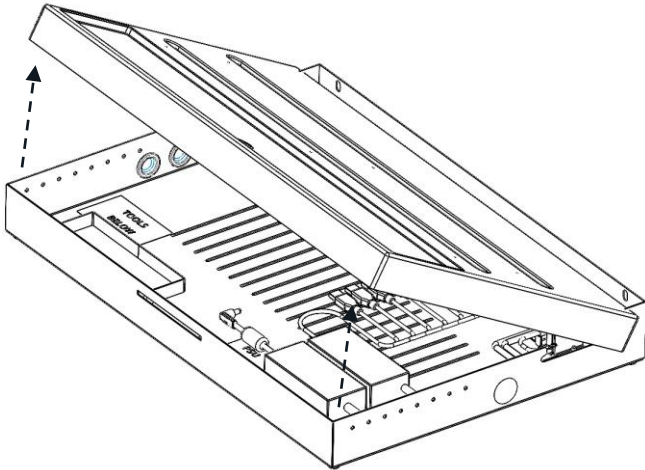
2



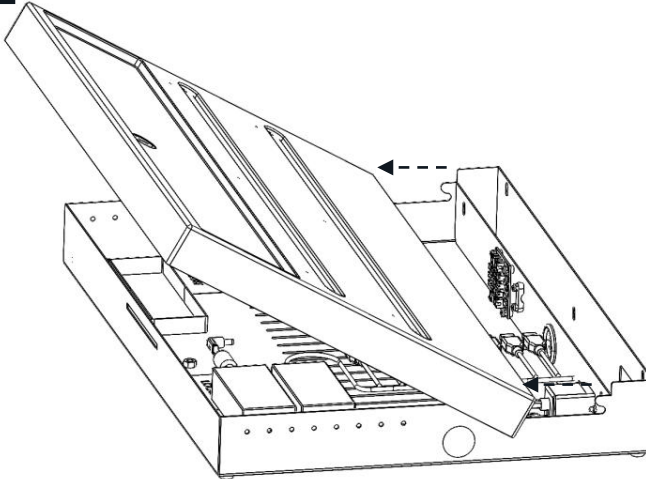
3



4



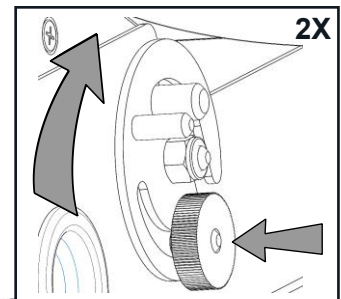
5



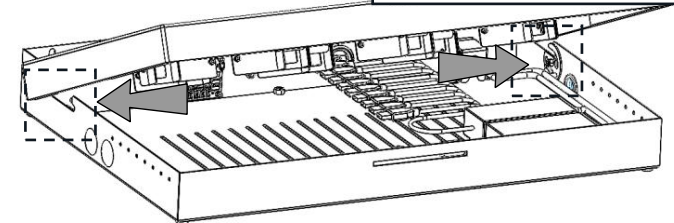
6



**MUST TWIST LOCKING PLATES
TO HOLD TOP SURFACE IN
POSITION
(REPEAT BOTH SIDES)**



2X

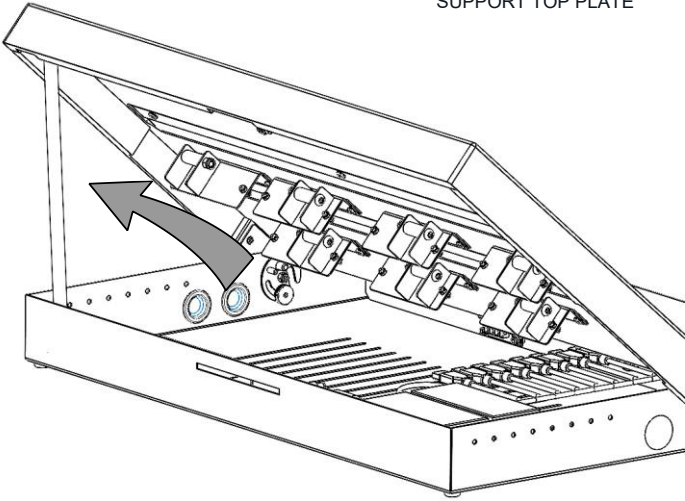


GARMIN®

7

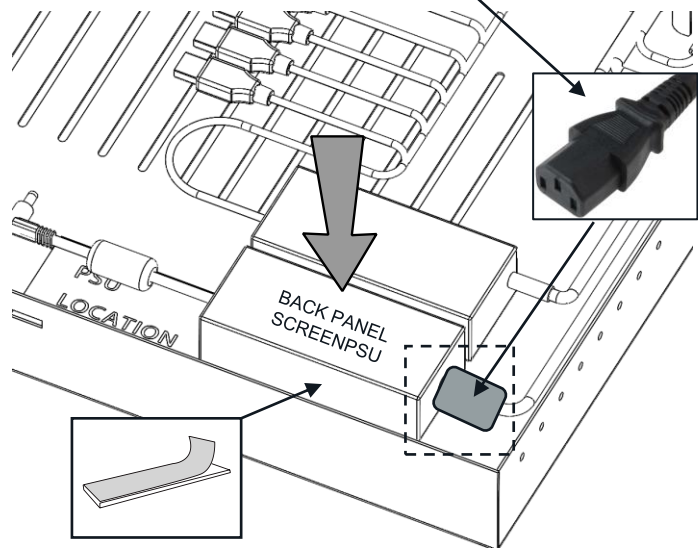


RED SUPPORT ARM MUST BE SWUNG INTO POSITION TO SUPPORT TOP PLATE

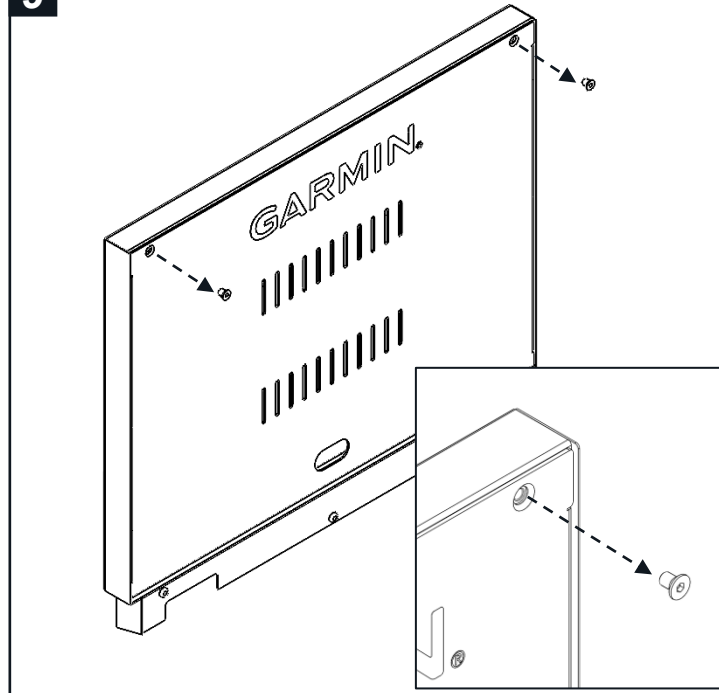


8

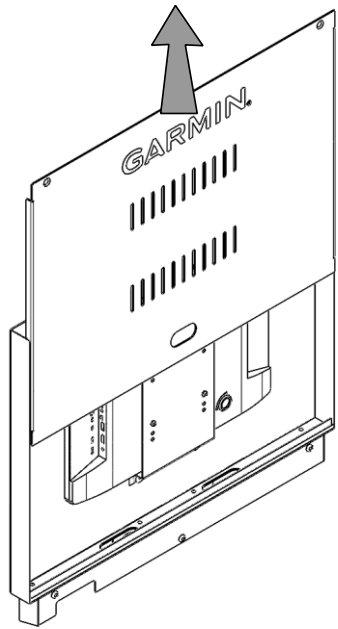
IEC PLUG COMING FROM MAIN POWER LOOM ON CTU SECTION



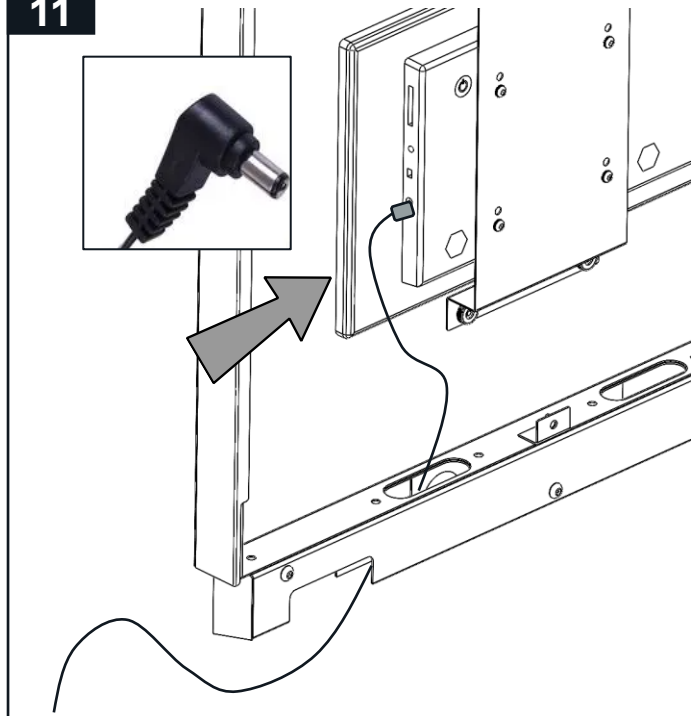
9



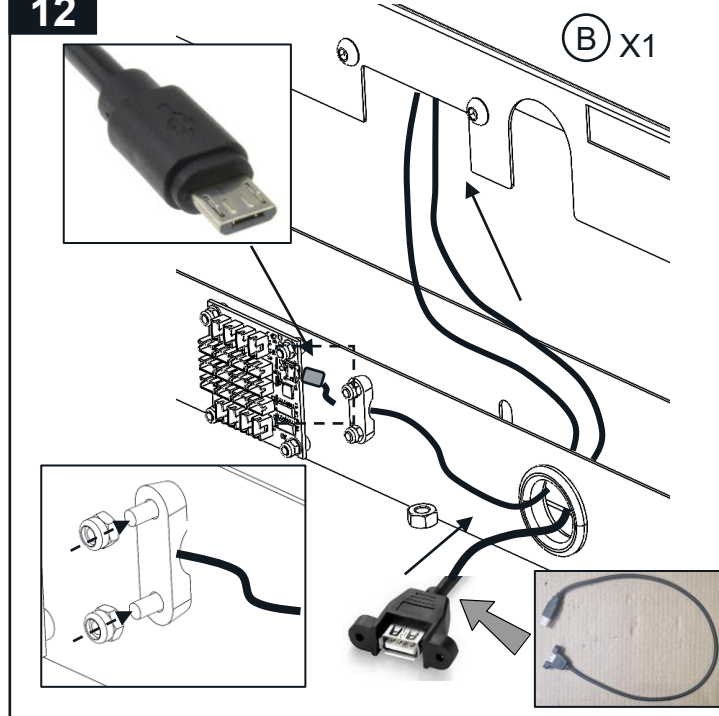
10



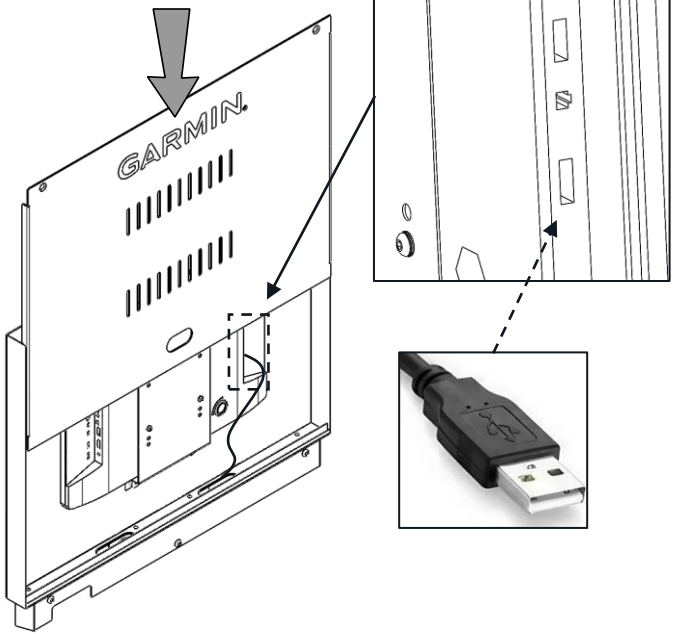
11



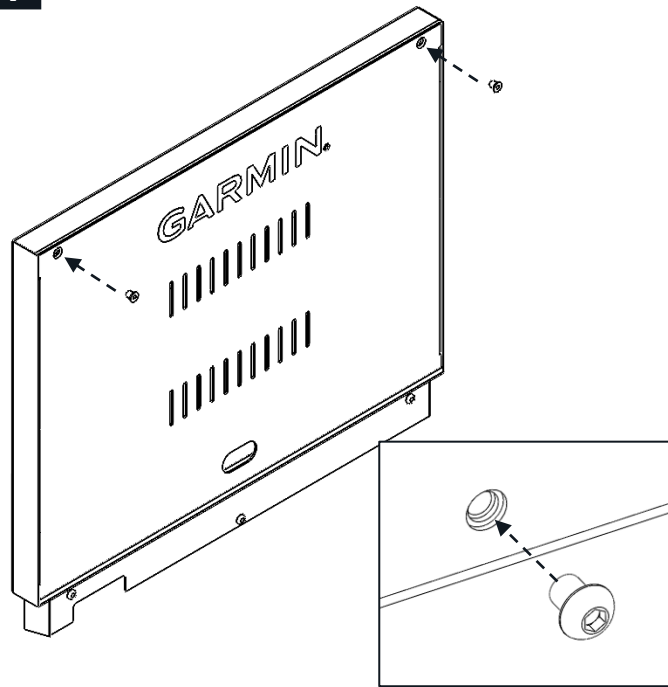
12



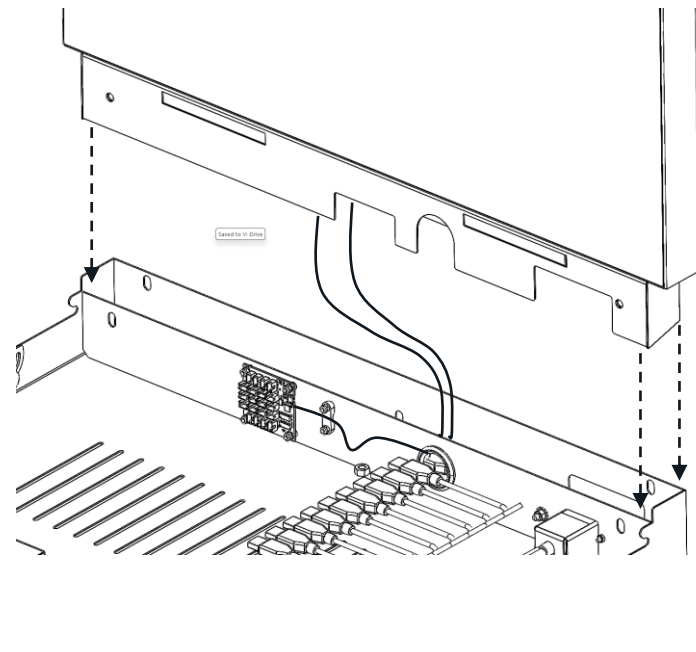
13



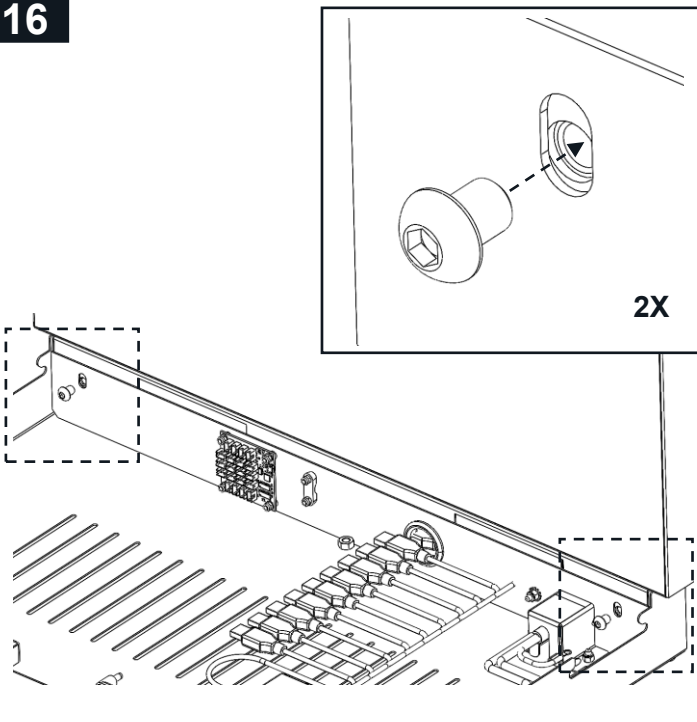
14



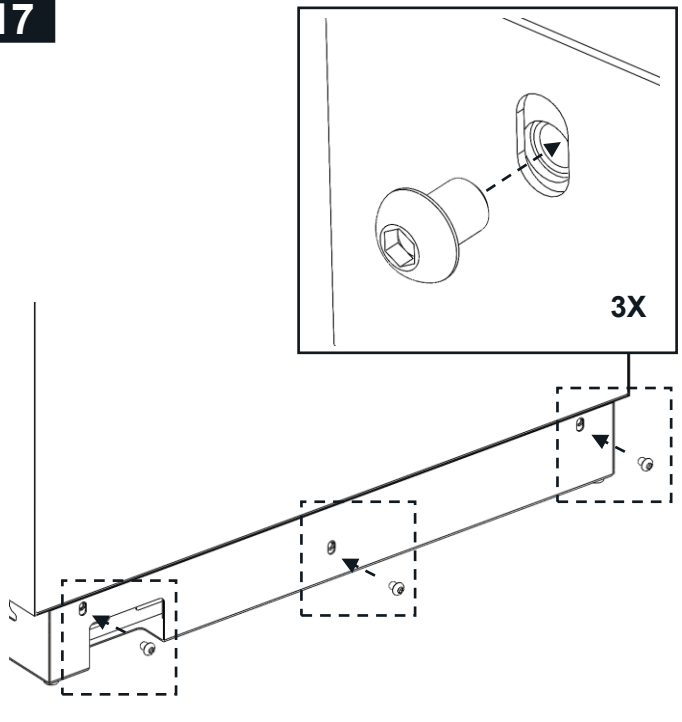
15



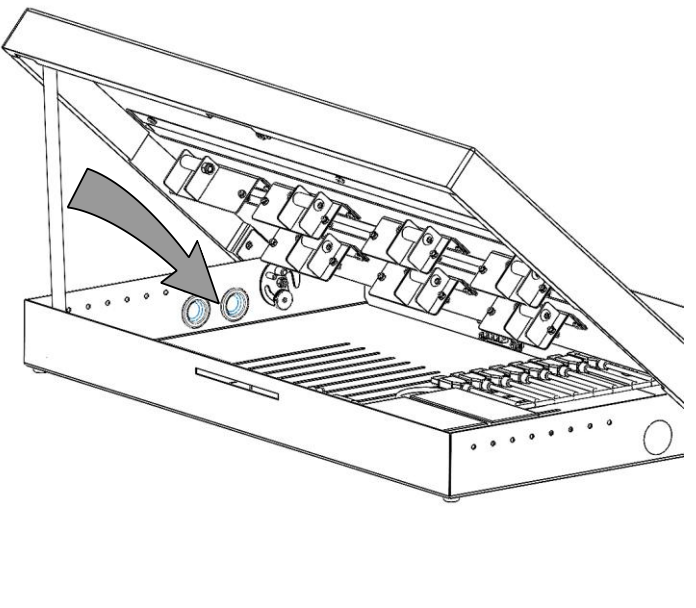
16



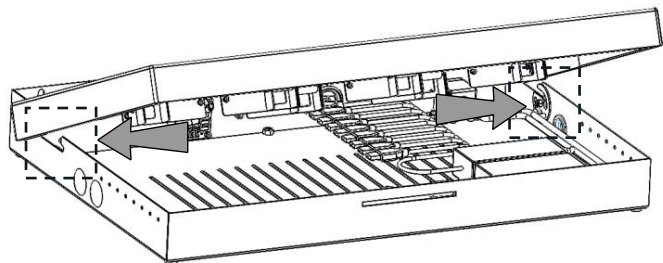
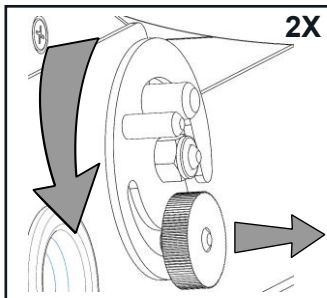
17



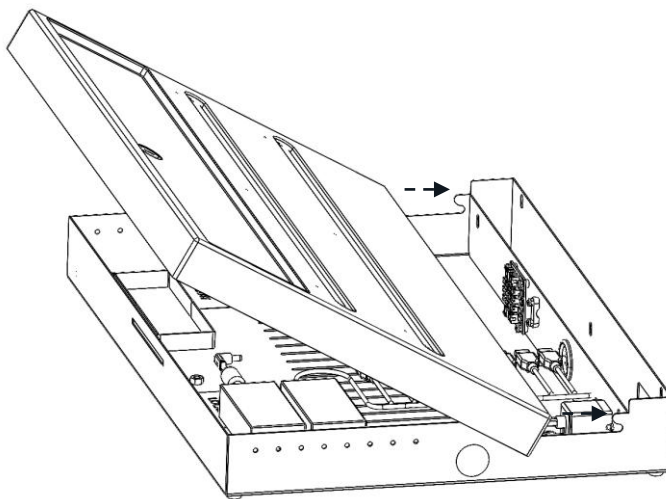
18



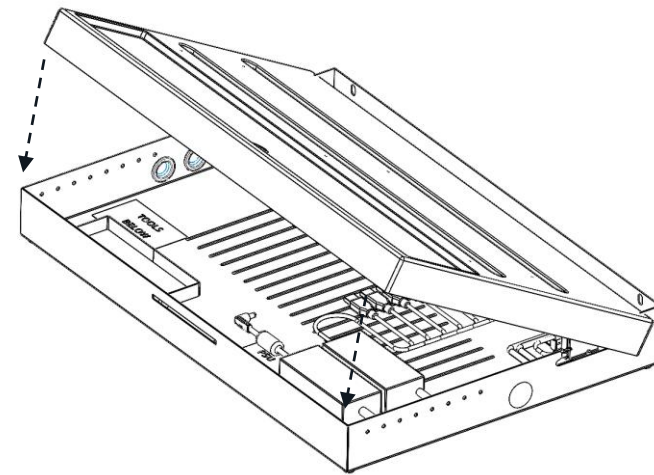
19



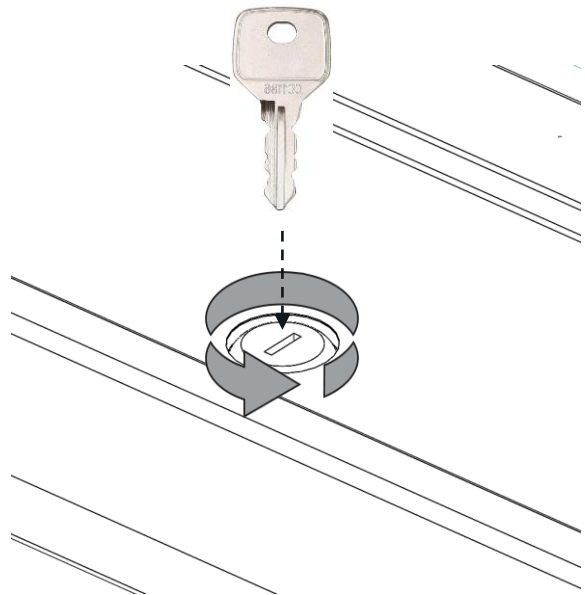
20



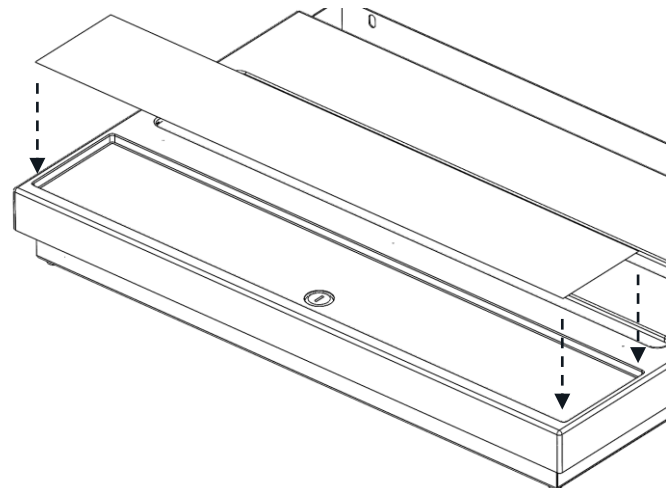
21



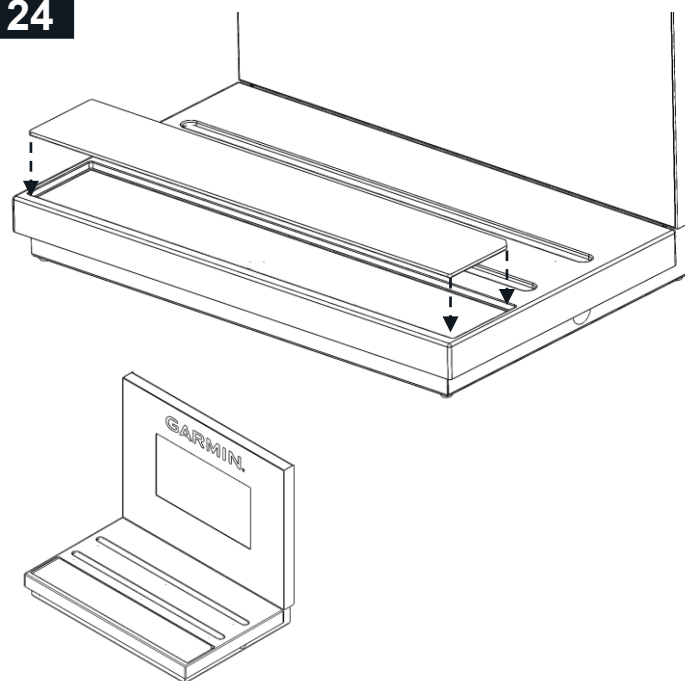
22



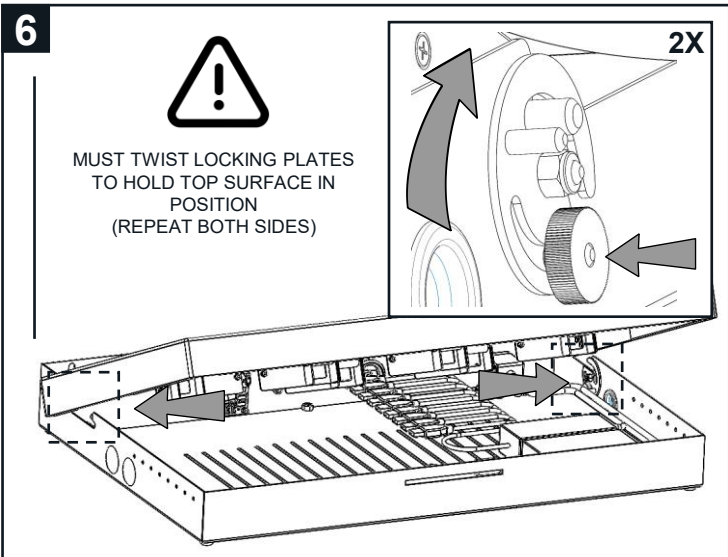
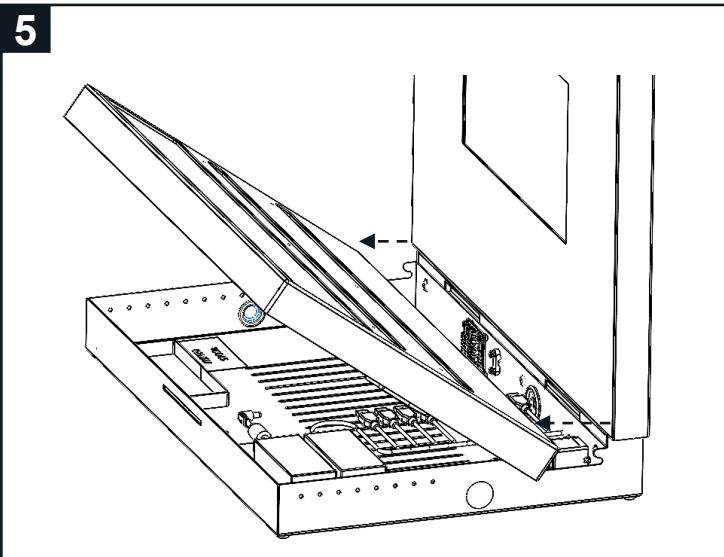
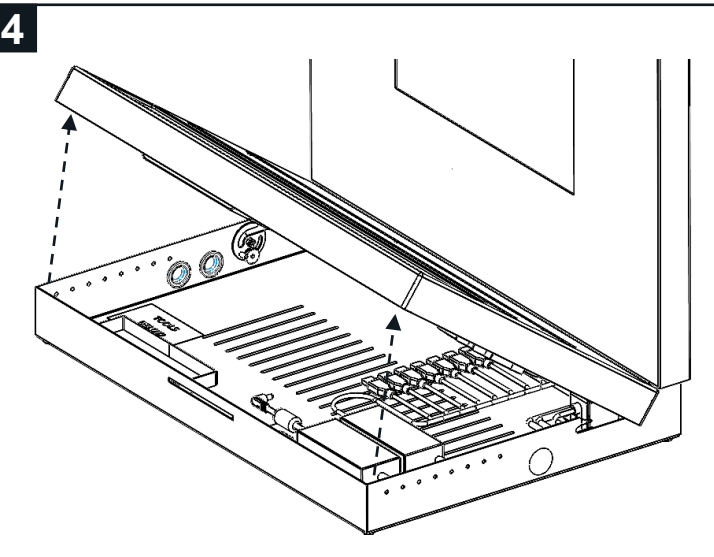
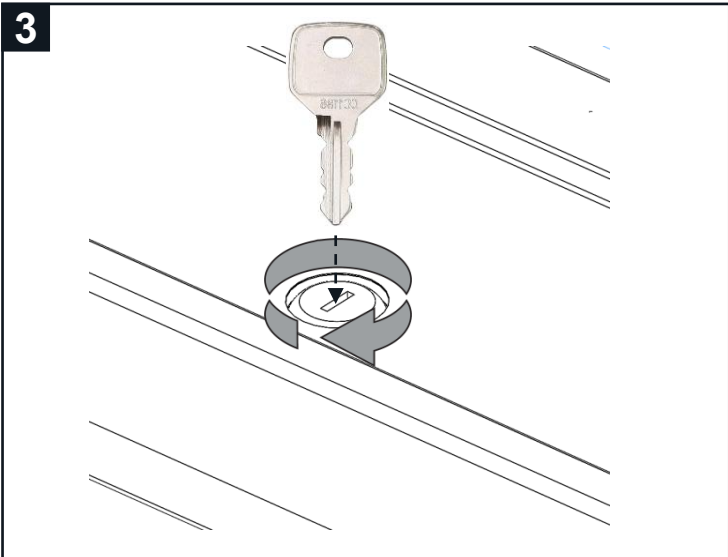
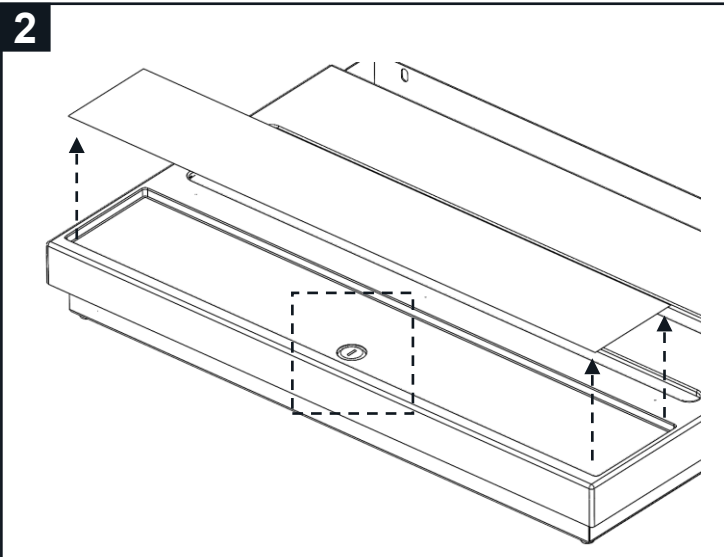
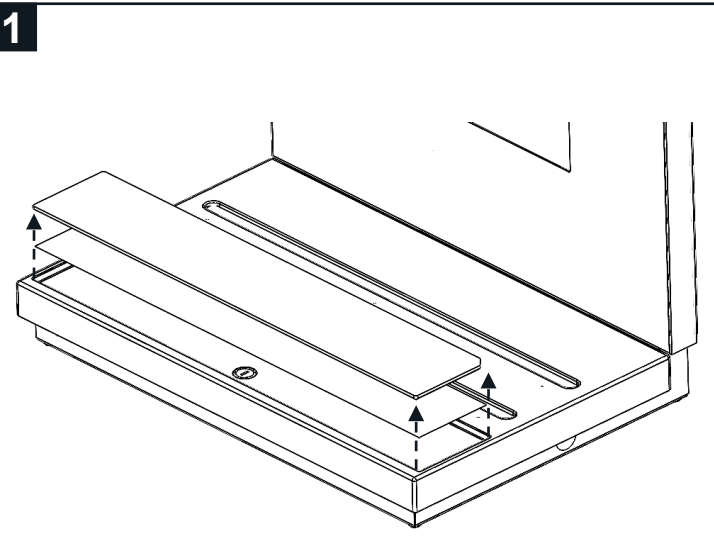
23



24



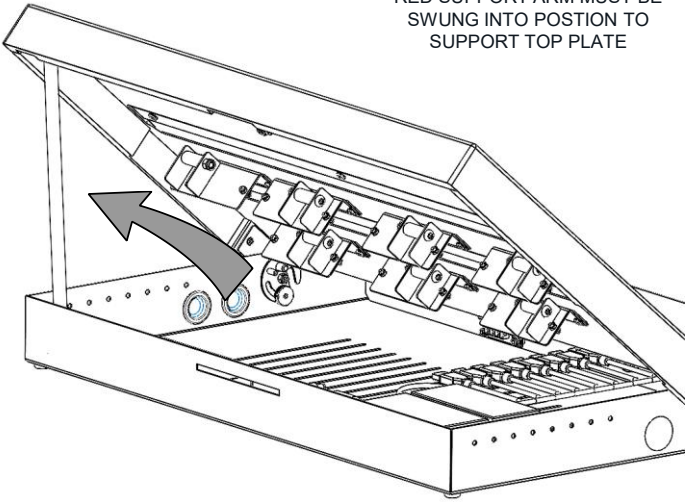
Fitting security to your CTU



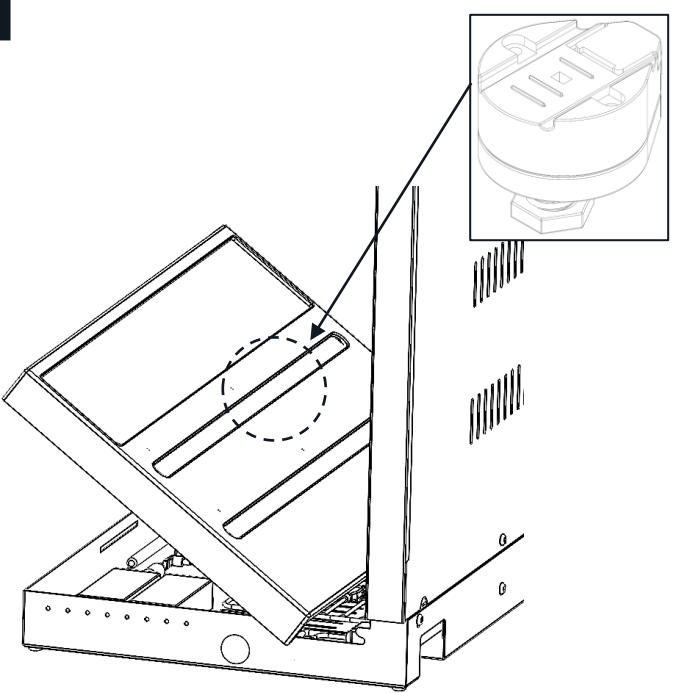
7



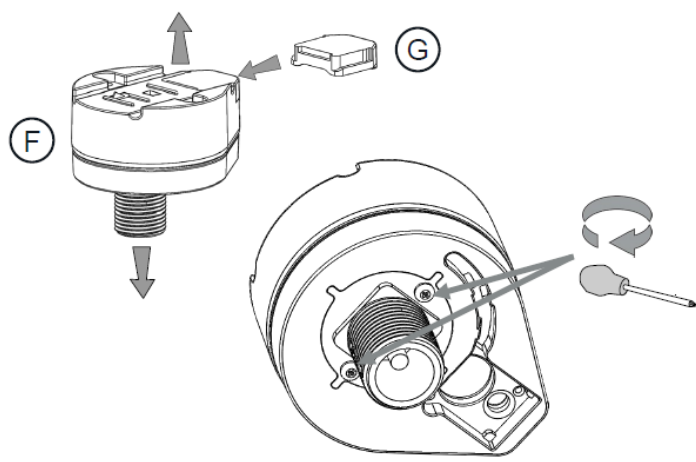
RED SUPPORT ARM MUST BE SWUNG INTO POSITION TO SUPPORT TOP PLATE



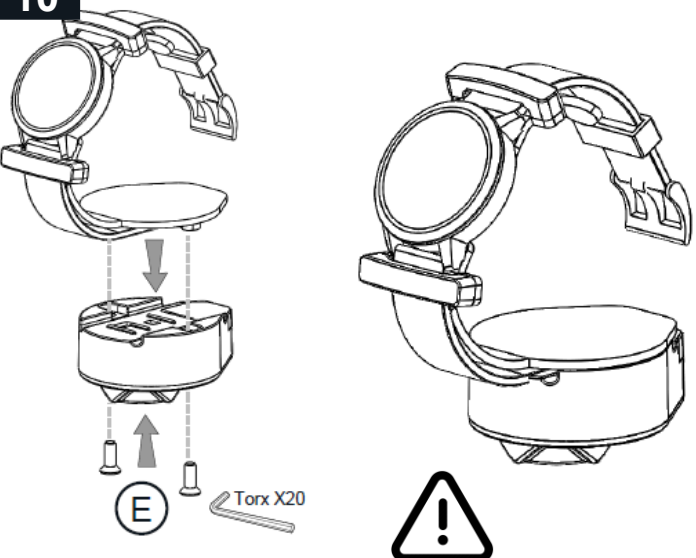
8



9

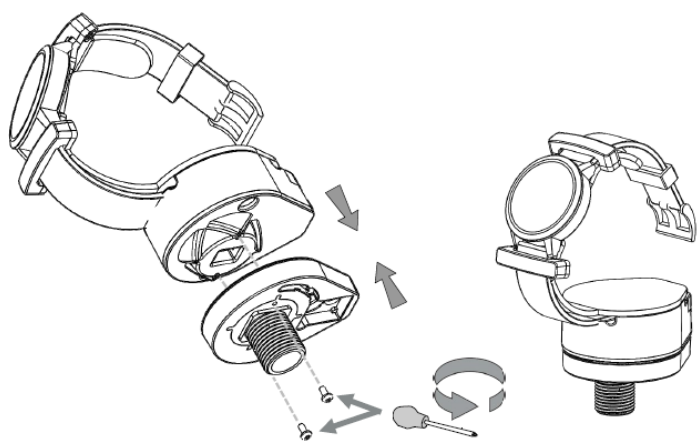


10



ON BRONZE FIXED CRADLES IT IS IMPORTANT THAT THE METAL CRADLE IS FITTED TO THE TOP SECTION OF THE PLASTIC POST FIRST, BEFORE MOUNTING ONTO UNIT

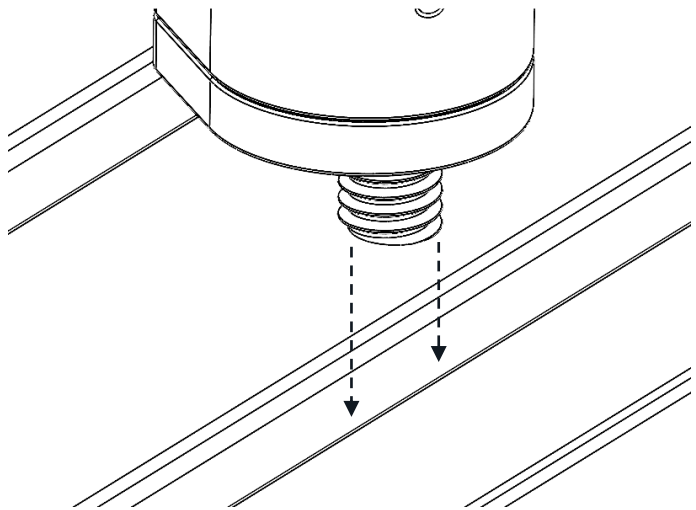
11

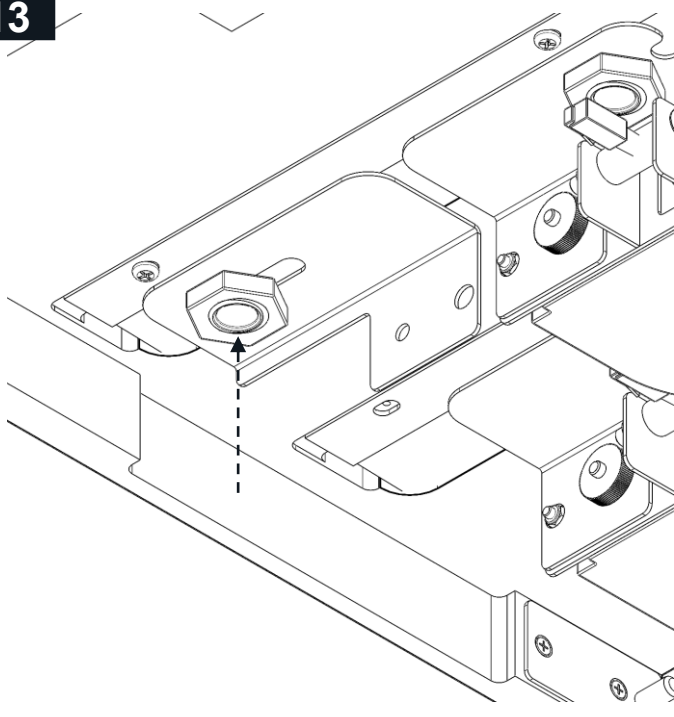
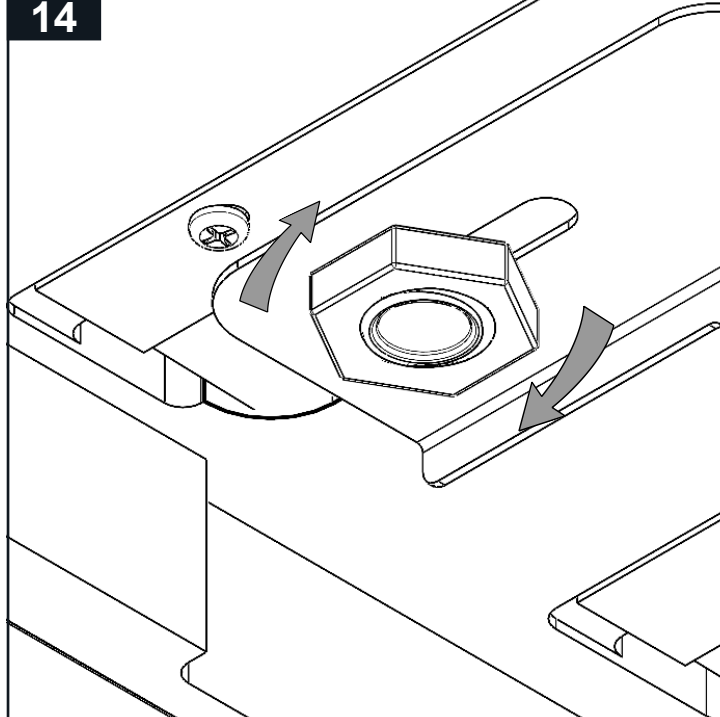
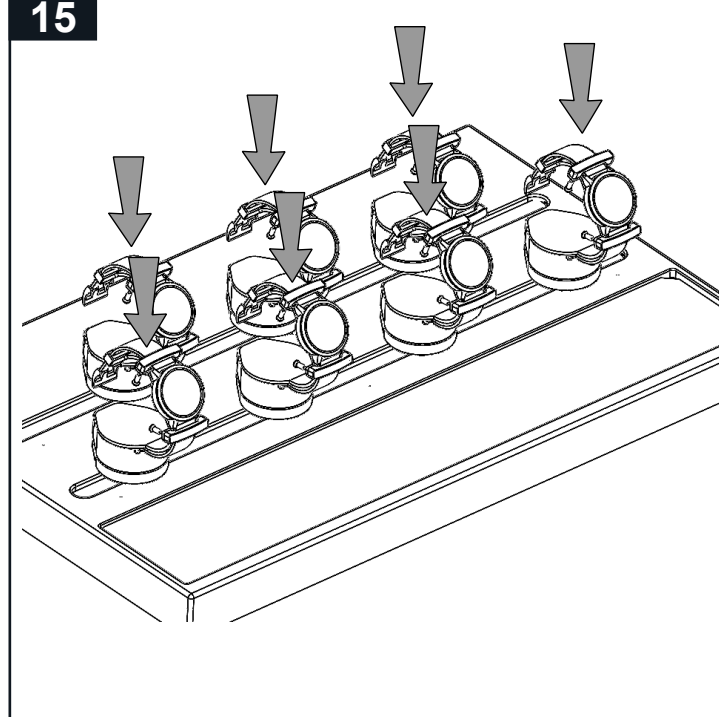
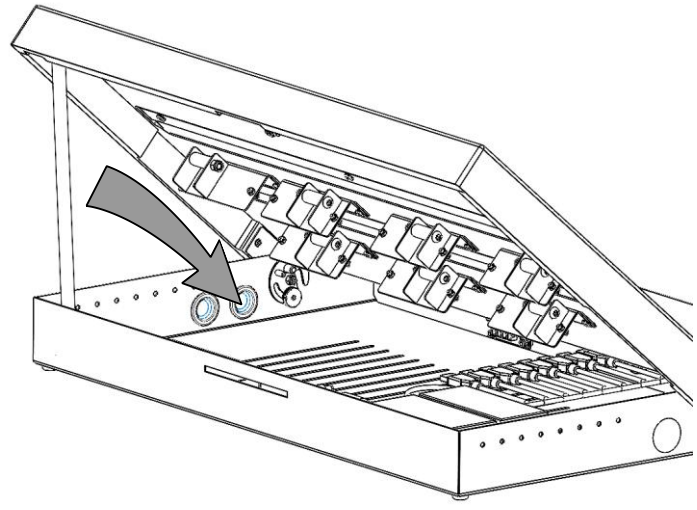
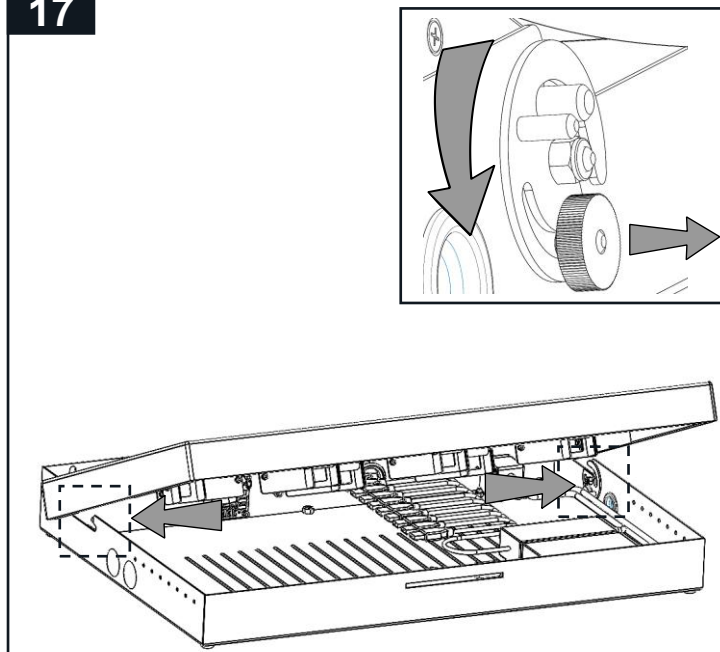
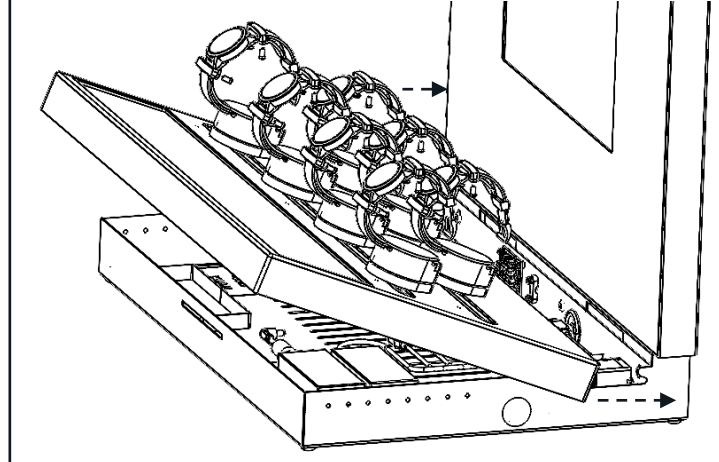


12

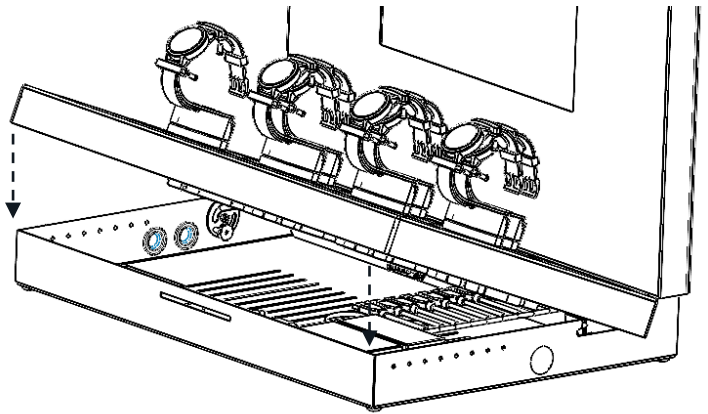
REPEAT THE FOLLOW PROCESS FOR ALL POSTS (NO. DEPENDING ON 400 OR 600 CTU)

7 OFF FOR 600MM
5 OFF FOR 400MM

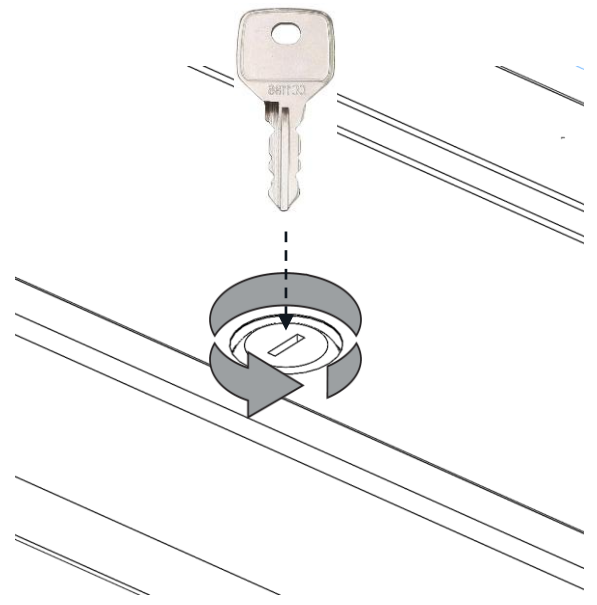


13**14****15****16****17****18**

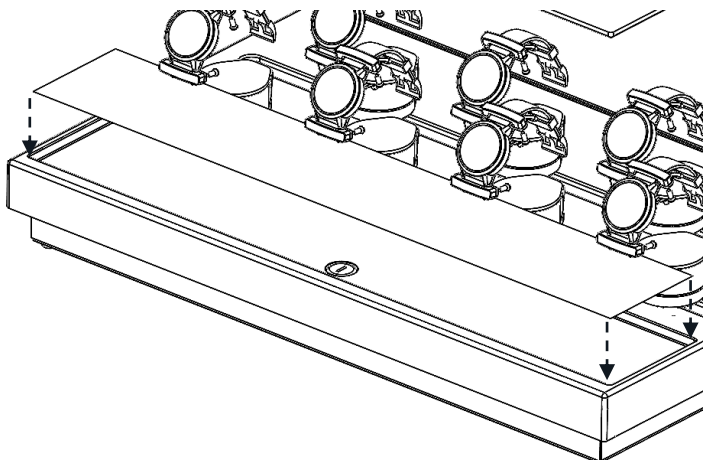
19



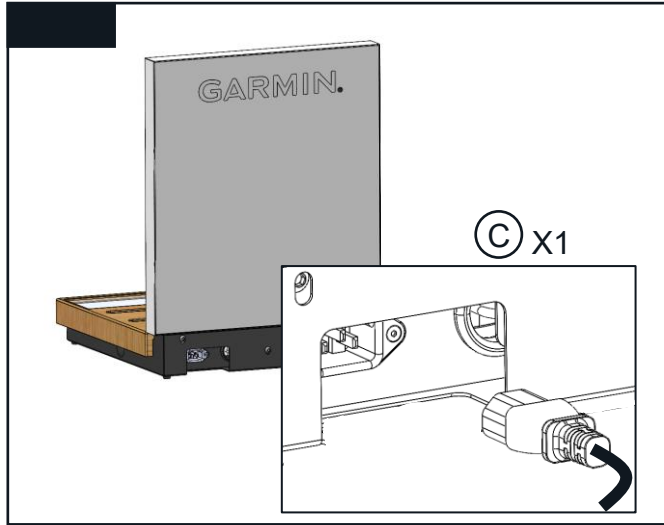
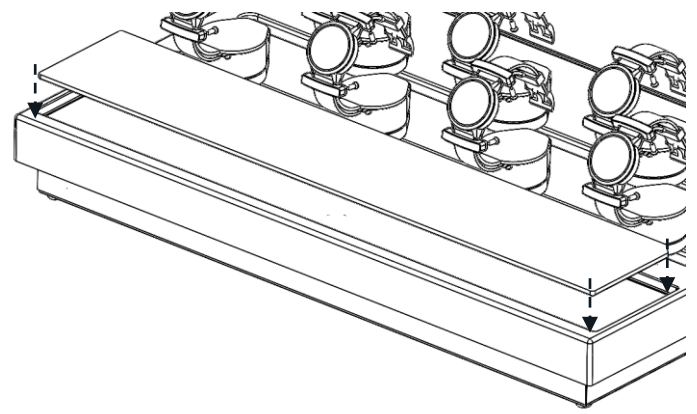
20



21



22



Bronze Security
Fixed posts only
Positions 1-7





10-way PSU power loom

Screen PSU

****IMPORTANT****

**Your displays come loaded with default video content, this is not lift and learn.
Lift and learn content must be loaded locally to match your store planogram.**

**This guide is for loading content when the screens are not connected to the internet
or our Connie content management platform**

Content Loading

1. Open the base of your unit & locate the content USB port.
2. Ensure display is turned on and the screen is working.
3. Insert USB stick into USB port



Insert USB into port inside base of unit or side of screen

To set-up content for your screen please refer to the following guide on the Garmin Portal

[New Garmin Offline Experiences App v1 – New Device Setup – Garmin](#)

Content Test

Check everything has been loaded correctly

1. Reboot the screen by un-plugging at the mains , check the app loads and idle video plays
2. Lift one product, check the content changes to correctly match the product lifted
3. Repeat with all products
4. Lift two products check the correct compare images display
5. Repeat with all products
6. Reboot display again by un-plugging at the mains, allow to re-boot and then process is complete

