

GARMIN

ACCESSORIES CTU - 400

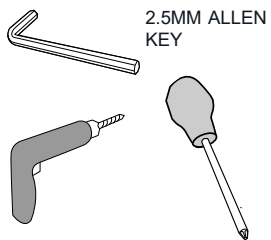
P12674 | 22/10/2025

**ASSEMBLY GUIDE**

**TOOLS REQUIRED – SUPPLIED**

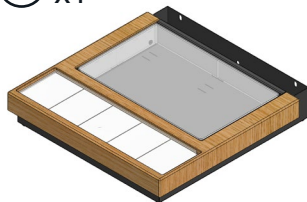


**TOOLS REQUIRED – NOT SUPPLIED**

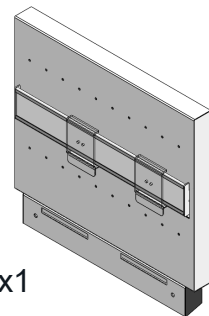


**Parts**

(A) x1



(B) x1



(C) x20  
M3x6MM BUTTON HEAD BZP

(D) x4  
WOODSCREW AB NO.6X3/8" PAN POZI

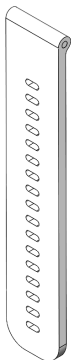
(E) x5  
M6x8MM BUTTON HEAD BLACK

(F) x10

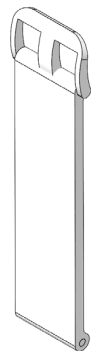
**1 SEPARATE WATCH STRAPS FOR MOUNTING TO HEADER**



x2  
DUMMY  
WATCH FACE



x5

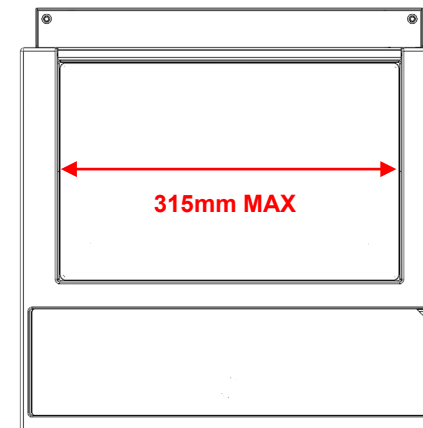
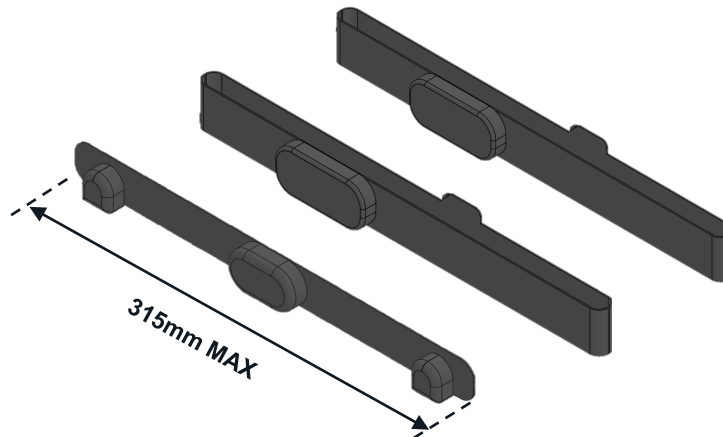


x5

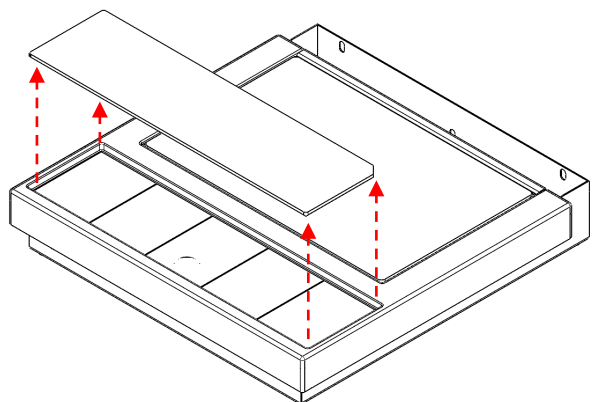


**MUST USE DUMMY WATCH – DO NOT DRILL LIVE PRODUCT**

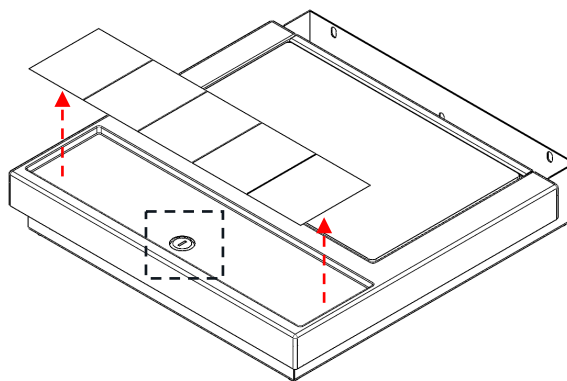
**2 BEFORE STARTING ASSEMBLY, ENSURE PRODUCT GOING INSIDE BASE IS TIGHTNED TO APPROPRIATE WIDTH WHEN LAID FLAT.**



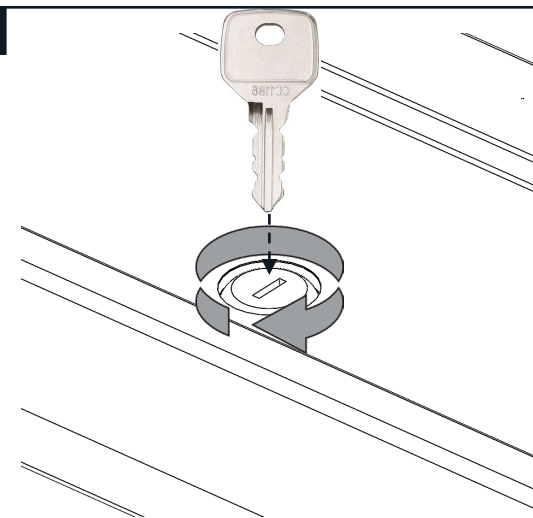
**3**



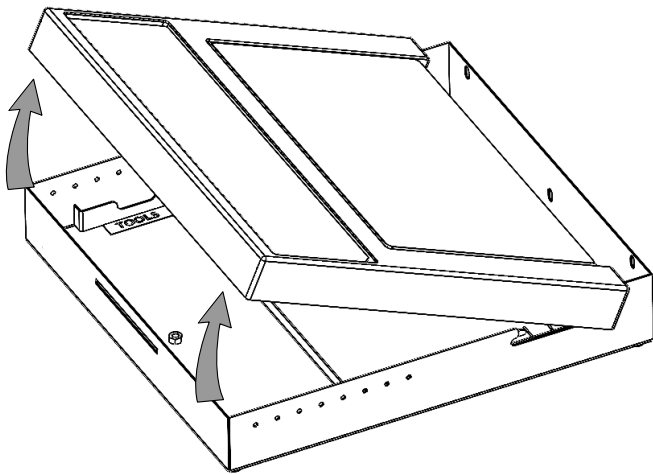
**4**



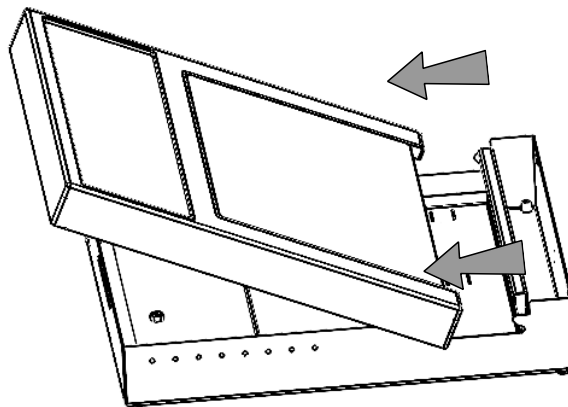
**5**



6



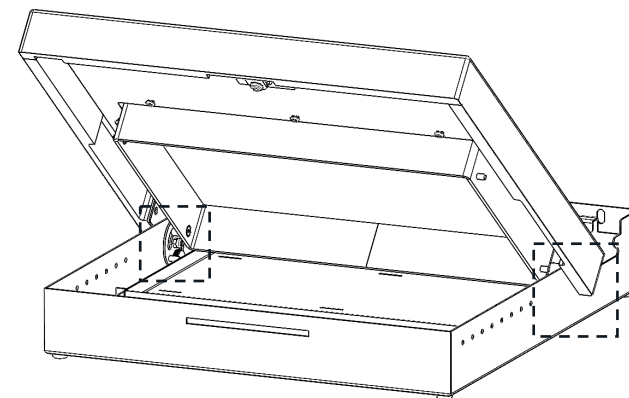
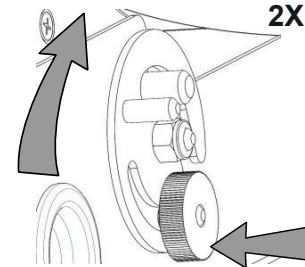
7



8



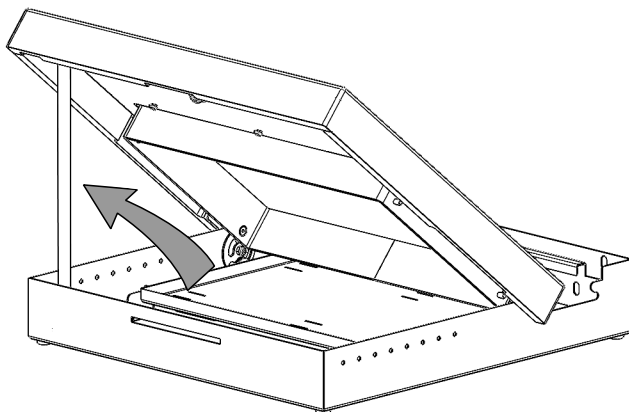
MUST TWIST LOCKING PLATES  
TO HOLD TOP SURFACE IN  
POSITION  
(REPEAT BOTH SIDES)



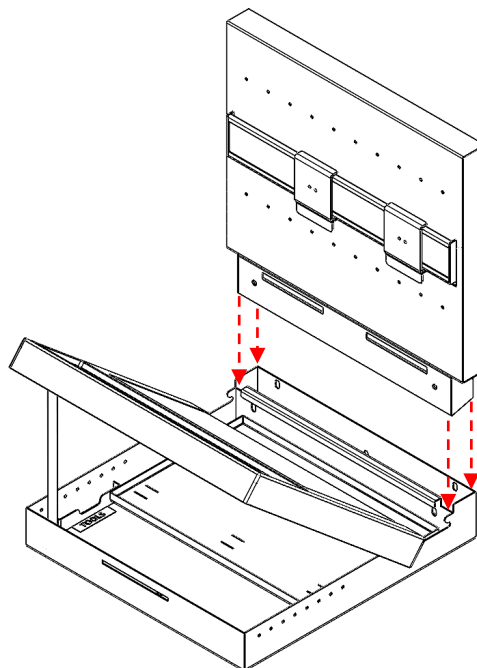
9



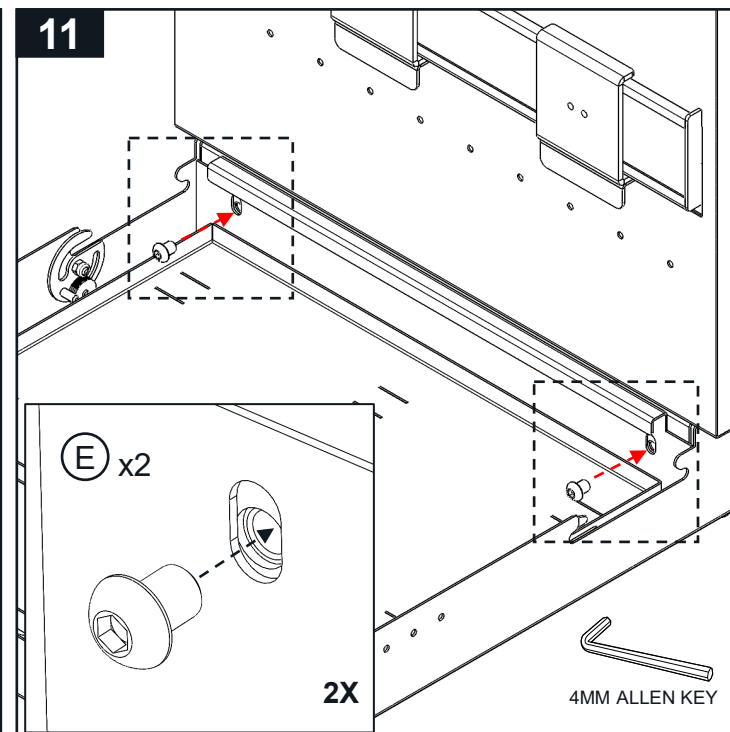
RED SUPPORT ARM MUST BE  
SWUNG INTO POSITION TO  
SUPPORT TOP PLATE



10

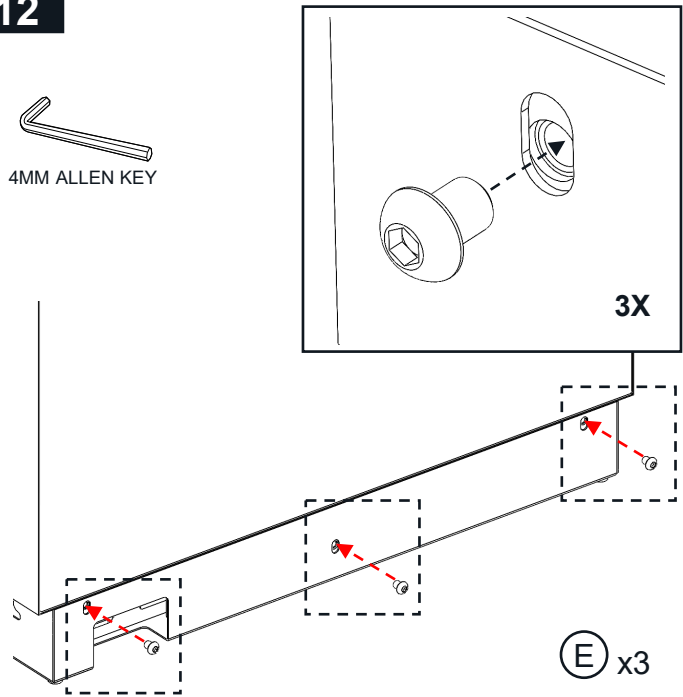


11



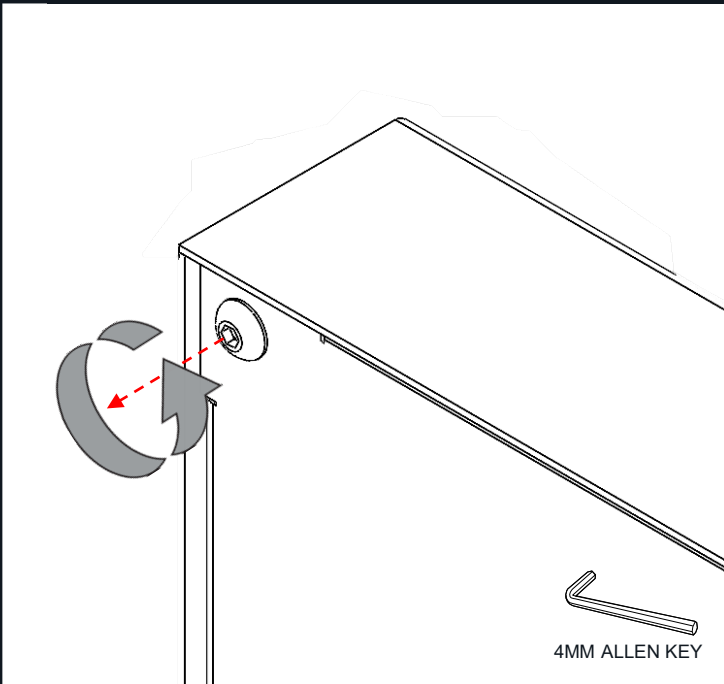
12

4MM ALLEN KEY

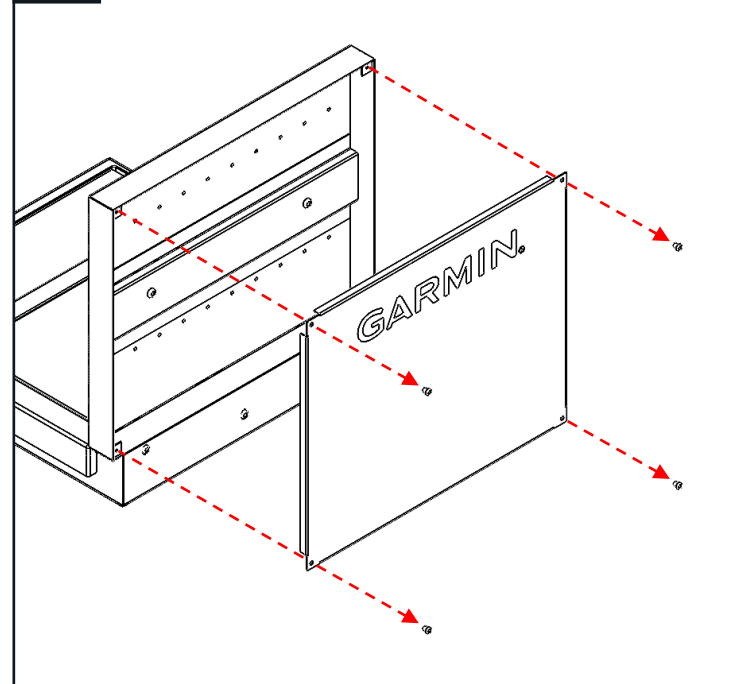


13

ADDING STRAPS TO HEADER

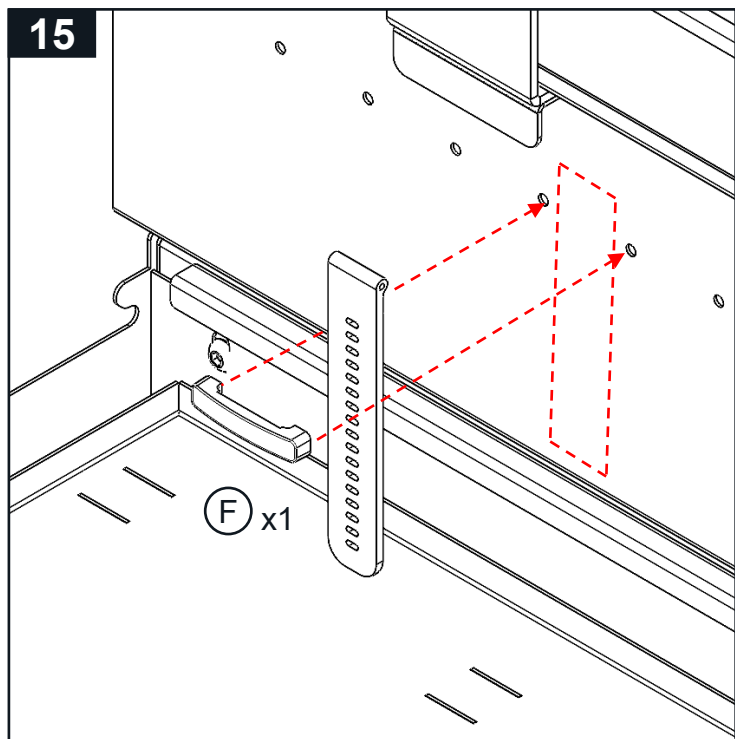


14



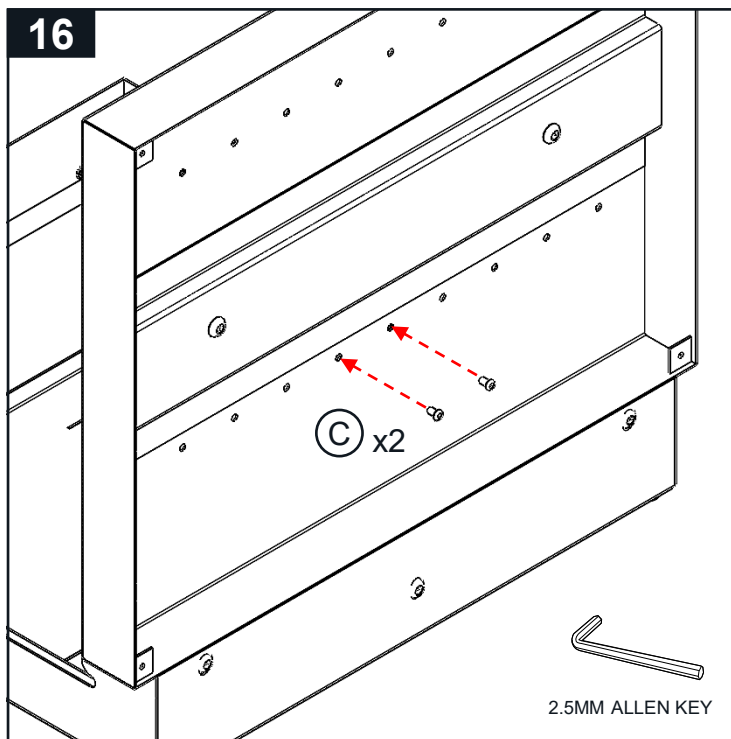
15

F x1



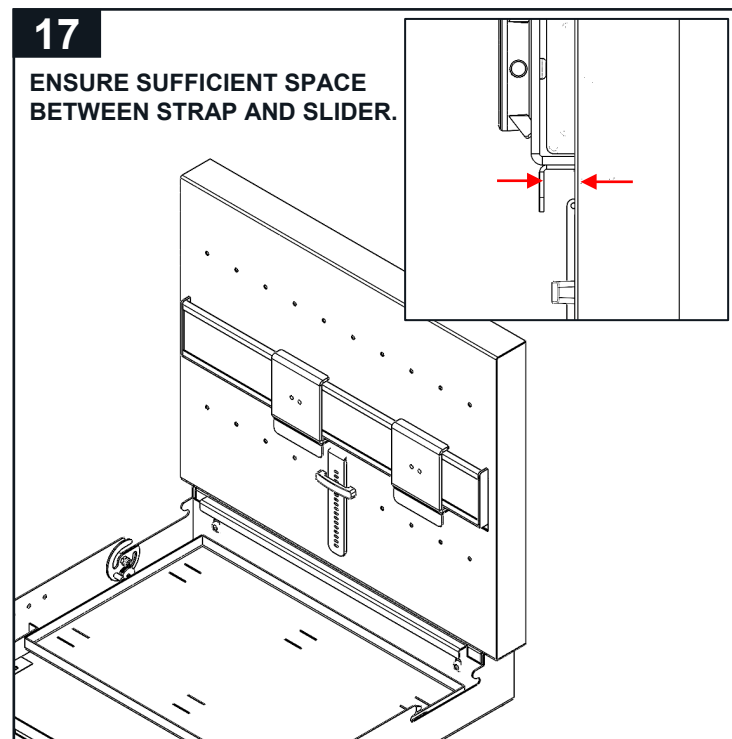
16

C x2



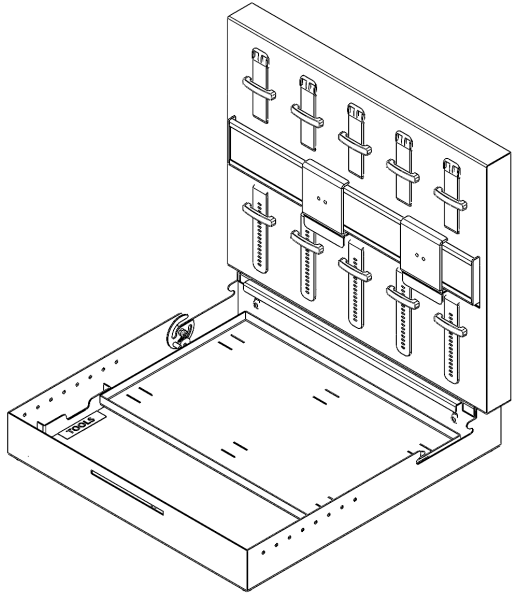
17

ENSURE SUFFICIENT SPACE BETWEEN STRAP AND SLIDER.

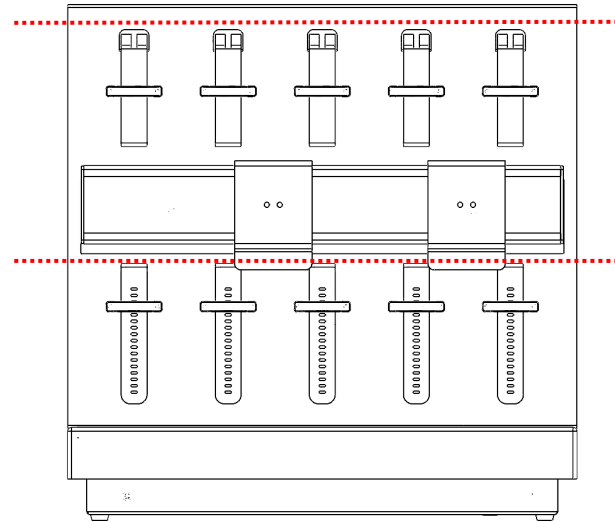


**18**

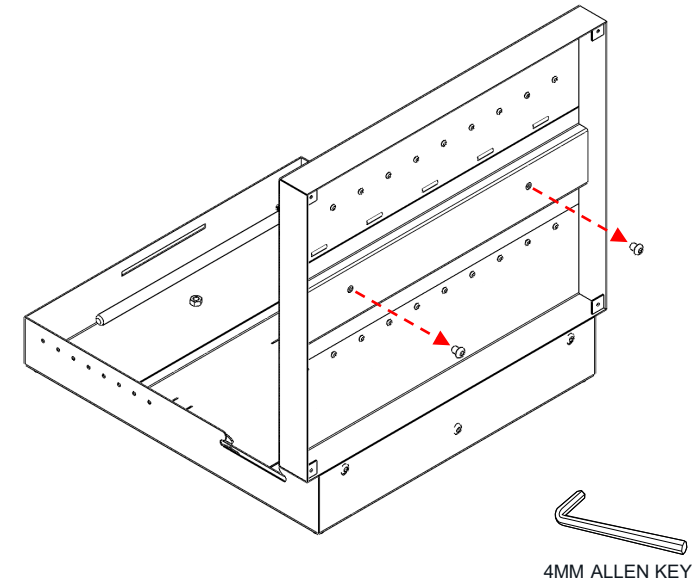
REPEAT x9 FOR OTHER WATCH STRAPS. THE CLASP OF STRAP SHOULD ALWAYS BE TOWARDS THE TOP OF THE HEADER.

**19**

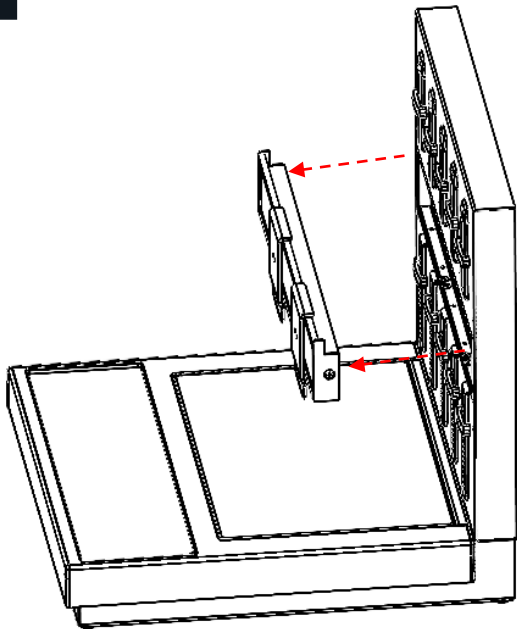
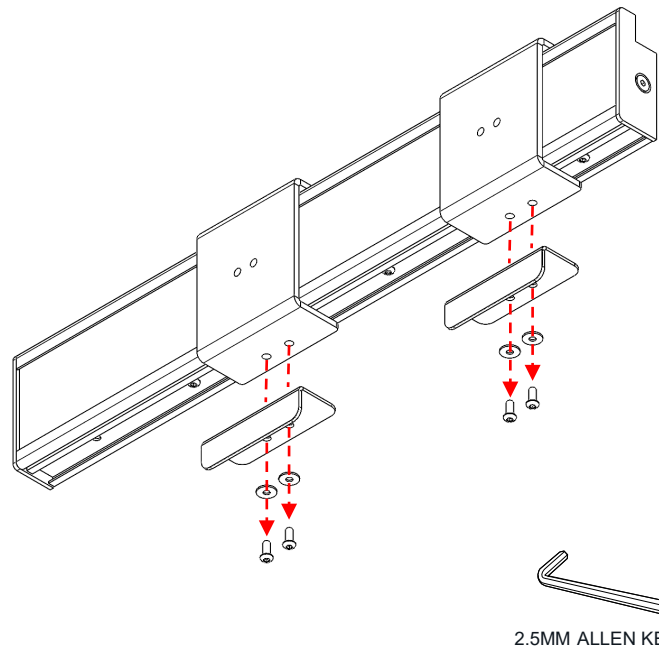
ENSURE STRAPS ARE LEVEL.

**20**

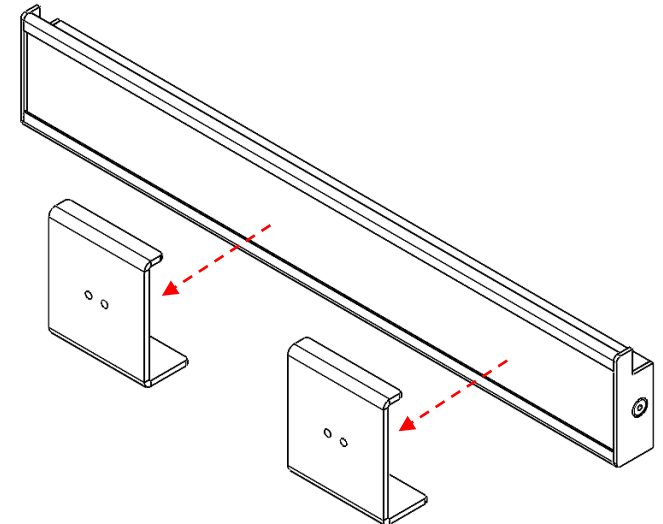
ADDING DUMMY FACE TO SLIDER



4MM ALLEN KEY

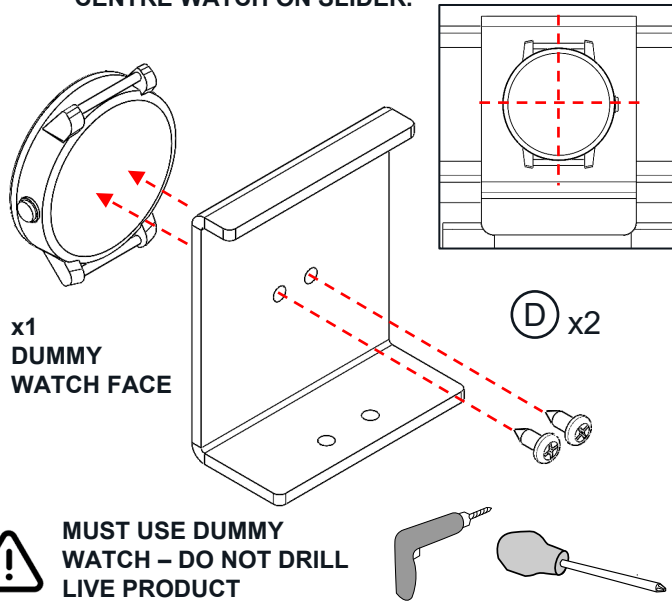
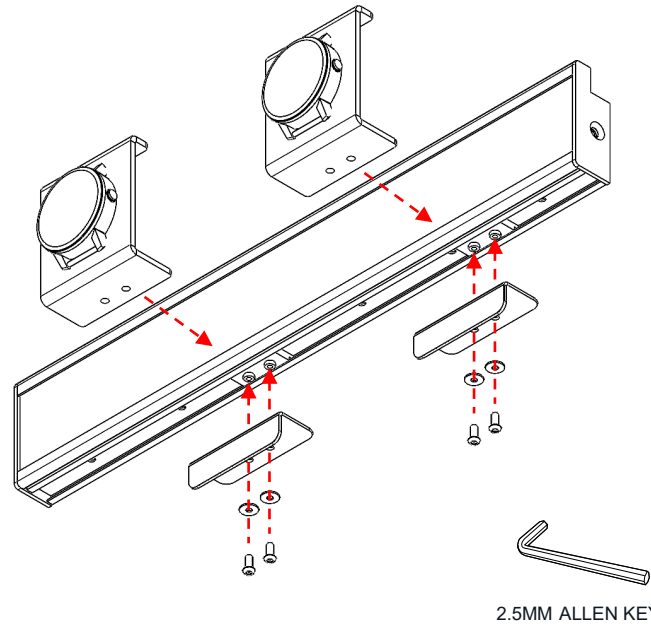
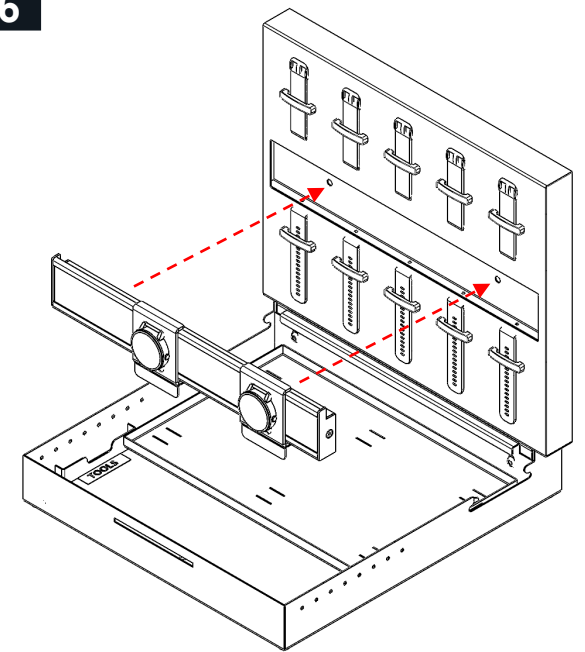
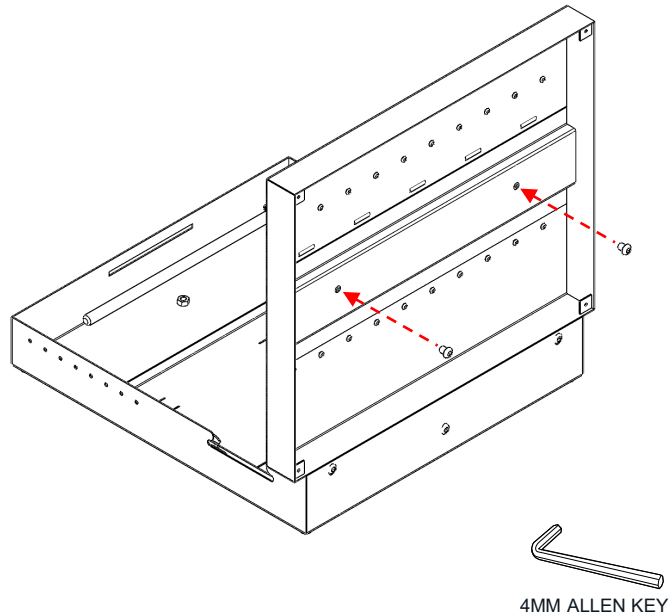
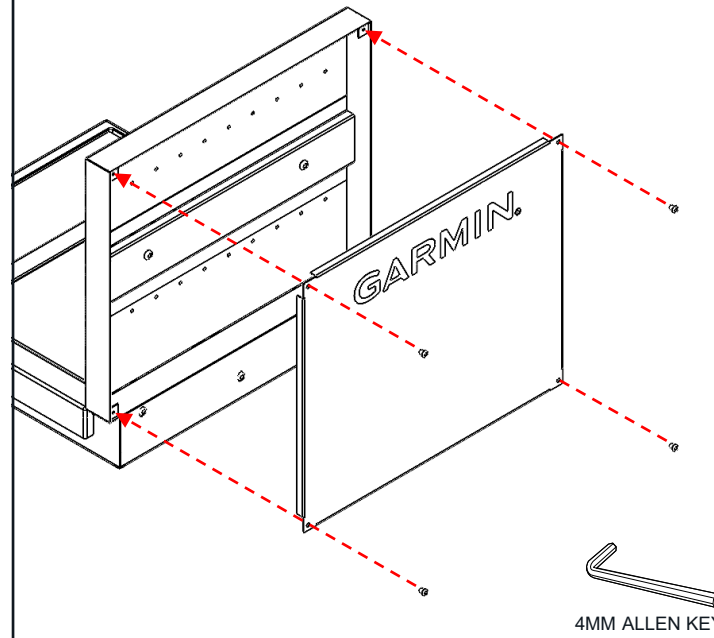
**21****22**

2.5MM ALLEN KEY

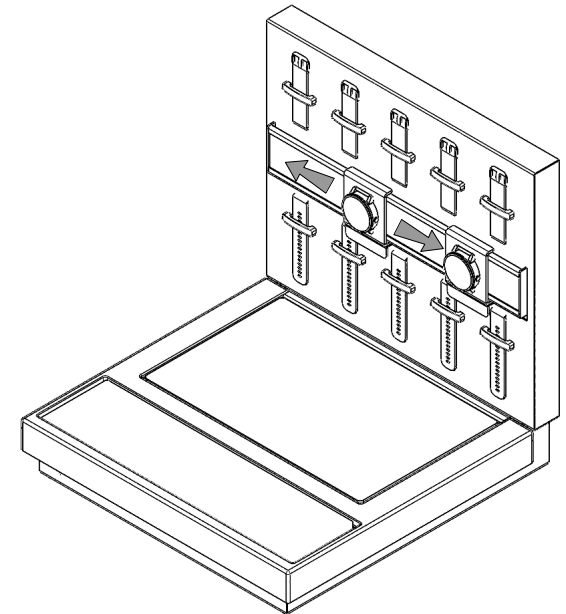
**23****GARMIN**

**24**

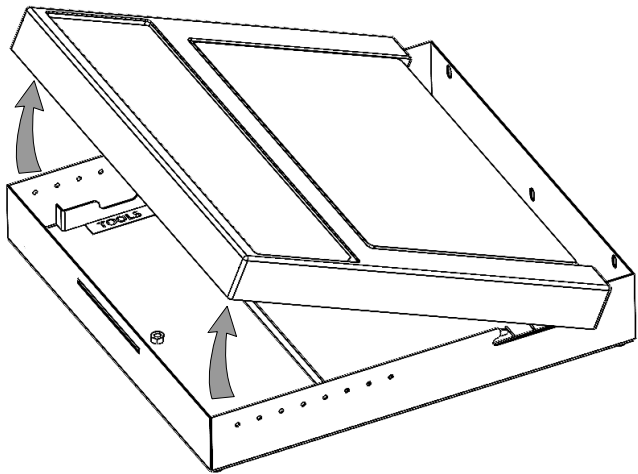
DRILL PILOT HOLES IN REAR OF WATCH.  
DO NOT DRILL THROUGH ALL – KEEP  
FRONT WATCH FACE UNTOUCHED.  
CENTRE WATCH ON SLIDER.

**x2****25****26****27****28****29**

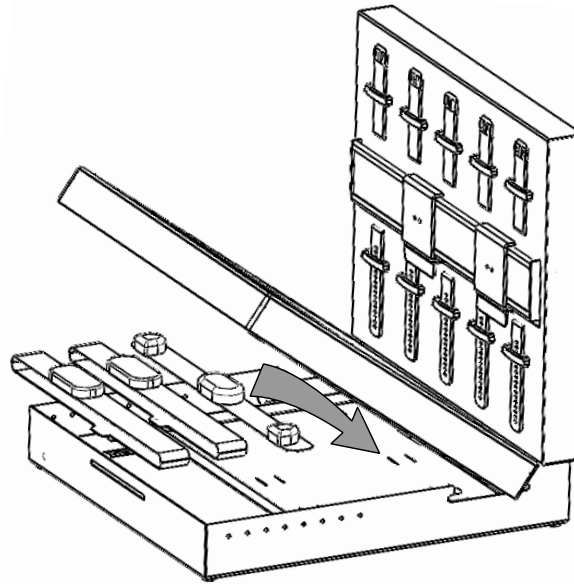
CHECK BOTH SLIDERS CAN MOVE FREELY AND  
ALL STRAPS ARE SECURED IN PLACE.



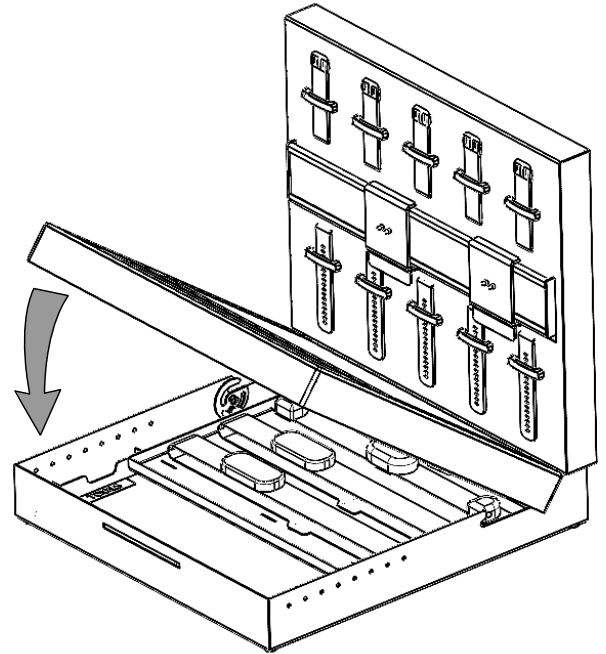
**30** ADDING PRODUCT TO BASE TRAY



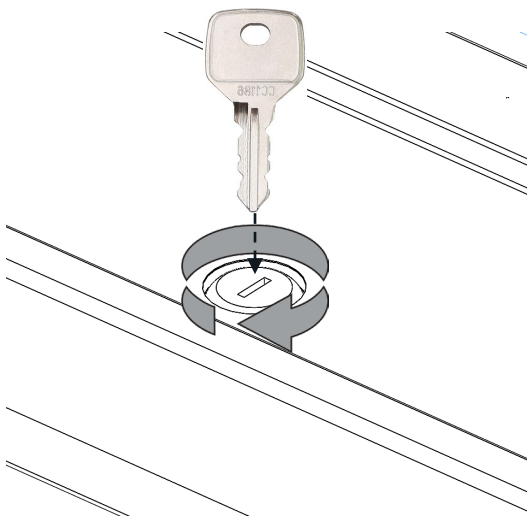
**31**



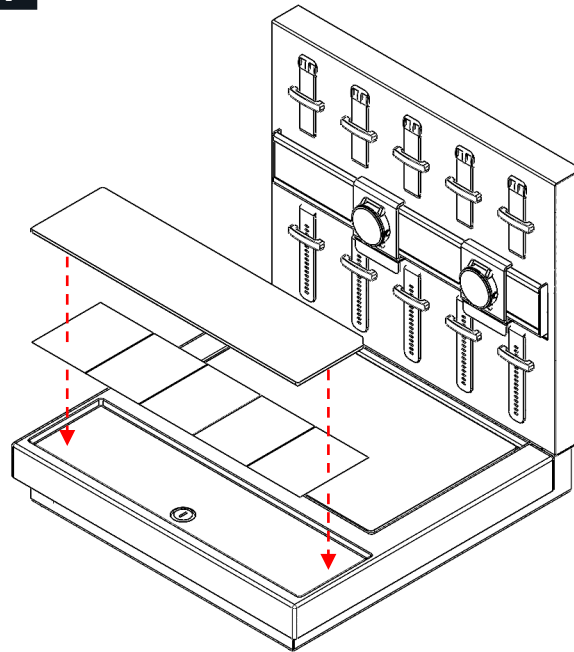
**32**



**33**



**34**



**35**

