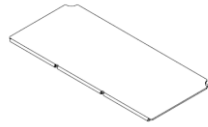
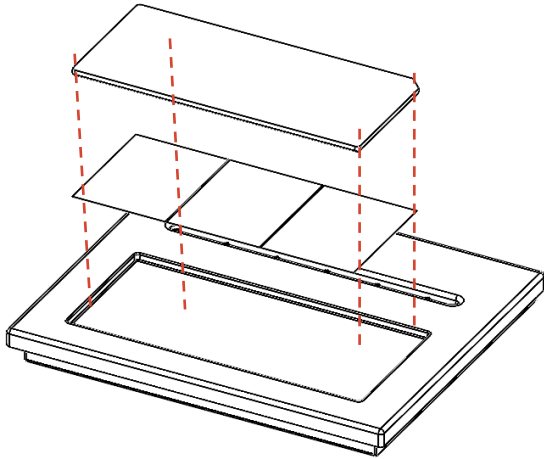


A

x1 Folded lenses
with D/S tape

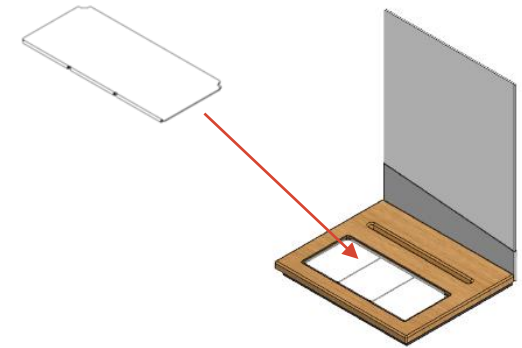
- 1** Remove the former lenses with its printed product cards



- 2** Wipe clean the base of the CTU with a dry cloth before you apply the new lenses with D/S tape. Please remove the protective tape from the D/s tape before application.

Fit the product cards inside the folded sleeve

- 3** A x1



- 4** Please dispose of the former acrylic lenses safely in your recycling bin.