

GARMIN

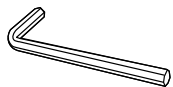
BLAZE MINI PLINTH

P13166

15/08/2025

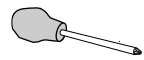
INSTALL GUIDE

TOOLS REQUIRED – SUPPLIED



T20 SECURITY TORX KEY

TOOLS REQUIRED – NOT SUPPLIED

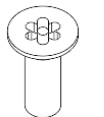
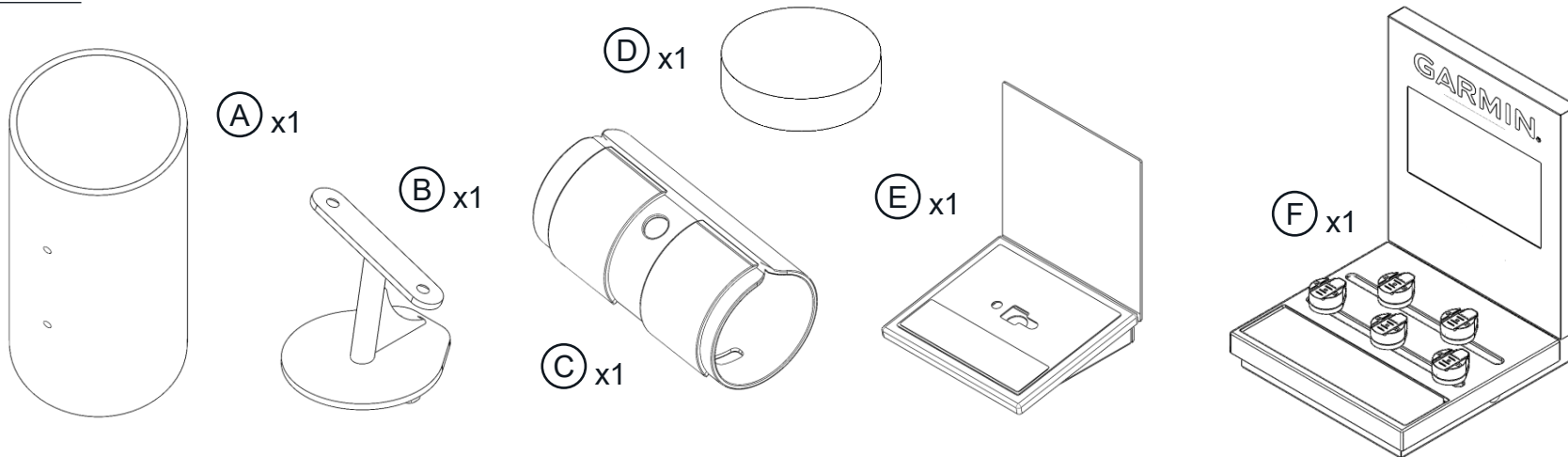


PHILLIPS SCREWDRIVER



CTU KEY

Parts



① x2

M4x12MM T20 SECURITY TORX CSK HEAD



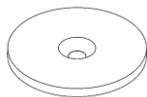
② x2

M4x12MM T20 SECURITY TORX BUTTON HEAD



③ x2

M4 WASHER



④ x2

MINI PLINTH WASHER



⑤ x2

M4x25MM CSK T20 SECURITY SCREW



⑥ x2

M4x15MM THUMB SCREW

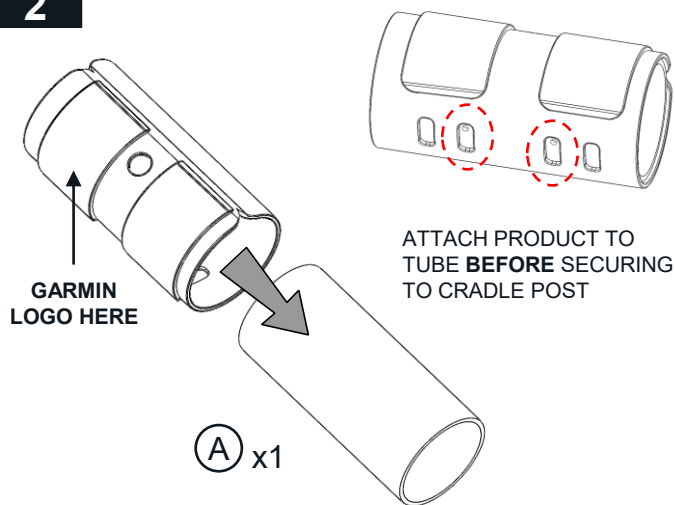
1 ADDING PRODUCT TO CRADLE



④ x1

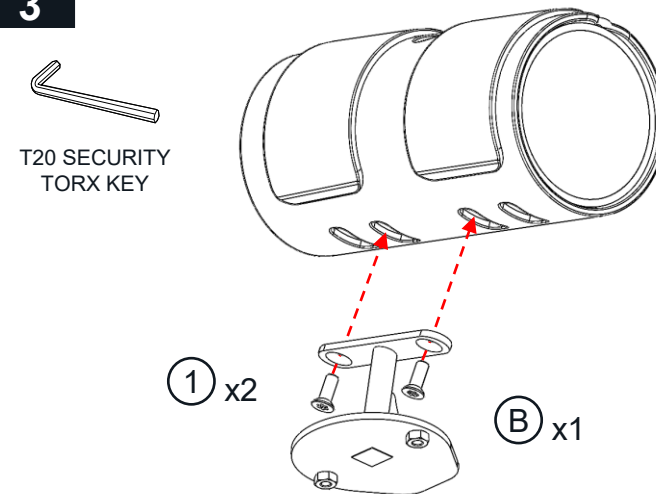
REPLACE PRODUCT WITH DUMMY POD

2



① x1

3

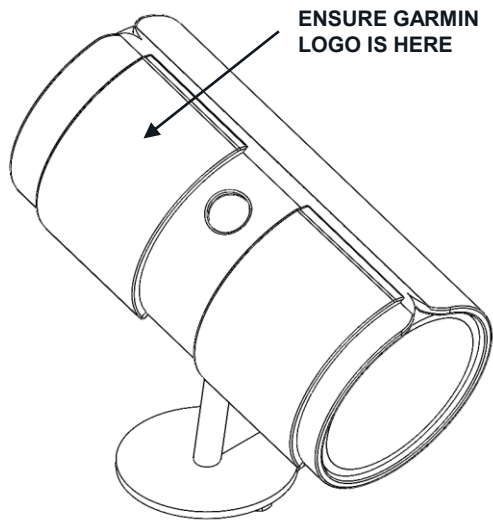


① x2

② x1

T20 SECURITY TORX KEY

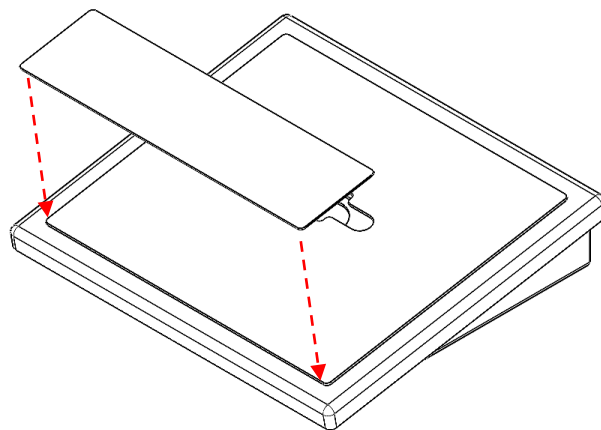
4



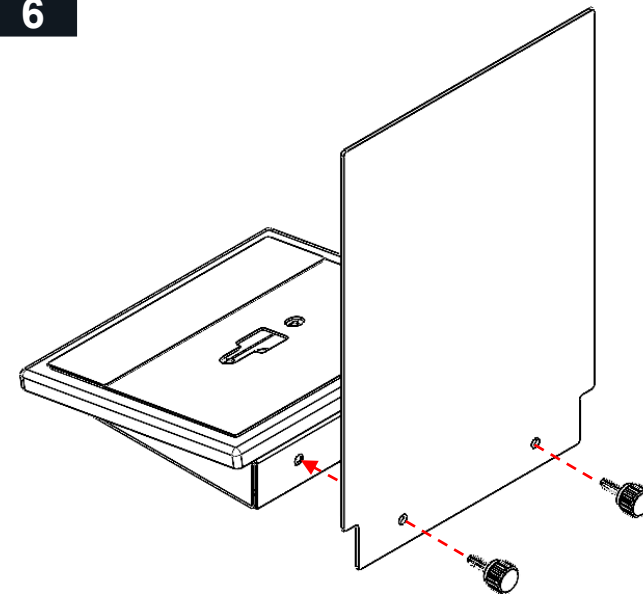
5

MINI PLINTH GRAPHICS

MAG / PHOTOTEX GRAPHIC MUST ALIGN WITH THE CORNERS OF THE MINI PLINTH METALWORK

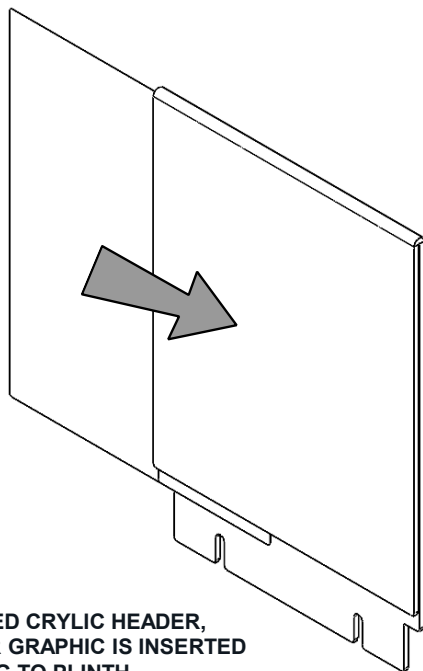


6



THUMBSCREWS CAN BE USED WITH HIPS OR FOLDED ACRYLIC HEADER

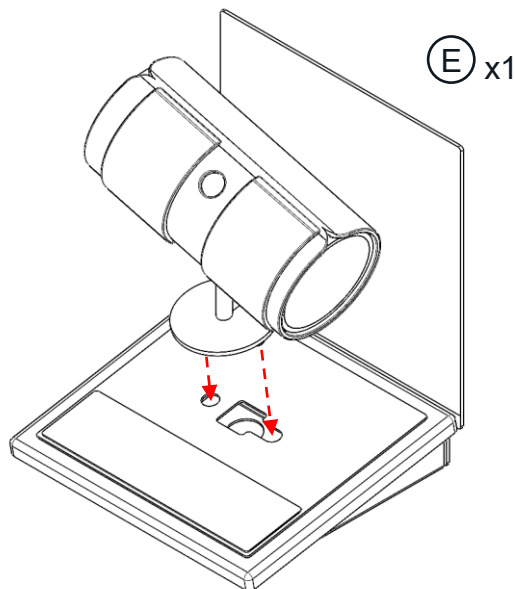
7



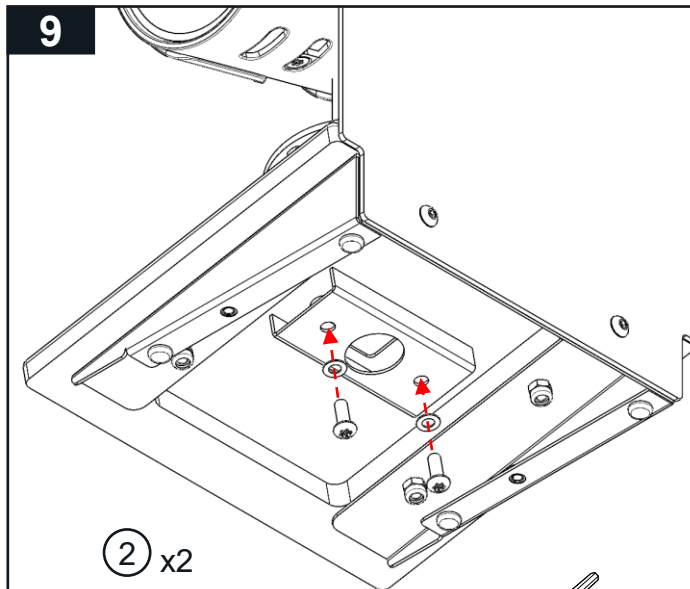
IF USING FOLDED ACRYLIC HEADER, ENSURE PAPER GRAPHIC IS INSERTED BEFORE FITTING TO PLINTH

8

FITTING CRADLE TO MINI PLINTH

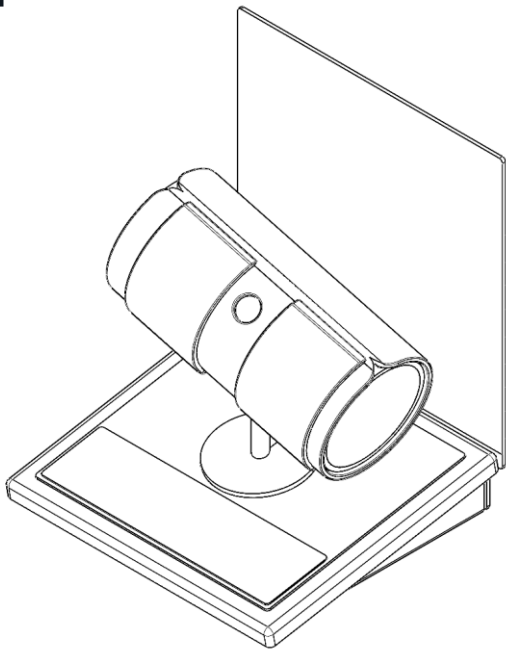


9



T20 SECURITY TORX KEY

10



11



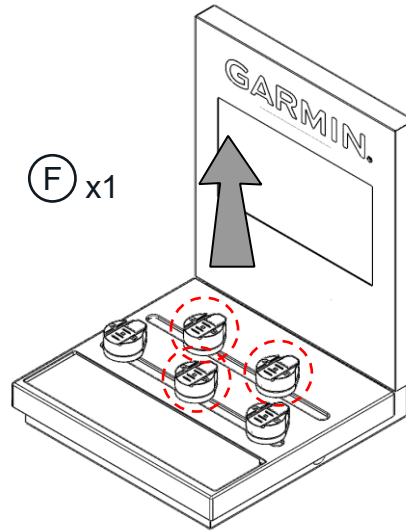
12



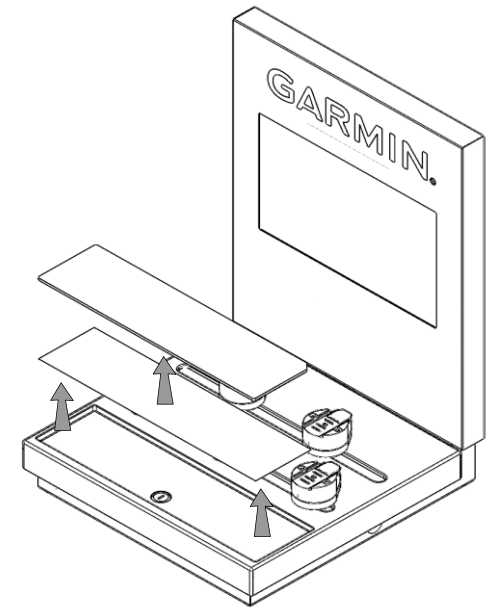
FURTHER STEPS ARE FOR
FITTING MINI PLINTH TO MID 2
CTUS – IF NOT REQUIRED,
INSTALL GUIDE STOPS HERE

13**FITTING TO CTU**

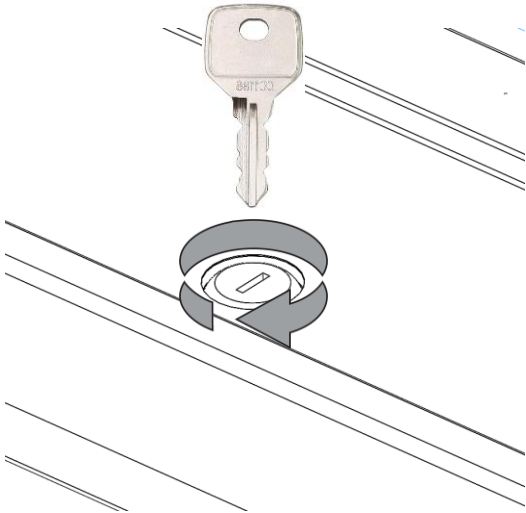
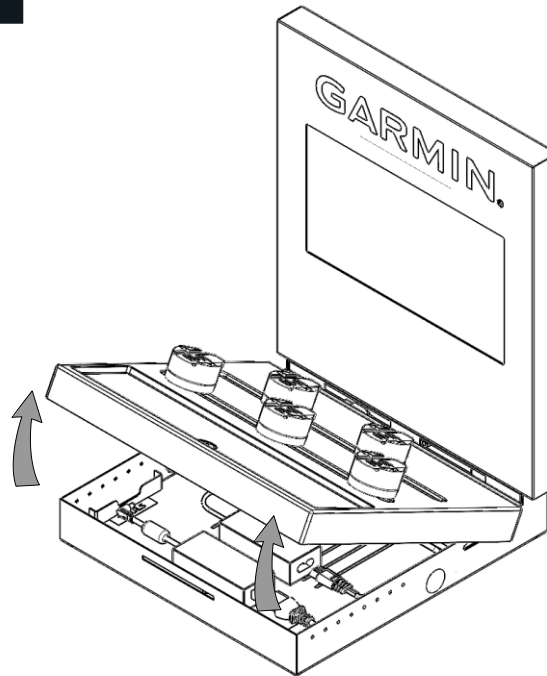
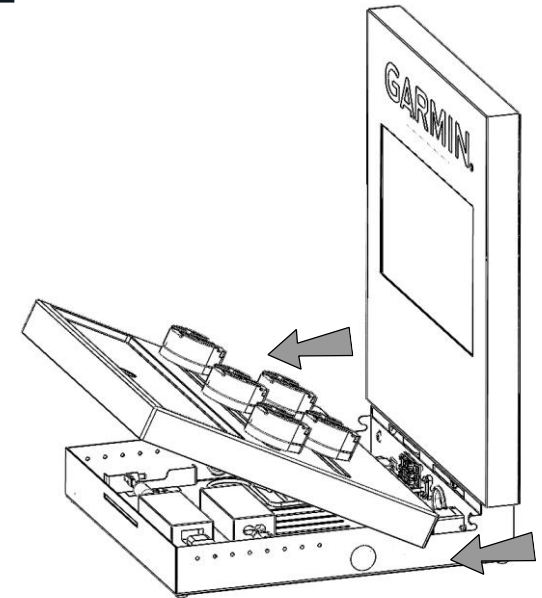
SHOWN ON MID 2 400 CTU – PLINTH CAN ALSO BE FITTED TO MID 2 600 CTU.
WORKS WITH ANY HEADER COMBINATION

**14**

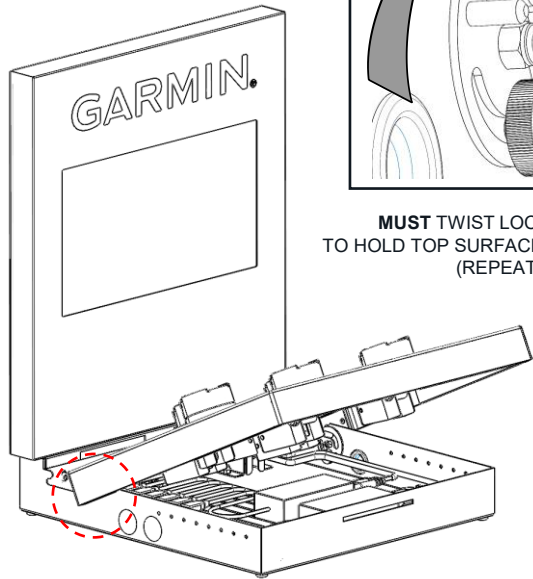
3x SECURITY MOUNTS NEED TO BE REMOVED
TO MAKE SPACE FOR MINI PLINTH

15

REMOVE PRODUCT INFO CARDS AND LENS

16**17****18**

19

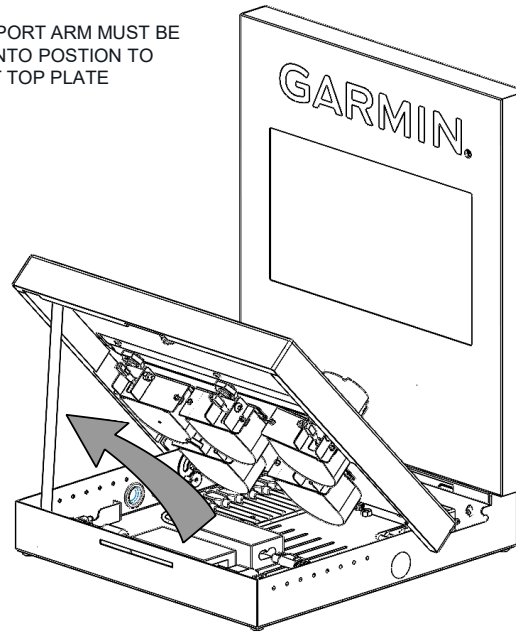


MUST TWIST LOCKING PLATES TO HOLD TOP SURFACE IN POSITION (REPEAT BOTH SIDES)

2X

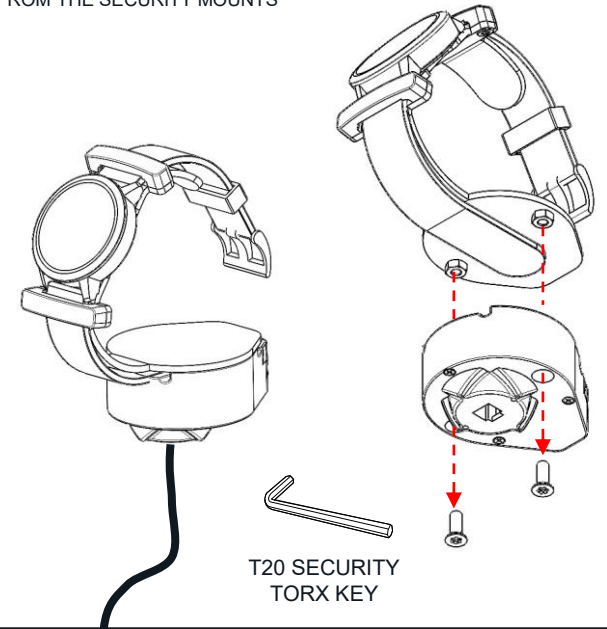
20

RED SUPPORT ARM MUST BE SWUNG INTO POSITION TO SUPPORT TOP PLATE



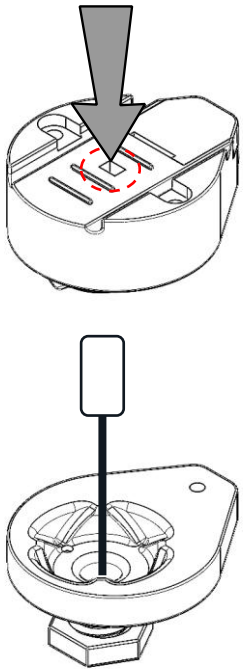
21

REMOVE ANY EXISTING CRADLES FROM THE SECURITY MOUNTS



T20 SECURITY TORX KEY

22

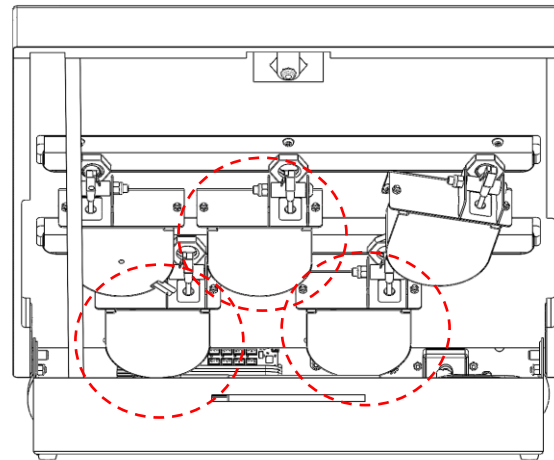


A THIN ALLEN KEY OR SIMILAR NEEDS TO BE INSERTED INTO THE OPENING IN THE TOP OF THE SECURITY MOUNT TO RELEASE THE RECOILER CABLE.

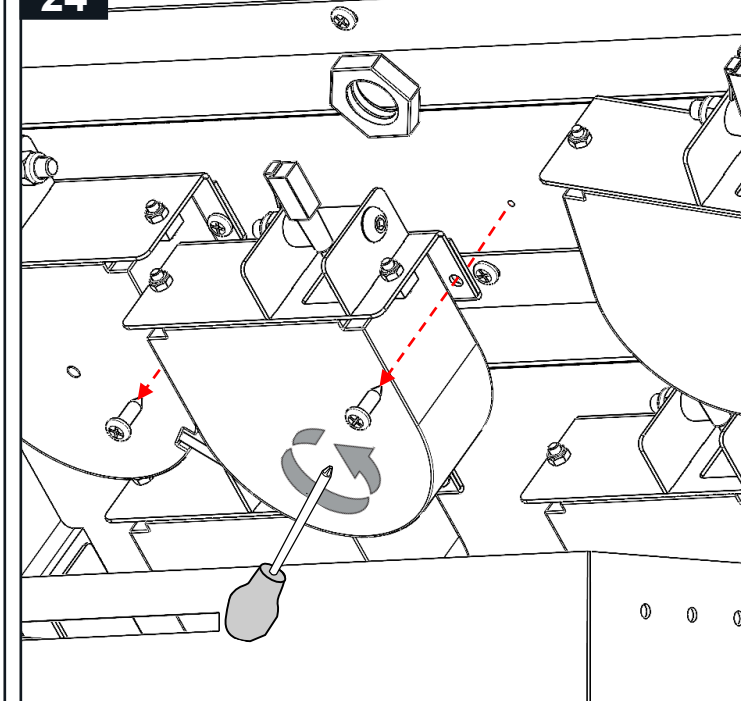


23

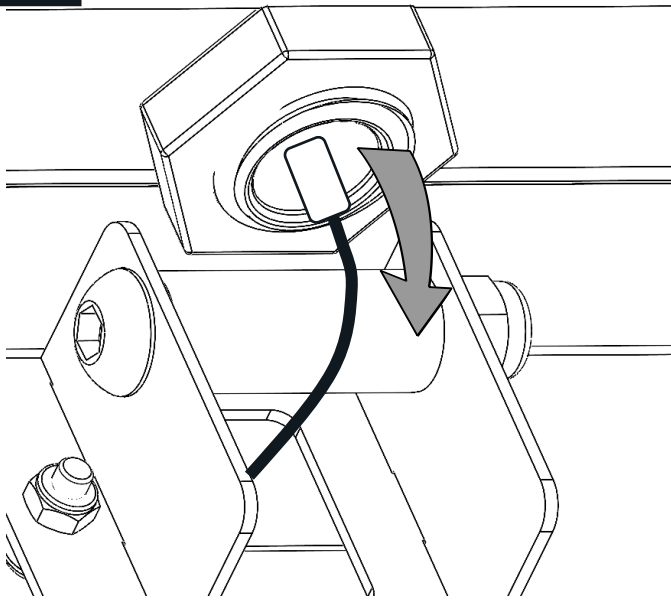
OPTIONAL – REMOVING THE RECOILER ASSEMBLIES CIRCLED MAY MAKE INSTALLING THE MINI PLINTH EASIER



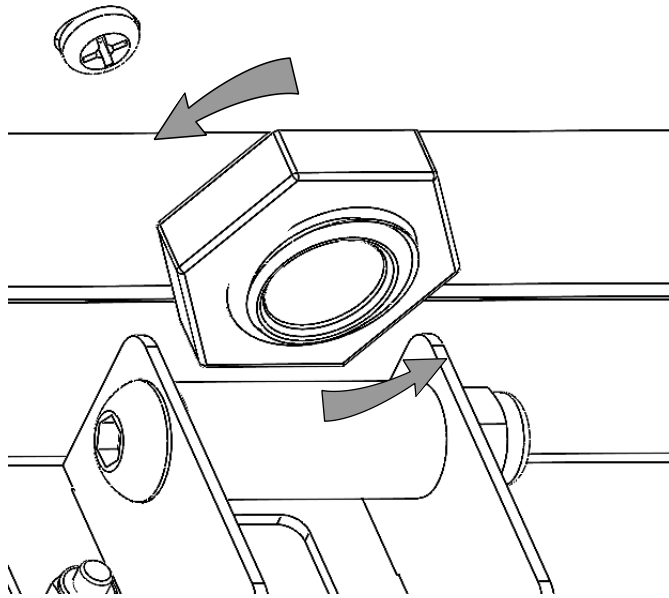
24



25



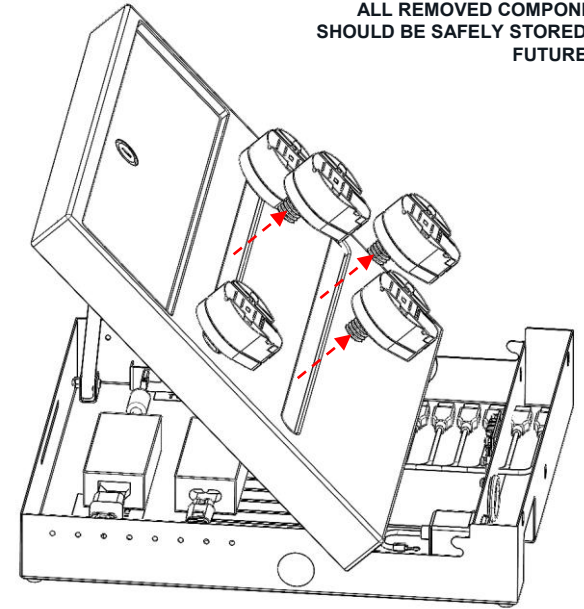
26



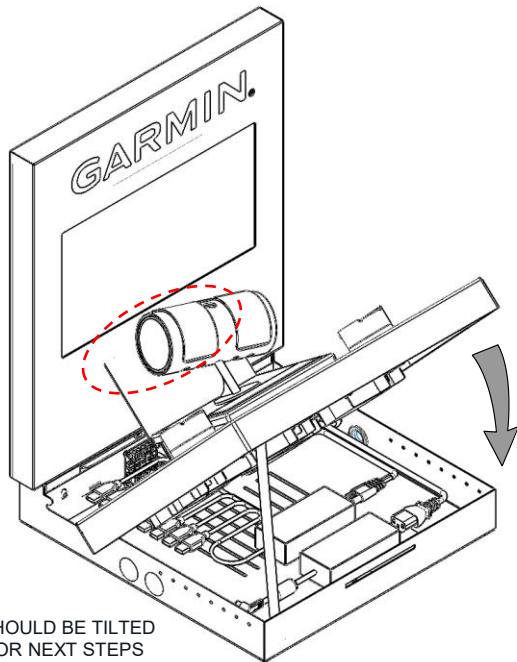
27

REMOVE 3 X SECURITY MOUNTS

ALL REMOVED COMPONENTS SHOULD BE SAFELY STORED FOR FUTURE USE

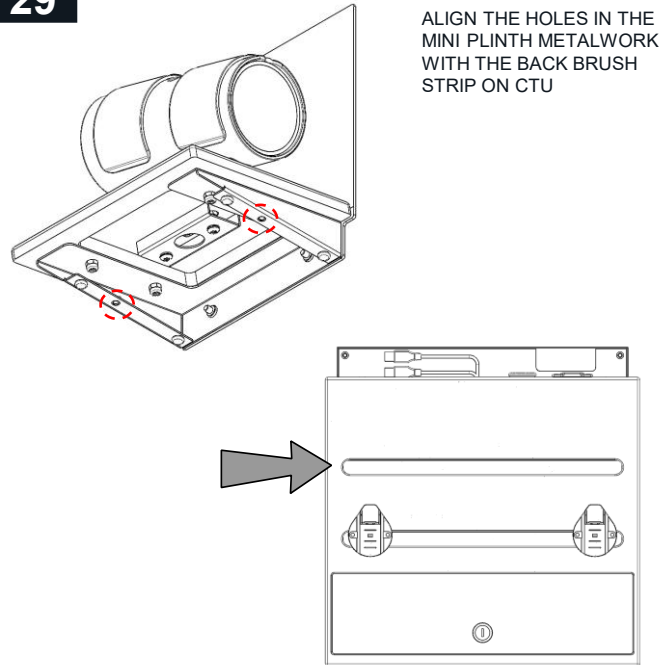


28



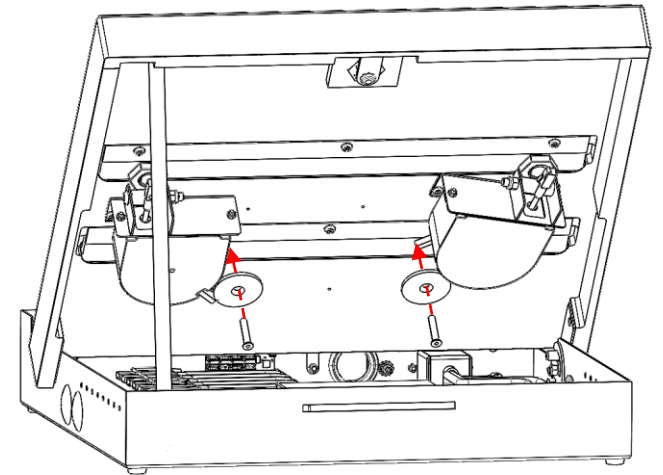
WOOD TOP SHOULD BE TILTED FORWARDS FOR NEXT STEPS OTHERWISE MINI PLINTH GRAPHIC WILL CLASH WITH HEADER

29



ALIGN THE HOLES IN THE MINI PLINTH METALWORK WITH THE BACK BRUSH STRIP ON CTU

30



④ x2

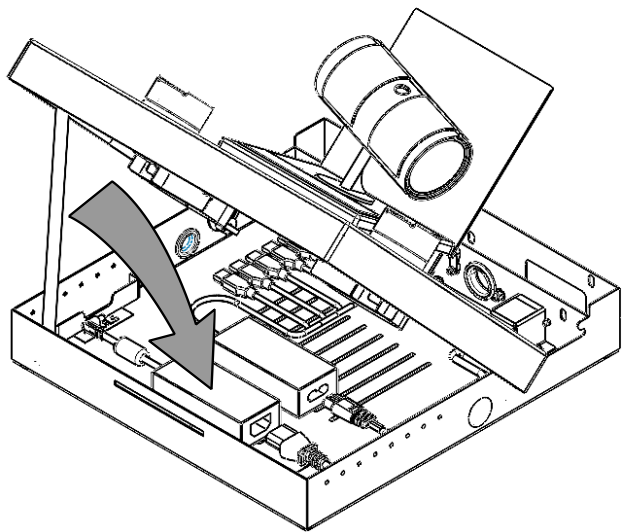
⑤ x2



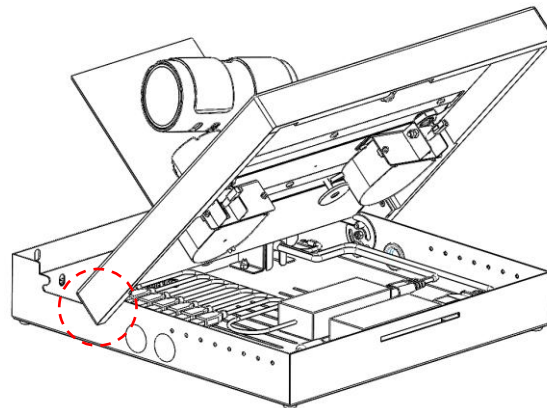
T20 SECURITY TORX KEY

FIT THE SCREWS AND WASHERS THROUGH THE BRUSHSTRIP TO THE MINI PLINTH METALWORK

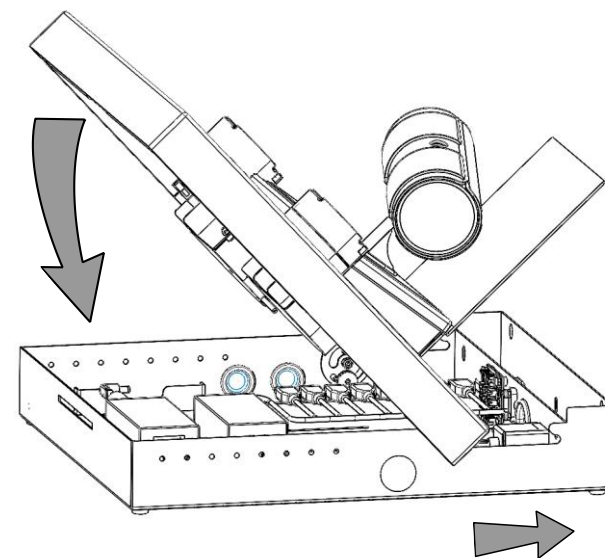
31



32



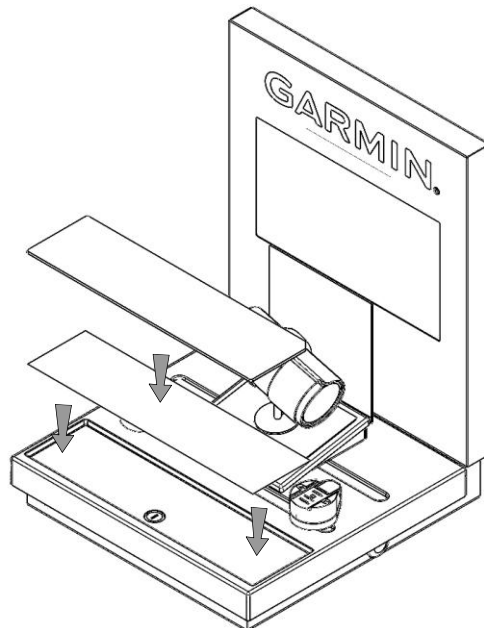
33



34



35



36



ASSETS PAGE – DELETE BEFORE ISSUING OR PRINTING

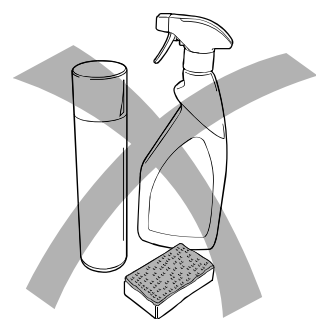
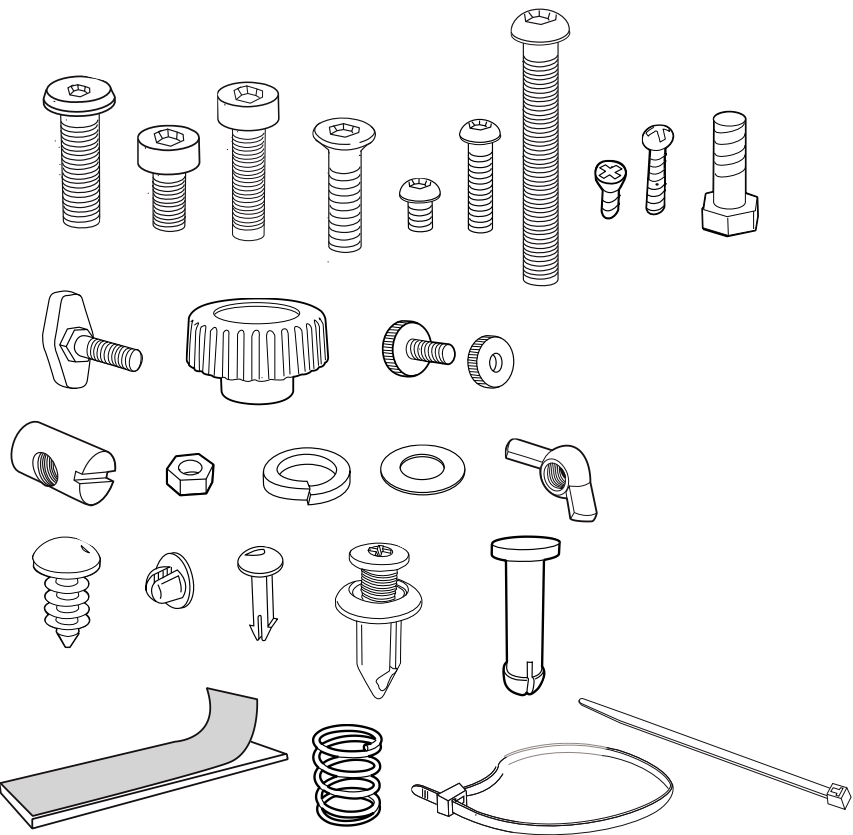
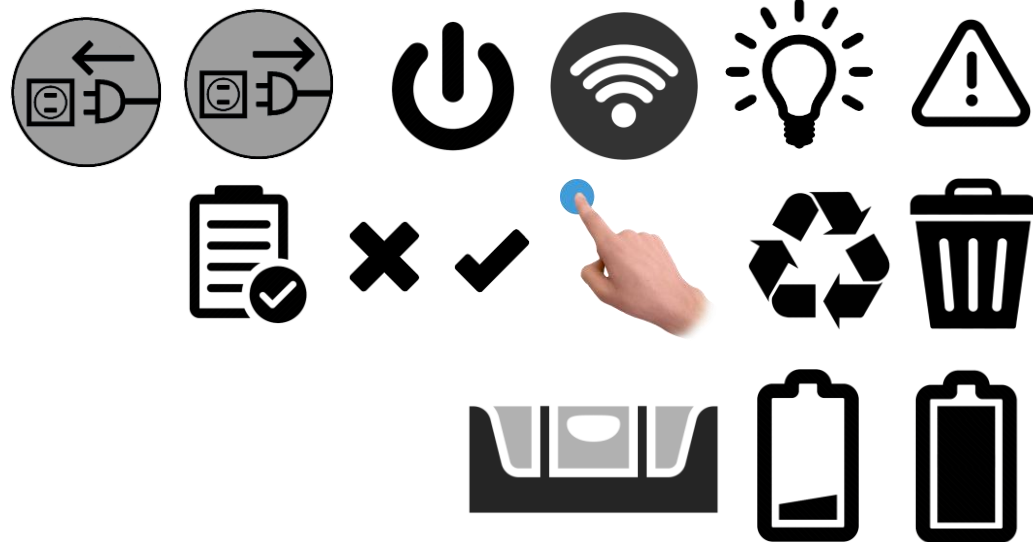
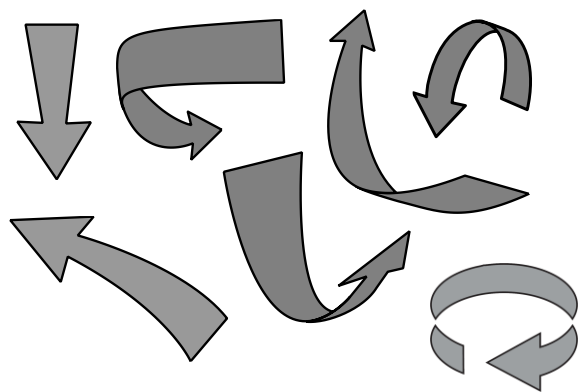
Ⓐ x#

Ⓐ

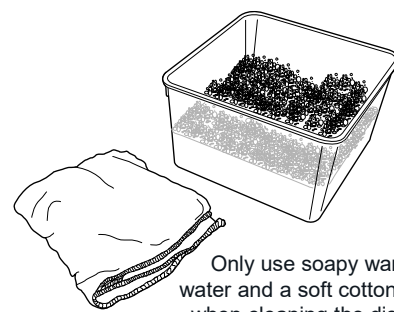
①



Notes



Do NOT use chemical based cleaning products or abrasive cloth's & sponges



Only use soapy warm water and a soft cotton cloth when cleaning the display

