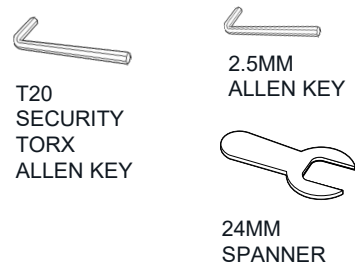


Tools Required (NOT supplied)



Parts

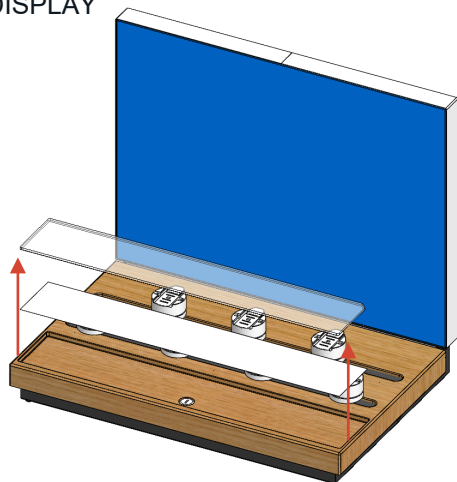
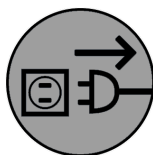
(A) x1
NEW TOP



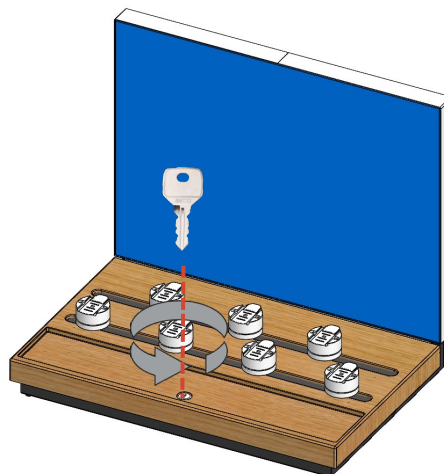
GUIDE SHOWS CTU – 600MM VERSION BUT IS ALSO APPLICABLE FOR CTU – 400MM VERISON.

PLEASE REFER TO INDIVIDUAL STEPS FOR CORRECT UNIT VERSION.

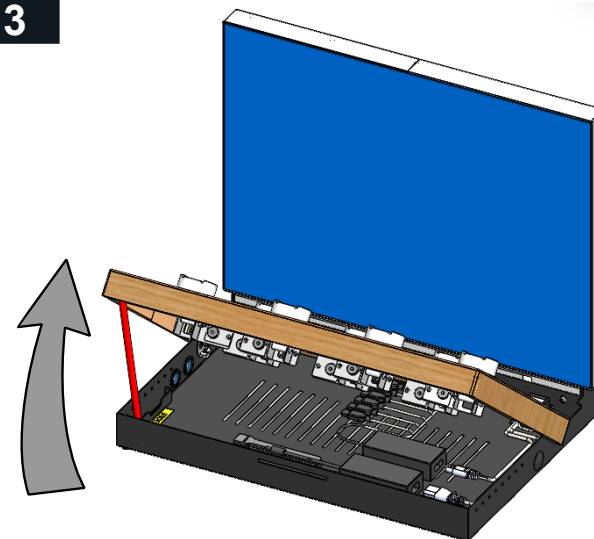
1 UNPLUG DISPLAY



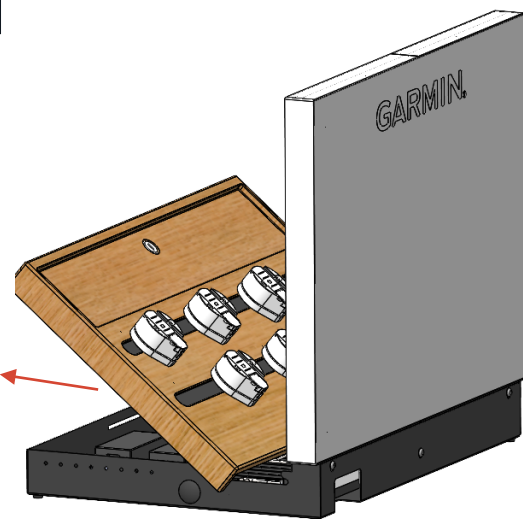
2



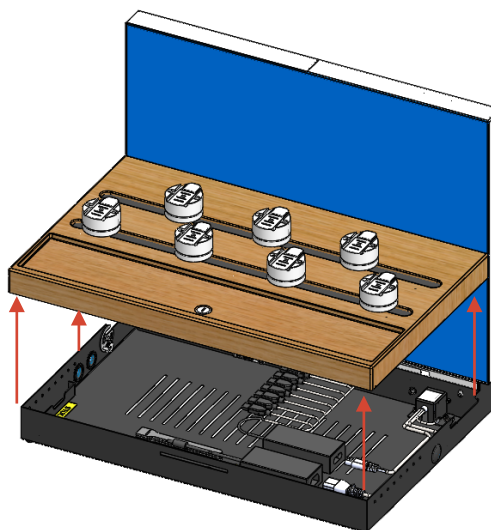
3



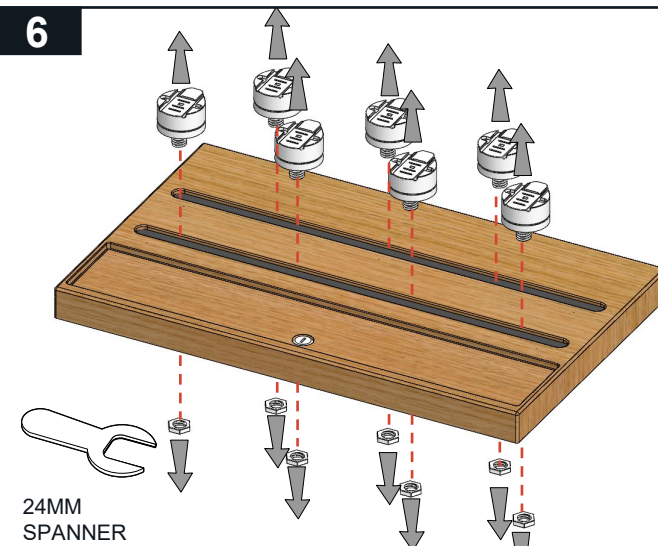
4



5



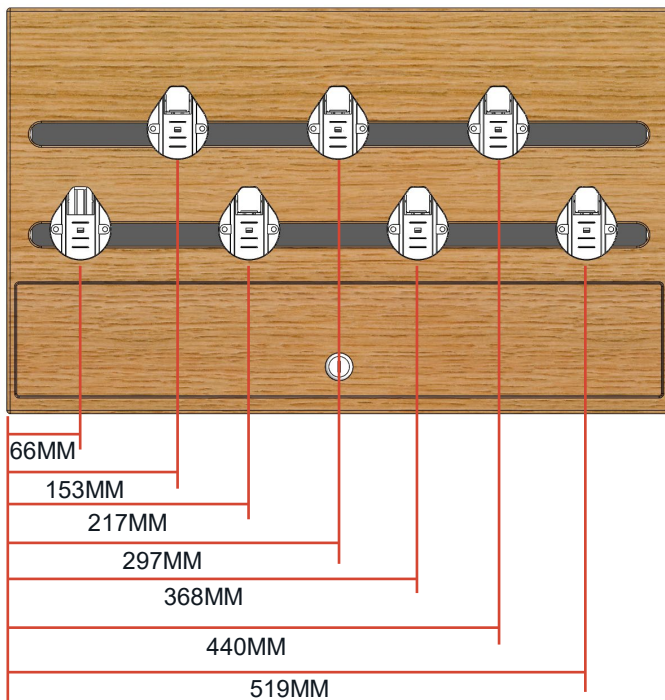
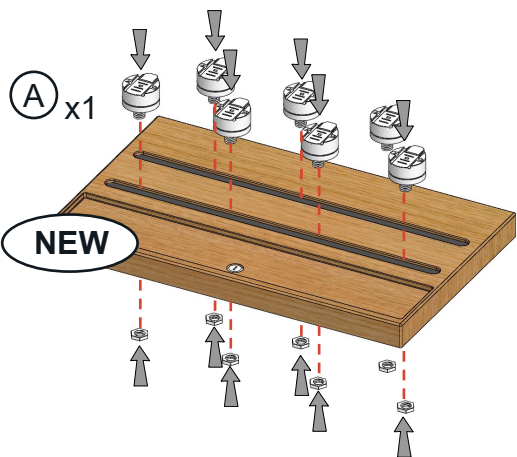
6



7 600 VERSION



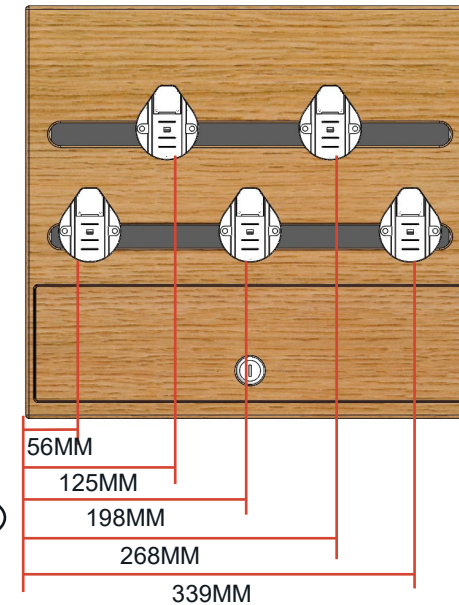
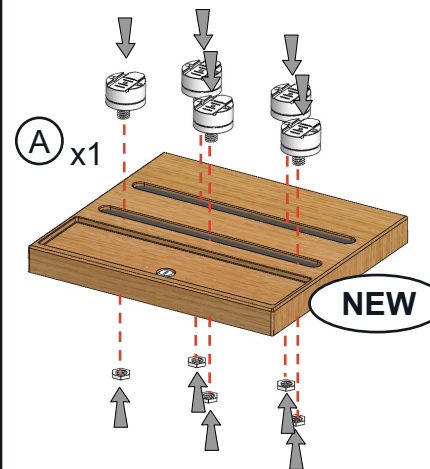
24MM SPANNER



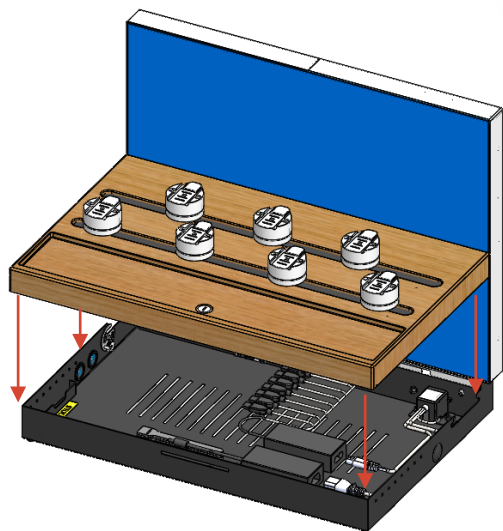
400 VERSION



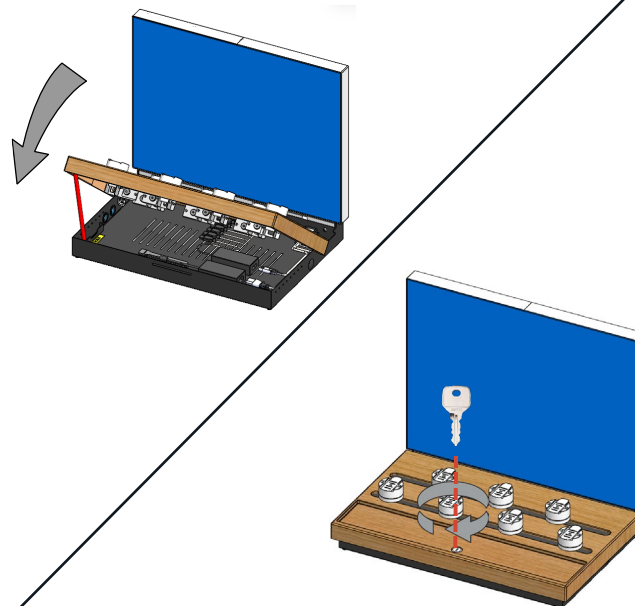
24MM SPANNER



8



9



10

PLUG IN DISPLAY

